

User Guide

M.2 Development Kit (DVK-SU60-2230C)

Version 1.0

REVISION HISTORY

Version	Date	Notes	Approver
1.0	29 July 2017	Initial Release	Jay White

CONTENTS

1. Overview.....	4
1.1 Introduction.....	4
1.2 Package Contents	4
2. M.2 Development Kit – Main Development Board.....	4
1.3 Key Features	5
1.4 Understanding the Development Board	6
3. Functional Blocks.....	7
1.5 Pin Definitions	7
1.5.1 M.2 Key-E Socket.....	7
1.5.2 SDIO-Pin Header	9
1.5.3 PCIe Golden Finger	10
1.6 Power Supply.....	11
1.7 Tact Switch.....	12
1.7.1 PCIE_W_DISABLE_N (SW5).....	13
1.7.2 PDn (SW6).....	13
1.7.3 PMU_EN (SW7).....	14
1.8 4-wire UART Serial Interface	14
1.8.1 UART Mapping.....	14
1.8.2 UART Interface Driven by USB.....	14
1.8.3 UART Interface Driven by External Source	15
1.9 32.768 KHz Oscillator.....	15
1.10 PCM	16
1.11 LTE Coexistence	16
1.12 LED Indicator	17
4. Additional Documentation	17
5. Appendix.....	17

1 OVERVIEW

The Laird M.2 development kit provides a platform for rapid wireless connectivity prototyping, providing multiple options for the development of Wi-Fi applications.

This manual is for Rev. 01 of the development PCB and relates to DVK-SU60-2230C-B0 on the PCB itself. The complete functionality of the development kit hardware requires the use of Laird 50- and 60-series firmware version **v xx.xx.xx** or greater.

Part number: **DVK-SU60-2230C**

Applicable to the following Wi-Fi module part numbers:

SU60-2230C	Dual-Band 802.11ac Wi-Fi + Bluetooth v4.2 combo module
M2SD50NBT	Dual-Band 802.11ac Wi-Fi + Bluetooth v4.0 combo module
M2US50NBT	Dual-Band 802.11ac Wi-Fi + Bluetooth v4.0 combo module

1.1 Introduction

The Laird M.2 development kit is designed to support the rapid development of applications and software for the 50- and 60-series of Wi-Fi modules featuring Laird's innovative event driven programming language – **xxxxxx**. More information regarding this product series including a detailed module user guide are available from the 60 Series product page of the Laird website.

1.2 Package Contents

Each kit contains the following:

Development board	The development board has the required SU60-2230C module installed onto it and exposes all the various hardware interfaces available.
Power options	<ul style="list-style-type: none">▪ USB cable – Type A to micro B. The cable also provides serial communications via the FTDI USB – RS232 converter chip on the development board▪ DC barrel plug with clips for connection to external power supply
IDC cable x?	Supplied to allow simple connection to the ? x ? way pin headers into J20, J21, and J23. The IDC cables are 2.54 mm pitch.
SDIO extension cable	Supplied to allow a simple connection to the SDIO socket
Web link card	Provides links to additional information including the 50- and 60-series user guide, schematics, quick start guides, and firmware release notes.

2 M.2 DEVELOPMENT KIT – MAIN DEVELOPMENT BOARD

This section describes the M.2 development board hardware. The M.2 development board is delivered with the 50- and 60-series modules but no onboard firmware applications.

The M.2 development board is a universal development tool to highlight the capabilities of the 50- and 60-series modules. The development kit is supplied in a default configuration which should be suitable for multiple experimentation options. It also offers a number of pin headers that help to create different configurations for 50- and 60-series modules. This allows you to test different operating scenarios.

The development board allows the 50- and 60-series modules to physically connect to a SDIO host via the supplied SDIO extension cable for development purposes. The development board also provides USB-to-Virtual

COM port conversion through a FTDI chip – part number [FT232R](#). Any Windows PC (XP or later) and Linux PC (Ubuntu xx.xx or Fedora xx.xx) should auto-install the necessary drivers; if your PC cannot locate the drivers, you can download them from <http://www.ftdichip.com/Drivers/VCP.htm>

2.1 Key Features

The M.2 development board has the following features:

- 50- or 60-series module installed on-board
- Power supply options for powering development board from:
 - USB
 - External DC supply
 - SDIO interface
- Regulated 3.3 V for powering the 50- or 60-series modules. Optional regulated 1.8 V for powering the VCCIO for FTDI chip
- USB-to-UART bridge (FTDI chip)
- USB interface for Wifi or BT
- M.2 UART can be interfaced to:
 - USB (PC) using the USB-UART bridge
 - External UART source (using IO break-out connector when development board powered from DC jack or SDIO interface)
- Current measuring options:
 - Pin header (Ammeter)
- IO break-out (2.54 mm pitch headers) connectors interface for plugging-in external modules and accessing all interfaces of the 50- or 60-series modules [UART, LTE coexistence, PCM, GPIO].
- Three buttons and LEDs for user interaction.
- External 32 KHz oscillator for the sleep clock.

2.2 Understanding the Development Board

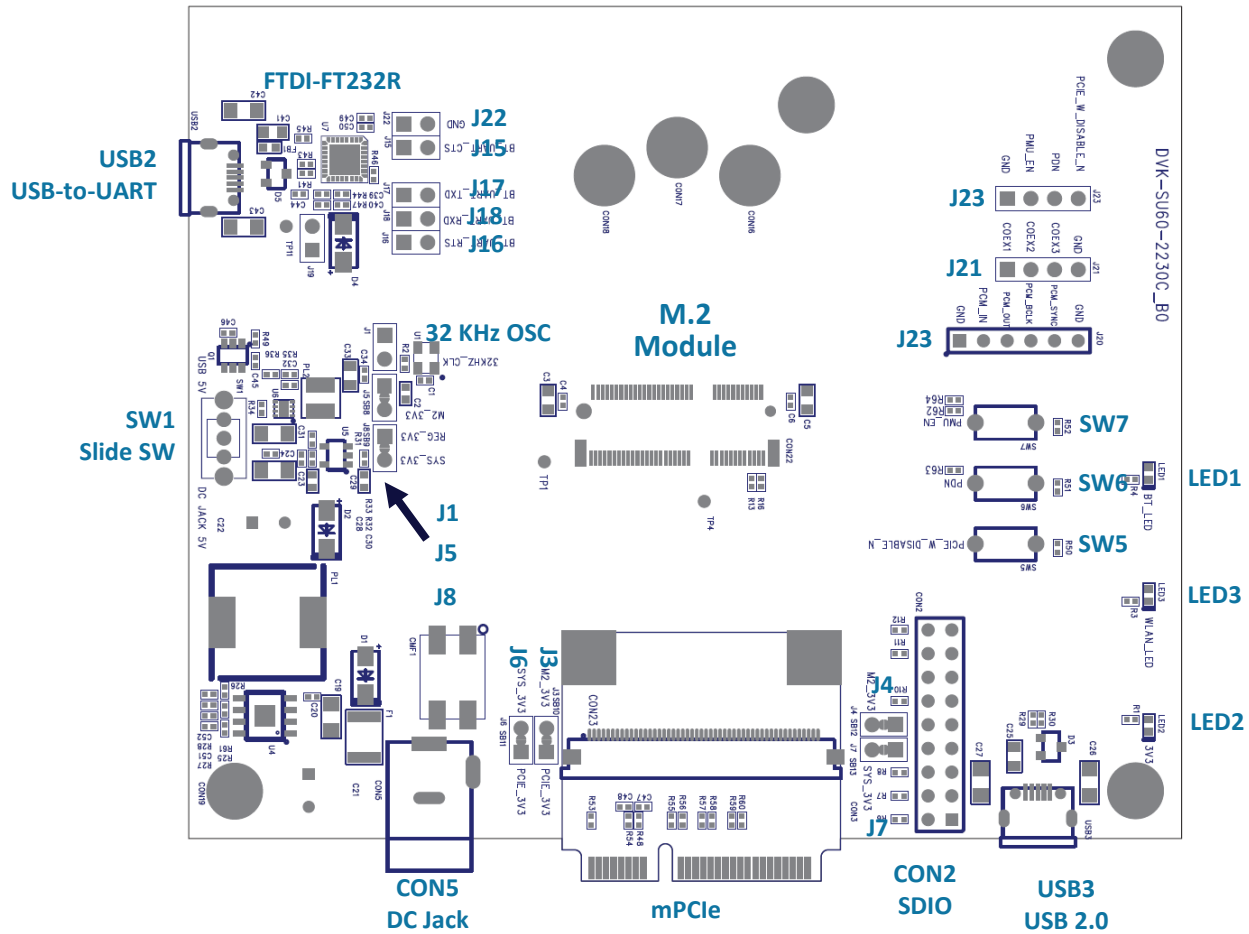


Figure 1: Development board

3 FUNCTIONAL BLOCKS

This section covers the major functional blocks that form the development board.

3.1 Pin Definitions

3.1.1 M.2 Key-E Socket

Table 1: M.2 Key-E socket pins

Pin #	Name	Type	Voltage Ref.	Description	If Not Used
1	GND	-	-	Ground	GND
2	3.3V	Power	-	3.3V module power supply	-
3	USB_D+	I/O	3.3V	USB Differential Data-Positive	N/C
4	3.3V	Power	-	3.3V module power supply	-
5	USB_D-	I/O	3.3V	USB Differential Data-Negative	N/C
6	LED1#	O, PU	3.3V	LED indicator for WLAN with 10mA drive capability	N/C
7	GND	-	-	Ground	GND
8	PCM_CLK	I/O	1.8V	PCM Clock Signal (Optional) Optimal clock used for some codecs. Output if Master mode; Input if Slave mode.	N/C
9	SDIO CLK	I, PU	1.8V	SDIO 4-bit Mode Clock Input	N/C
10	PCM_SYNC	I/O	1.8V	PCM Sync Pulse Signal Output if Master mode; Input if Slave mode.	N/C
11	SDIO CMD	I/O	1.8V	SDIO 4-bit Mode Command/Response	N/C
12	PCM_IN	I	1.8V	PCM Data	N/C
13	SDIO DATA0	I/O, PU	1.8V	SDIO 4-bit Mode DATA line Bit[0]	N/C
14	PCM_OUT	O	1.8V	PCM Data	N/C
15	SDIO DATA1	I/O, PU	1.8V	SDIO 4-bit Mode DATA line Bit[1]	N/C
16	LED2#	O, PU	3.3V	LED indicator for BT with 10mA drive capability.	N/C
17	SDIO DATA2	I/O, PU	1.8V	SDIO 4-bit Mode DATA line Bit[2]	N/C
18	GND	-	-	Ground	GND
19	SDIO DATA3	I/O, PU	1.8V	SDIO 4-bit Mode DATA line Bit[3]	N/C
20	UART WAKE#	N/C	N/C	N/C	N/C
21	SDIO WAKE#	N/C	N/C	N/C	N/C
22	UART TXD	O	1.8V	UART Serial Data Output	N/C
23	SDIO RESET#	N/C	N/C	N/C	N/C
32	UART RXD	I	1.8V	UART Serial Data Input	N/C
33	GND	-	-	Ground	GND
34	UART RTS	O, WPU	1.8V	UART Request-to-Send (Active low)	N/C
35	PERp0	I	1.8V	PCIe Receive Data-Positive	N/C
36	UART CTS	I, PU	1.8V	UART Clear-to-Send (Active low)	N/C
37	PERn0	I	1.8V	PCIe Receive Data-Negative	N/C
38	VENDOR DEFINED38	N/C	N/C	N/C	N/C

Pin #	Name	Type	Voltage Ref.	Description	If Not Used
39	GND	-	-	Ground	GND
40	VENDOR DEFINED40	N/C	N/C	N/C	N/C
41	PETp0	O	1.8V	PCIe Transmit Data-Positive	N/C
42	VENDOR DEFINED42	N/C	N/C	N/C	N/C
43	PETn0	O	1.8V	PCIe Transmit Data-Negative	N/C
44	COEX3	I/O	1.8V	General purpose I/O pin.	N/C
45	GND	-	-	Ground	GND
46	COEX2	O, PD	1.8V	Serial data to external LTE device/	N/C
47	REFCLKp0	I	1.8V	PCIe Differential Clock Input-Positive	N/C
48	COEX1	I, PD	1.8V	Serial data from external LTE device/	N/C
49	REFCLKn0	I	1.8V	PCIe Differential Clock Input-Negative	N/C
50	SUSCLK(32KHz)	I, PU	3.3V	Sleep Clock Input An external sleep clock of 32.768KHz with minimum +/-250ppm is required for power saving mode	-
51	GND	-	-	Ground	GND
52	PERST0#	I, PD	3.3V	PCIe host indication to reset the device (input) (active low)	N/C
53	CLKREQ0#	I/O	3.3V	PCIe clock request (input/output) (active low)	GND
54	W_DISABLE2#	I	3.3V	Enable input for all Regulators inside the sU60-SIPT. Note: DO NOT float this pin. Pull-up to 3.3V with 100K for normal operation.	100K, PU
55	PEWAKE0#	I/O	3.3V	PCIe wake signal (input/output) (active low)	N/C
56	W_DISABLE1# (O)(0/3.3V)	I, PU	3.3V	PCIe host indication to disable the WLAN function of the device (input) (active low)	N/C
57	GND	-	-	Ground	GND
58	I2C DATA (I/O) (0/3.3V)	N/C	N/C	N/C	N/C
59	RESERVED/PETp1	N/C	N/C	N/C	N/C
60	I2C CLK (O)(0/3.3V)	N/C	N/C	N/C	N/C
61	RESERVED/PETn1	N/C	N/C	N/C	N/C
62	ALERT# (I)(0/3.3V)	N/C	N/C	N/C	N/C
63	GND	-	-	Ground	GND
64	RESERVED	N/C	N/C	N/C	N/C
65	RESERVED/PERp1	N/C	N/C	N/C	N/C
66	UIM_SWP/PERST1#	N/C	N/C	N/C	N/C
67	RESERVED/PERn1	N/C	N/C	N/C	N/C
68	UIM_POWER_SNK/CLKREQ1#	N/C	N/C	N/C	N/C
69	GND	-	-	Ground	GND
70	UIM_POWER_SRC/GPIO1/PEWAKE1#	N/C	N/C	N/C	N/C

Pin #	Name	Type	Voltage Ref.	Description	If Not Used
71	RESERVED/REFCLKp1	N/C	N/C	N/C	N/C
72	3.3V	Power	-	3.3V module power supply	-
73	RESERVED/REFCLKn1	N/C	N/C	N/C	N/C
74	3.3V	Power	-	3.3V module power supply	-
75	GND	-	-	Ground	GND
76	GND	-	-	Ground	GND
77	GND	-	-	Ground	GND

3.1.2 SDIO-Pin Header

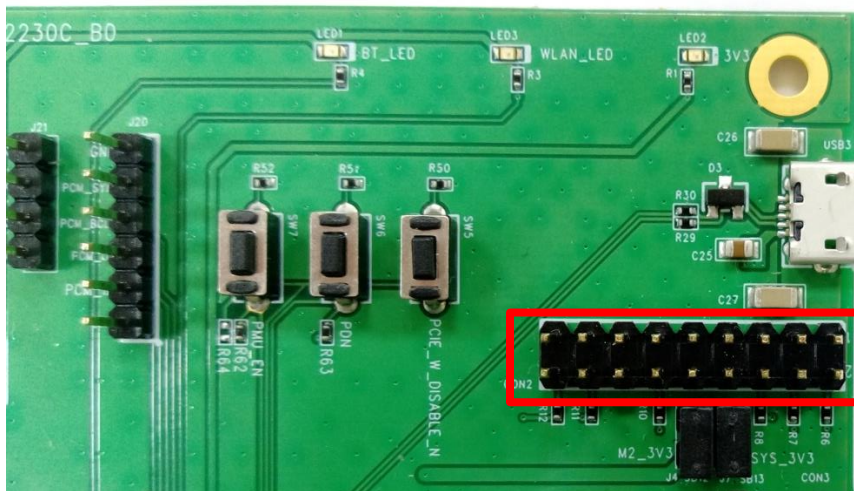


Figure 2: DVK-SU60-2230C SDIO Pin Header

Table 2: SDIO pin header

Pin #	Name	Type	Voltage Ref.	Description	If Not Used
1	GND	-	-	Ground	GND
2	SDIO DATA2	I/O, PU	1.8V	SDIO 4-bit Mode DATA line Bit[2]	N/C
3	GND	-	-	Ground	GND
4	SDIO DATA3	I/O, PU	1.8V	SDIO 4-bit Mode DATA line Bit[3]	N/C
5	GND	-	-	Ground	GND
6	SDIO CMD	I/O	1.8V	SDIO 4-bit Mode Command/Response	N/C
7	GND	-	-	Ground	GND
8	GND	-	-	Ground	GND
9	SDIO_3V3	Power	-	3.3V module power supply	-
10	SDIO_3V3	Power	-	3.3V module power supply	-
11	GND	-	-	Ground	GND
12	SDIO CLK	I, PU	1.8V	SDIO 4-bit Mode Clock Input	N/C
13	GND	-	-	Ground	GND
14	GND	-	-	Ground	GND

Pin #	Name	Type	Voltage Ref.	Description	If Not Used
15	GND	-	-	Ground	GND
16	SDIO DATA0	I/O, PU	1.8V	SDIO 4-bit Mode DATA line Bit[0]	N/C
17	GND	-	-	Ground	GND
18	SDIO DATA1	I/O, PU	1.8V	SDIO 4-bit Mode DATA line Bit[1]	N/C

3.1.3 PCIe Golden Finger

Table 3: PCIe golden finger pins

Pin #	Name	Type	Voltage Ref.	Description	If Not Used
1	PEWAKE0#	I/O	3.3V	PCIe wake signal (input/output) (active low)	N/C
2	PCIE_3V3	Power	-	3.3V module power supply	-
3	-	-	-	-	-
4	GND	-	-	Ground	GND
5	-	-	-	-	-
6	-	-	-	-	-
7	CLKREQ0#	I/O	3.3V	PCIe clock request (input/output) (active low)	GND
8	-	-	-	-	-
9	GND	-	-	Ground	GND
10	-	-	-	-	-
11	REFCLKn0	I	1.8V	PCIe Differential Clock input-Negative	N/C
12	-	-	-	-	-
13	REFCLKp0	I	1.8V	PCIe Differential Clock input-Positive	N/C
14	-	-	-	-	-
15	GND	-	-	Ground	GND
16	-	-	-	-	-
17	-	-	-	-	-
18	GND	-	-	Ground	GND
19	-	-	-	-	-
20	W_DISABLE1#	I, PU	3.3V	PCIe host indication to disable the WLAN function of the device (input) (active low)	N/C
21	GND	-	-	Ground	GND
22	PERST0#	I, PD	3.3V	PCIe host indication to reset the device (input) (active low)	N/C
23	PETn0	O	1.8V	PCIe Transmit Data-Negative	N/C
24	PCIE_3V3	Power	-	3.3V module power supply	-
25	PETp0	O	1.8V	PCIe Transmit Data-Positive	N/C
26	GND	-	-	Ground	GND
27	GND	-	-	Ground	GND
28	-	-	-	-	-
29	GND	-	-	Ground	GND

Pin #	Name	Type	Voltage Ref.	Description	If Not Used
30	-	-	-	-	-
31	PERn0	I	1.8V	PCIe Receive Data-Negative	N/C
32	-	-	-	-	-
33	PERp0	I	1.8V	PCIe Receive Data-Positive	N/C
34	GND	-	-	Ground	GND
35	GND	-	-	Ground	GND
36	USB_D-	I/O	3.3V	USB Differential Data-Negative	N/C
37	GND	-	-	Ground	GND
38	USB_D+	I/O	3.3V	USB Differential Data-Positive	N/C
39	PCIE_3V3	Power	-	3.3V module power supply	-
40	GND	-	-	Ground	GND
41	PCIE_3V3	Power	-	3.3V module power supply	-
42	-	-	-	-	-
43	GND	-	-	Ground	GND
44	LED1#	O, PU	3.3V	LED indicator for WLAN with 10mA drive capability	N/C
45	-	-	-	-	-
46	LED2#	O, PU	3.3V	LED indicator for BT with 10mA drive capability.	N/C
47	-	-	-	-	-
48	-	-	-	-	-
49	-	-	-	-	-
50	GND	-	-	Ground	GND
51	-	-	-	-	-
52	PCIE_3V3	Power	-	3.3V module power supply	-

3.2 Power Supply

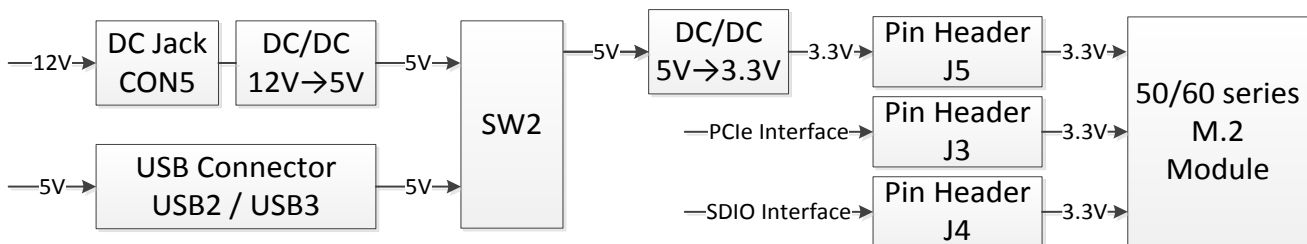


Figure 3: DVK-SU60-2230C power supply

The development board can be powered from a DC 12-volt supply (into DC jack connector CON5), USB (type micro-B connector, USB2/USB3) or the host interface (PCIe or SDIO interface). The power source fed into DC jack is regulated down to 5 volts with an on-board regulator and wire to SW2.

The 5 volts from the USB or the DC jack is regulated down to 3.3 volts with an on-board regulator on the development board. Switch SW2 selects between the regulated 5 volt and USB. The voltage from host interface (PCIe or SDIO interface) is not regulated but is fed directly to M.2 module supply pin.

Default position of SW2 is to select regulated 5 volts.

The development board has a 1.8-volt regulator for the VCCIO of FTDI-Chip.

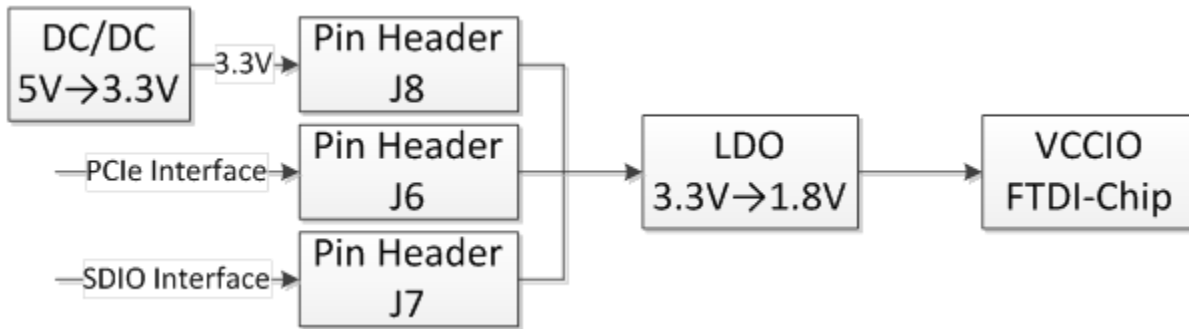


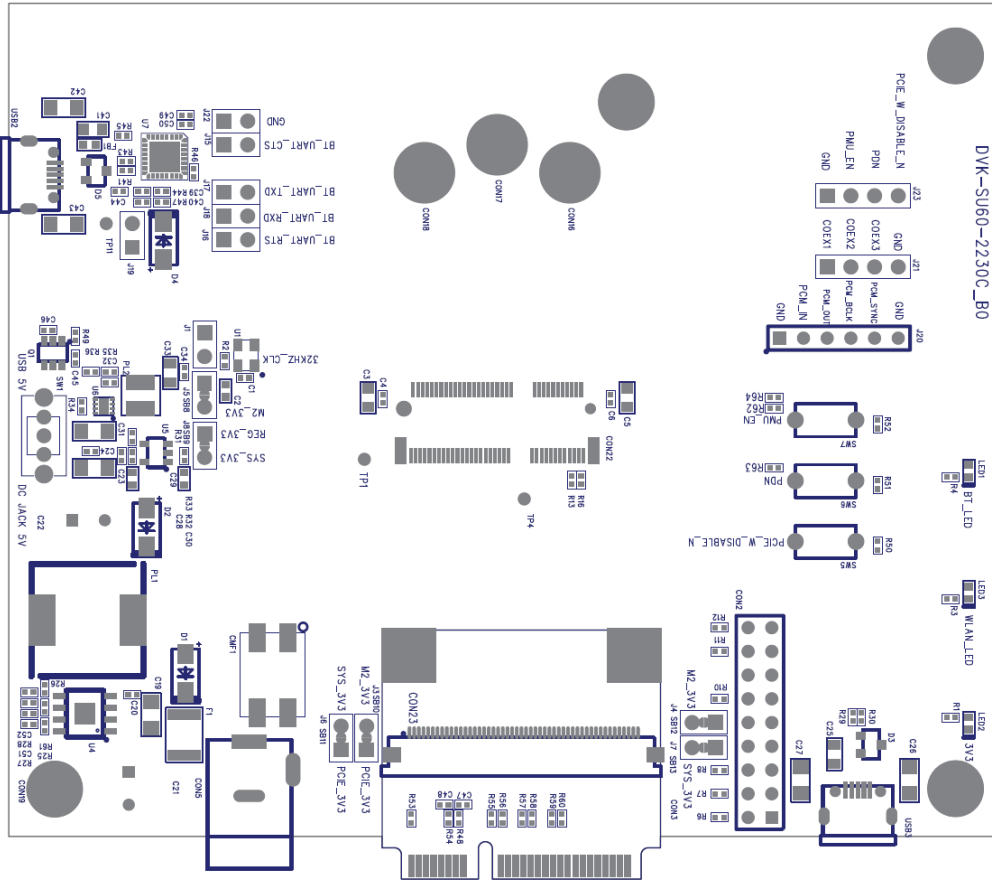
Figure 4: DVK-SU60-2230C power supply for VCCIO of FTDI chip

On the development board, the power domain:

- M2_3V3 supplies the M.2 module only.
- The header connectors (J3, J4, J5) can be used to measure the current of power domain M2_3V3.
- REG_1V8 supplies the FTDI chip IO only.

3.3 Tact Switch

3.3.1 The development board have three tact switches (SW5, SW6, SW7) for optional. To view its location, refer to Figure 1.



PCIE_W_DISABLE_N (SW5)

PCIe host indication to disable the WLAN function of the device (Input) (Active Low)



Figure 5: DVK-SU60-2230C 1.8V power supply

0 – Disable the WLAN

1 – Normal mode

- PCIE_W_DISABLE_N can accept an input of 3.3 volts.
- PCIE_W_DISABLE_N may be driven by the host
- PCIE_W_DISABLE_N must be high for normal operation

An internal pull-up resistor on this pin.

3.3.2 PDn (SW6)

Full Power-Down (Input) (Active Low)

0 – Full power-down mode

1 – Normal mode

- PDn can accept an input of 1.8 volts
- PDn may be driven by the host

- PDn must be high for normal operation

An internal pull-up resistor on this pin.

3.3.3 PMU_EN (SW7)

Enable input for internal PMU (Input) (Active Low).

0 – Disable the input for internal PMU.

1 – Normal mode

- PMU_EN can accept an input of 3.3 volts
- PMU_EN may be driven by the host
- PMU_EN must be high for normal operation

An internal pull-up resistor on this pin.

Note: PCIE_W_DISABLE_N, PDn and PMU_EN were also wired to J23 for optional.

To view its location, refer to [Figure 1](#).

3.4 4-wire UART Serial Interface

The development board provides access to the M.2 module 4-wire UART interface (TX, RX, CTS, RTS) either through USB (via U7 FTDI USB-UART convertor chip) or through a breakout header connector J15, J16, J17 and J18. Refer to [Figure 6](#).

Note: M.2 module provides 4-wire UART interface on the HW.

V_{IH} is from 1.26V to 2.2V; V_{IL} is from -0.4V to 0.54V.

3.4.1 UART Mapping

UART connection on the 50 and 60 series modules and FTDI IC are shown in table below. Refer to [Figure 6](#) to see how the 50 and 60 series module UART is mapped to the breakout header connector (J15, J16, J17 and J18).

Table 4: UART mapping

M.2 Default Function	FTDI IC UART
BT_UART_RXD (output)	RXD
BT_UART_TXD (input)	TXD
BT_UART_CTS (output)	CTS
BT_UART_RTS (input)	RTS

3.4.2 UART Interface Driven by USB

- **USB Connector** – The development kit provides a USB Type micro-B connector (USB2) which allows connection to any USB host device. The connector optionally supplies power to the development kit and the USB signals are connected to a USB to serial convertor device (FT232R).
- **USB-UART** – The development kit is fitted with a (U7) FTDI FT232R USB to UART converter which provides USB-to-Virtual COM port on any Windows PC (XP or later). Upon connection, Windows auto-installs the

required drivers. For more details and driver downloads, visit <http://www.ftdichip.com/Products/FT232R.htm>.

- **UART interface driven by USB FTDI chip** – In normal operation, the M.2 UART interface is driven by the FTDI FT232R USB to UART converter.

3.4.3 UART Interface Driven by External Source

- **UART interface driven by external UART source** – The M.2 module UART interface (TX, RX, CTS, RTS) is presented at a 2.54 mm (0.1 in.) pitch headers (J15, J16, J17 and J18). To allow the M.2 UART interface to be driven from the breakout header connector (J15, J16, J17 and J18):
 - Development board must be powered from DC jack (CON5) and switch SW1 is in position *DC JACK 5V*.

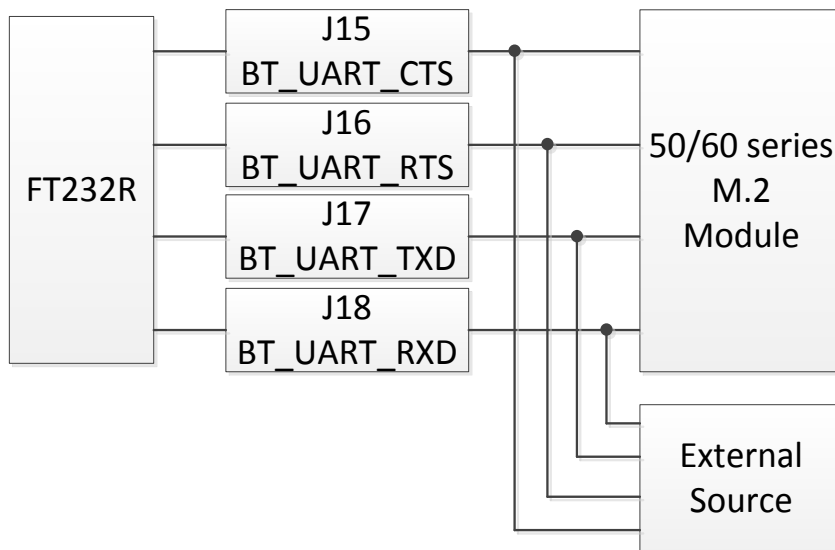


Figure 6: USB to UART Interface and Header to UART interface

3.5 32.768 KHz Oscillator

The development kit is fitted with a (U1) 32.768 KHz oscillator which provides sleep clock to M.2 module. Fit a jumper on J1 to disable the sleep clock, if needed.



Figure 7: Pin header J1

3.6 PCM

The development kit provides the PCM signal on J20.

The pin descriptions of J20 for PCM signal are shown in below table.

Table 5: PCM pins

J20	Description
Pin 1	GND
Pin 2	PCM_IN
Pin 3	PCM_OUT
Pin 4	PCM_BCLK
Pin 5	PCM_SYNC
Pin 6	GNDGND

Note: V_{IH} is from 1.26V to 2.2V; V_{IL} is from -0.4V to 0.54V.

3.7 LTE Coexistence

The development kit provides the LTE coexistence signal on J21.

The pin descriptions of J21 for LTE coexistence signal are shown in below table.

Table 6: LTE coexistence pins

J21	Description
Pin 1	COEX1
Pin 2	COEX2
Pin 3	COEX3
Pin 4	GND

Note: V_{IH} is from 1.26V to 2.2V; V_{IL} is from -0.4V to 0.54V.

3.8 LED Indicator

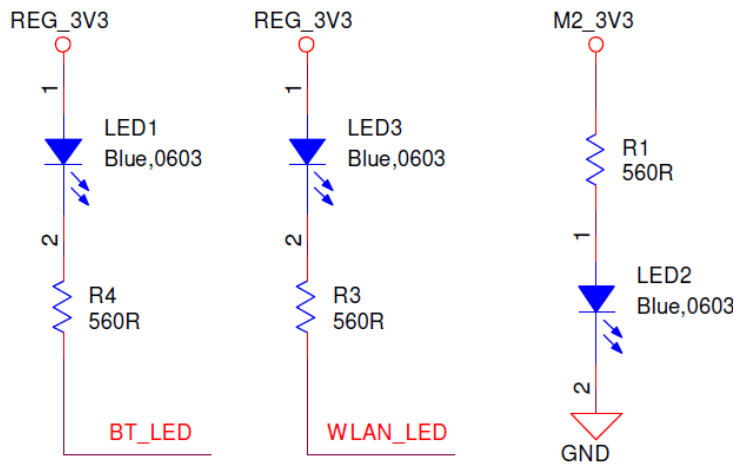


Figure 8: LED indicator

Table 7: LED descriptions

LEDs	Description
LED1	BT status (Active Low)
LED2	3.3V module power
LED3	WLAN status (Active Low)

4 ADDITIONAL DOCUMENTATION

Laird offers a variety of documentation and ancillary information to support our customers through the initial evaluation process and ultimately into mass production. Additional documentation includes:

- DVK-SU60-2230C – User Manual
- DVK-SU60-2230C - Schematics
- 50 and 60 series M.2 Module – User Manual – Hardware Datasheet and Integration Guide

For any additional questions or queries, or to receive local technical support for this Development Kit or for the 50 and 60 series modules, please contact wirelessinfo@lairdtech.com

5 APPENDIX