

D

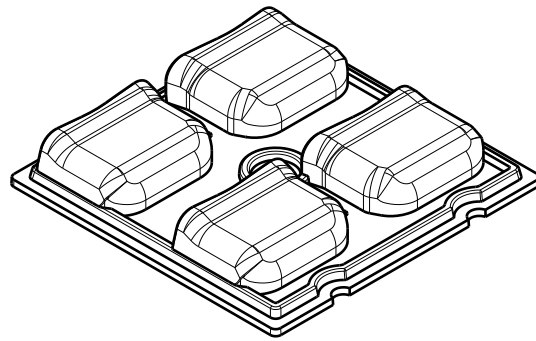
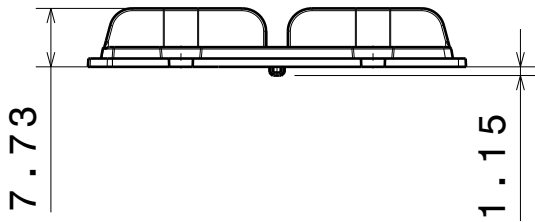
C

B

A

4

4



Front view

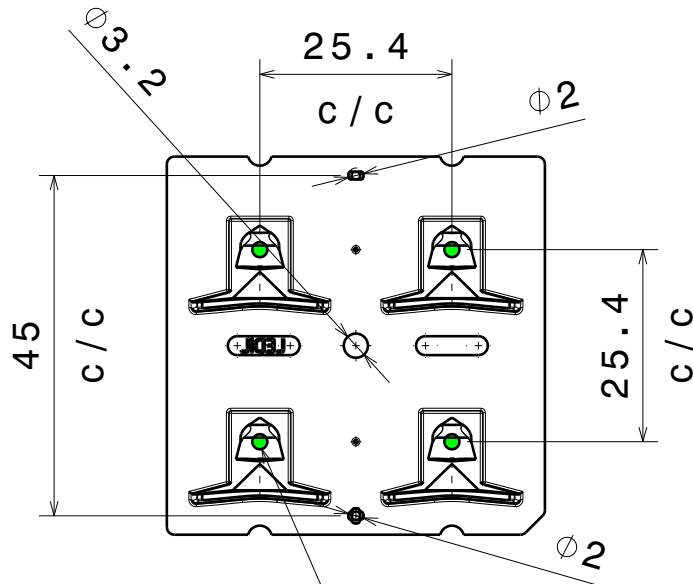
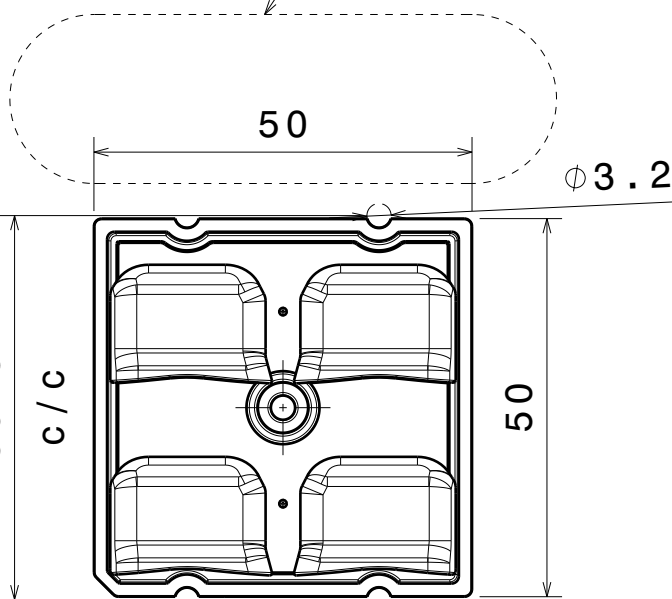
Isometric view

Scale: 1:1

Beam direction

3

3



Top view

Bottom view

LED middle position

2

2

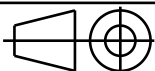
INDEX	PART NO	DESCRIPTION	MATERIAL	COLOUR
1	C15021	STRADA-2X2-SCL	PMMA	

Tolerances if not otherwise shown  
 According to DIN ISO 2768-1  
 Linear measures:  
 up to 30mm class M, otherwise class C  
 According to DIN ISO 2768-2  
 Form and position: class L

**LEDiL**

Ledil Oy  
 Salorankatu 10  
 FIN 24240 SALO  
 Finland

THIRD ANGLE PROJECTION:



DRAWING TITLE

C15021\_STRADA-2X2-SCL

This drawing is the property  
 of LEDiL Oy. It may not be  
 reproduced, copied or  
 communicated without a written  
 agreement with LEDiL Oy.

SIZE PART NUMBER

A4

C15021

SCALE 1:1 WEIGHT 9,35 g SHEET 1/1

D

A

1

1