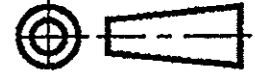


DO NOT SCALE
DIMENSIONS IN mm

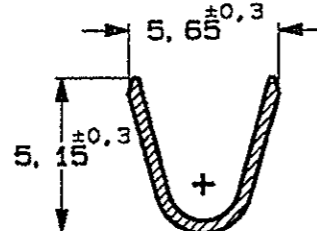
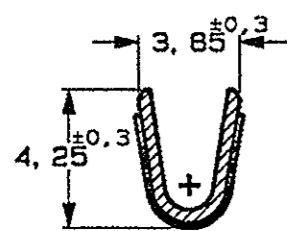
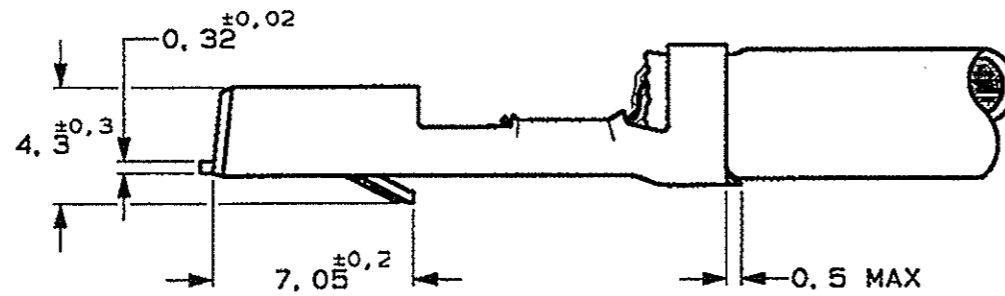
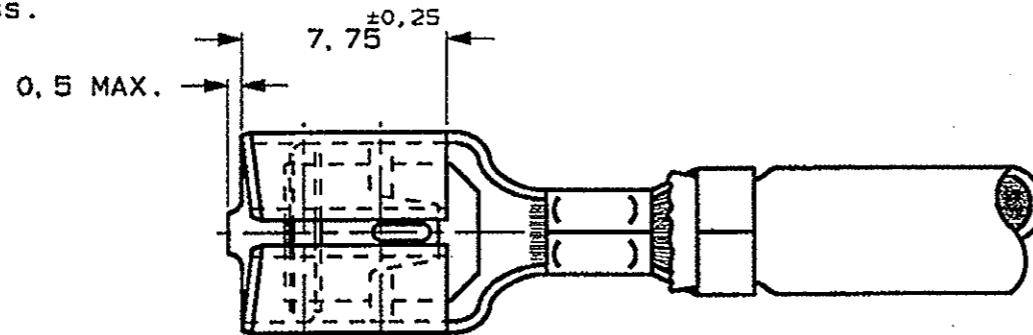
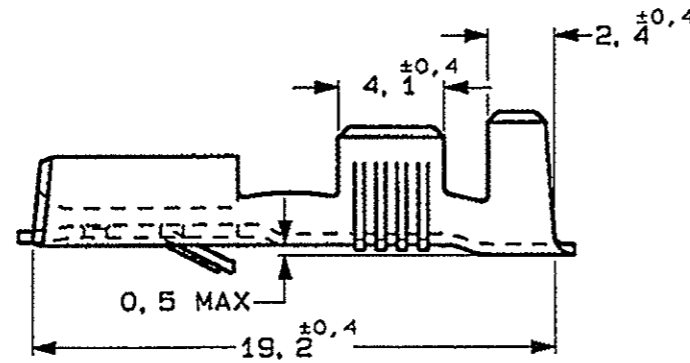
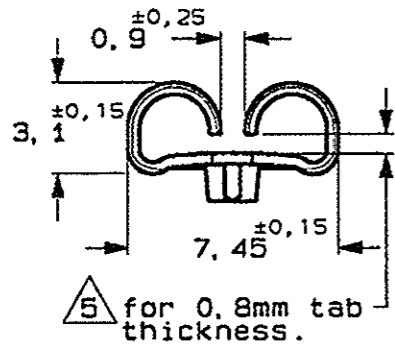
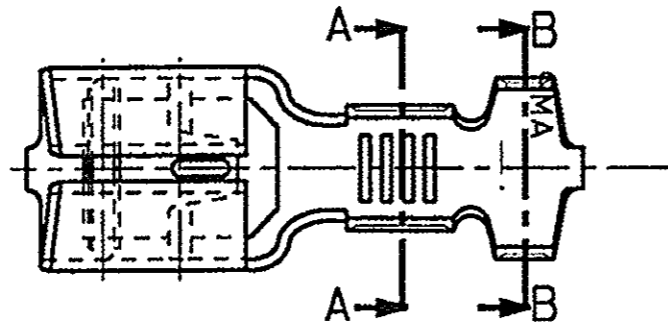
METRIC

THIRD ANGLE
PROJECTION



NOTES

- 1 FOR USE ON MINIATURE APPLICATORS (LEFT-RIGHT FEED) AND STANDARD APPLICATORS (RIGHT-LEFT FEED).
- 2 FOR USE ON MINIATURE APPLICATORS (AMP-O-MATOR APPLICATION). (LEFT-RIGHT FEED).
- 3 BRASS ACC ASTM B36 ALLOY 260.
- 4 PH.BRONZE ACC ASTM B103.
- 5 GAGE 0,71 MUST NOT ENTER, GAGE 0,51 MUST ENTER.



WIRE RANGE :
1,0-2,5 mm²
INSULATION RANGE :
3,4-5,1mm DIA.

DIRECTION OFF TOP OF REEL



SILVER	6-160448-6	BRASS	6-160449-6
TIN	6-160448-5	BRASS	6-160449-5
SILVER	6-160448-3	PH.BRONZE	6-160449-3
TIN	6-160448-2/6--8	PH.BRONZE	6-160449-2
PLAIN	6-160448-1	PH.BRONZE	6-160449-1
PLAIN	6-160448-0/6--7	BRASS	6-160449-0
PLATING	STRIPNUMBER	MATERIAL	PARTNUMBER

CUSTOMER DRAWING FOR REFERENCE ONLY
WILL NOT BE UPDATED

THIS DRAWING IS UNPUBLISHED
RELEASED FOR PUBLICATION



NAME
.250 SRS FASTIN-ON RECEPTACLE.

A2	REVISED PER ECO-11-005140	RK	HMR	31MAR11
LTR.	REVISION RECORD	DR.	CHK.	DATE
DR.:	D. KESSLER	CHK.:	P. BETJON	APP.:
DATE:	19 JAN 95	DATE:	-	DATE:
				L.V.SOEST

DWG.No.	160449	R	REV.LTR.	A2	SHEET	1 OF 1	A3
---------	--------	---	----------	----	-------	--------	----