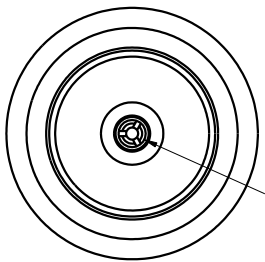
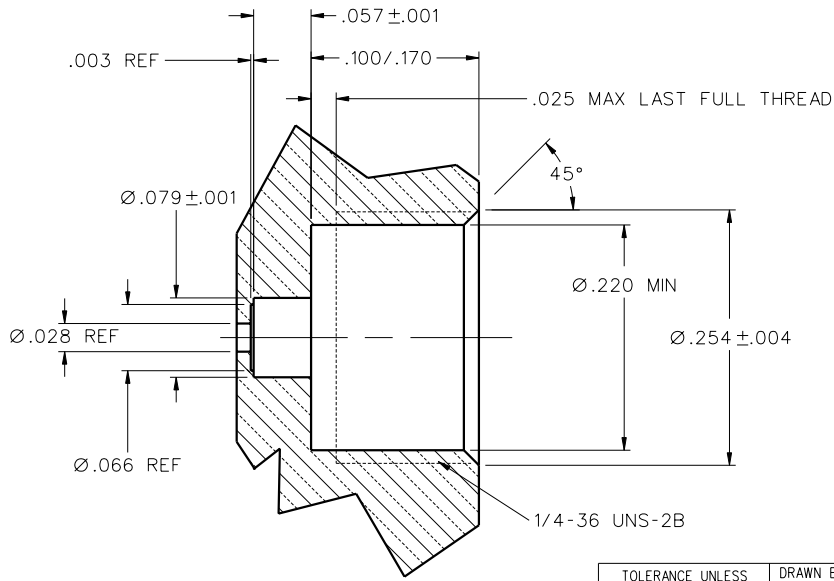
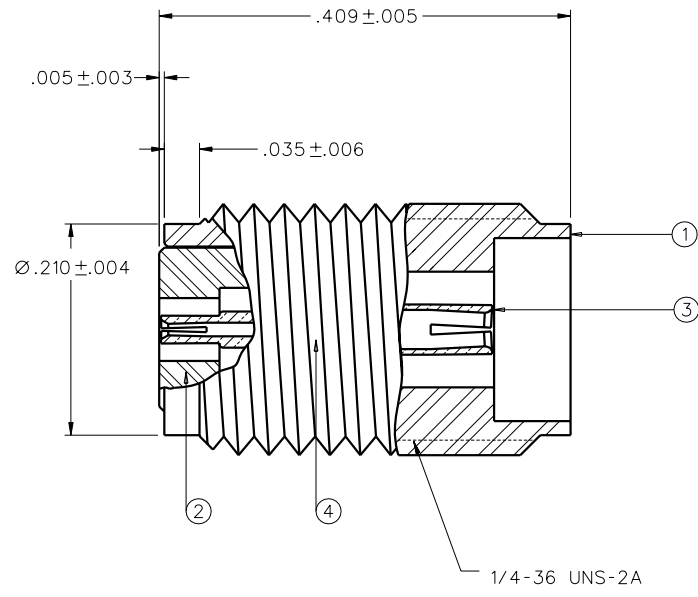


PART NUMBER	ITEM ① BODY	ITEM ② INSERT	ITEM ③ CONTACT	ITEM ④ SUPPORT BEAD
145-0701-001	STAINLESS STEEL GOLD PL .00005 MIN OVER NICKEL PL .00005 MIN	STAINLESS STEEL GOLD PL .00005 MIN OVER NICKEL PL .00005 MIN	BERYLLIUM COPPER GOLD PL .00005 MIN OVER NICKEL PL .00005 MIN OVER COPPER PL .00005 MIN	PPE RESIN
145-0701-002	STAINLESS STEEL PASSIVATE	STAINLESS STEEL PASSIVATE	BERYLLIUM COPPER GOLD PL .00005 MIN OVER NICKEL PL .00005 MIN OVER COPPER PL .00005 MIN	PPE RESIN

DRAWING NO. C - 145-0701-001/010	
0	REVISIONS
ENGINEERING RELEASE	
1	10-08-03 K ECN 49037



SOCKET SHALL ACCEPT
.0120+-.0005 DIA PIN
.080 MAX DEPTH



NOTES:

1. SPECIFICATIONS:
- IMPEDANCE: 50 OHMS
 - FREQUENCY RANGE: 0-40.0 GHz
 - VSWR: DEPENDANT UPON APPLICATION, TYPICALLY 1.22 MAX (F IN GHz)
 - WORKING VOLTAGE: 335 VRMS MAX AT SEA LEVEL
 - DIELECTRIC WITHSTANDING VOLTAGE: 1000 VRMS MIN AT SEA LEVEL
 - INSULATION RESISTANCE: 5000 MEGOHM MIN
 - CONTACT RESISTANCE:
 - CENTER CONTACT - INITIAL 6.0 MILLIOHM MAX, AFTER ENVIRONMENTAL 8.0 MILLIOHM MAX
 - OUTER CONDUCTOR - INITIAL 2.0 MILLIOHM MAX, AFTER ENVIRONMENTAL NOT APPLICABLE
 - BRAID TO BODY - NOT APPLICABLE
 - CORONA LEVEL: 250 VOLTS MIN AT 70,000 FEET
 - INSERTION LOSS: DEPENDANT UPON APPLICATION, TYPICALLY < .06√F (F IN GHz)
 - RF LEAKAGE: -90 dB MIN AT 2.5 GHz
 - RF HIGH POTENTIAL WITHSTANDING VOLTAGE: 670 VRMS MIN AT 4 AND 7 MHZ
- MECHANICAL:
- ENGAGE/DISENGAGE TORQUE: 2 INCH-POUNDS MAX
 - MATING TORQUE: 7-10 INCH POUNDS
 - COUPLING PROOF TORQUE: NOT APPLICABLE
 - COUPLING NUT RETENTION: NOT APPLICABLE
 - CONTACT RETENTION: 6 LBS MIN AXIAL FORCE
 - CABLE ACCEPTABILITY: NOT APPLICABLE
 - CABLE HEX CRIMP SIZE: NOT APPLICABLE
 - CABLE RETENTION: NOT APPLICABLE
 - DURABILITY: 500 CYCLES MIN

- ENVIRONMENTAL:
- (MEETS OR EXCEEDS THE APPLICABLE PARAGRAPH OF MIL-C-39012)
 - THERMAL SHOCK: MIL-STD-202, METHOD 107, CONDITION B
 - OPERATING TEMPERATURE: -65 DEG C TO 165 DEG C
 - CORROSION: MIL-STD-202, METHOD 101, CONDITION B
 - SHOCK: MIL-STD-202, METHOD 213, CONDITION I
 - VIBRATION: MIL-STD-202, METHOD 204, CONDITION D
 - MOISTURE RESISTANCE: MIL-STD-202, METHOD 106

MOUNTING HOLE

REF DIMENSIONS PENDING CUSTOMER APPLICATION
RECOMMENDED SEAL PIN: JOHNSON 142-1000-033

THIS DRAWING TO BE INTERPRETED PER ANSYS 14.5M - 1982

"μ STATION"

COMPANY CONFIDENTIAL

TOLERANCE UNLESS OTHERWISE SPECIFIED		DRAWN BY T.A.Kari	DATE 10-3-03		<small>Cinch Connectivity Solutions 299 Johnson Ave. Ste. 100 Waseca, MN 56093 1-800-247-8256</small>	
DECIMALS .XX	mm	CHECKED BY	DATE		TITLE SMK (2.92mm) JACK ASSEMBLY, THREAD MOUNT, FIELD REPLACEABLE, .012 SEAL PIN	
.XXX +-.003		APPROVED BY	DATE	CODE NO.	DRAWING NO. C - 145-0701-001/010	
MATL		APPROVED BY T.A.Kari	DATE 10-3-03	RELEASE DATE	SCALE 10:1	
FINISH					U/M INCH	
					SHEET 2 OF 2	