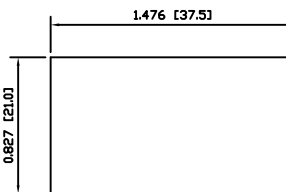
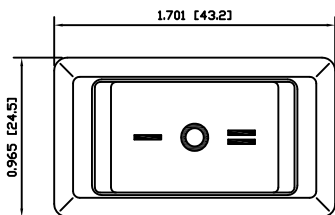


SUGGESTED PANEL CUTOUT



MATERIALS

- BODY:  
Polyamide 6/6 (PA66), UL94 V-2
- ACTUATOR:  
Polyamide 6/6 (PA66), UL94 V-2
- SEALING MEMBRANE:  
Polyvinyl Chloride (PVC)
- SPRING:  
Piano Wire
- MOBILE CONTACT BAR:  
Copper
- CONTACT PADS:  
Silver Clad Copper
- RIVETS:  
Copper
- TERMINALS:  
Brass  
UL1015 12AWG Welded  
Heat Shrink Tubing

SPECIFICATIONS

- FUNCTION:  
2P2T ON-OFF-ON
- RATINGS:  
ANSI/UL 508 and CAN/CSA C22.2 No.14 (E195908):  
20A 125VAC [cURus]  
15A 277VAC [cURus]  
2HP 110/250VAC [cURus]
- CONTACT RESISTANCE:  
Initial: 10mΩ Max.
- ELECTRICAL LIFE:  
6,000 Cycles [cURus]
- TEMPERATURE:  
Operating: 0°C to 40°C [cURus]
- INGRESS PROTECTION:  
IP54

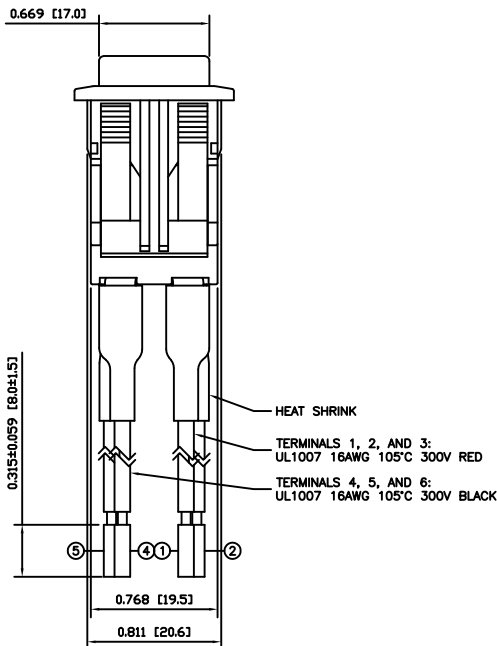
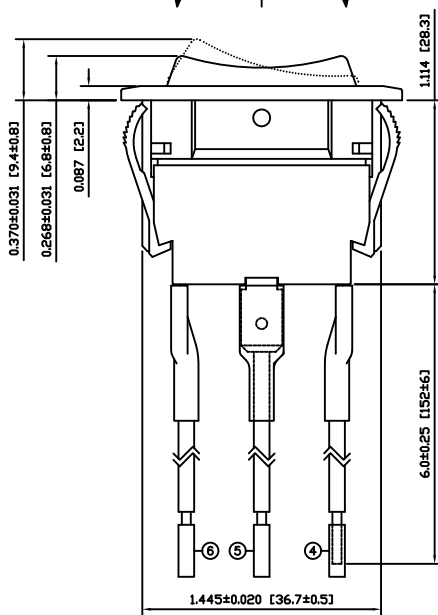
APPROVALS:



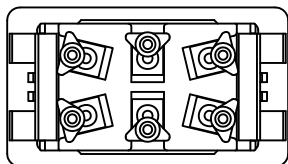
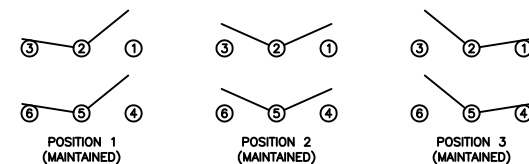
COLORS AND MARKINGS

- BODY COLOR:  
Black
- ACTUATOR COLOR:  
Black
- MARKING:  
I/O/II Vertical (9)
- MARKING COLOR:  
White

POSITION 3 POSITION 2 POSITION 1



SCHEMATIC



|                |      |          |     |
|----------------|------|----------|-----|
| ACTUATOR       | B    | 10/05/26 | CAB |
| BODY           | A    | 11/03/07 | CAB |
| COLORS         | A    | 09/12/09 | CAB |
| MATERIALS      | A    | 10/05/26 | CAB |
| SPECIFICATIONS | C    | 10/03/01 | CAB |
| REFERENCE      | REV. | DATE     | BY  |

THE INFORMATION CONTAINED IN THIS DOCUMENT IS PROPRIETARY TO E-SWITCH AND IS NOT TO BE COPIED OR TRANSFERRED

|      |   |       |          |          |
|------|---|-------|----------|----------|
| B    | CORRECTED STRIP LENGTH FROM 11MM TO 8MM | 19741 | 11/03/07 | CAB      |
| A    | INITIAL RELEASE                         | 19667 | 11/02/24 | CAB      |
| REV. | DESCRIPTION                             | PCR   | DATE     | DRAWN BY |

|                      |            |
|----------------------|------------|
| DIMENSIONS           |            |
| INCHES [MILLIMETERS] |            |
| GENERAL TOLERANCES   |            |
| ±0.008 [±0.2] / ±1'  |            |
| SCALE                | PROJECTION |
| DRAWING NOT TO SCALE | 1st Angle  |

|                              |                 |               |          |
|------------------------------|-----------------|---------------|----------|
|                              |                 |               |          |
| TITLE<br><b>RVWW066D112S</b> |                 |               |          |
| SCALE                        | ITEM NUMBER     | DATE          | REVISION |
| DRAWING NOT TO SCALE         | 34-RVWW066D112S | MARCH 7, 2011 | B        |