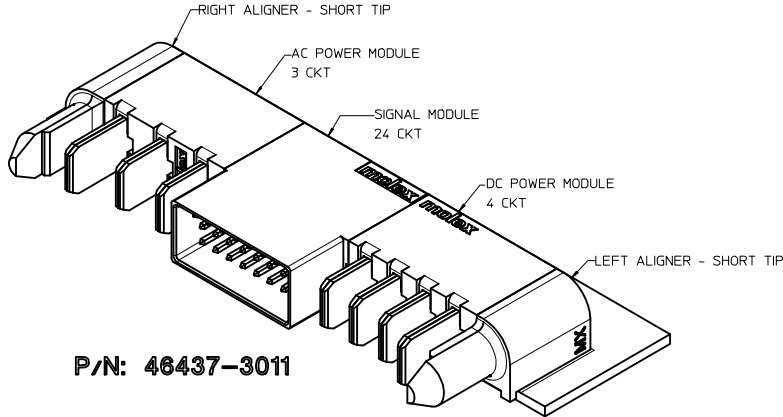
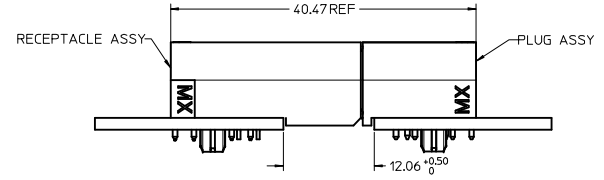
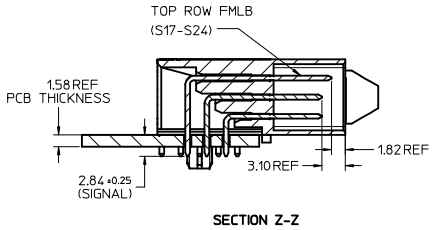
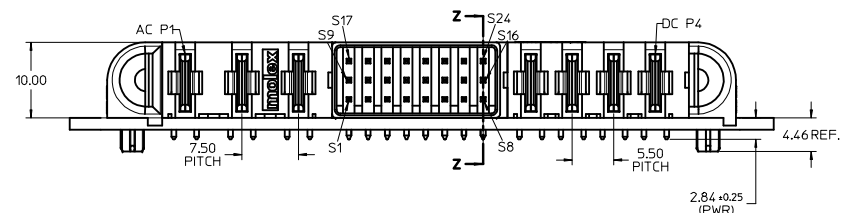


RECOMMENDED PCB LAY-OUT AND KEEP-OUT ZONE



NOTES:

- MATERIAL:
 - HOUSINGS: LCP UL94, V-0, COLOR: BLACK.
 - TERMINALS: COPPER ALLOY.
 - PLATING: 0.00127 NICKEL OVERALL WITH 0.00254 SELECTIVE TIN ON SOLDER TAILS AND 0.000762 SELECTIVE GOLD ON CONTACT AREA.
- ASSEMBLIES PACKED IN TRAYS; SPO: TR0
- PC BOARD REQUIRES SOLDER THRU HOLES. REFER TO PS-46436-100 FOR DETAILS
- PRODUCT SPEC: PS-46436-100.
- APPLICATION SPEC: AS-46436-100.
- PRODUCT TO MEET RoHS REQUIREMENTS.
- ASSEMBLY MATES TO MOLEX RECEPTACLE ASSEMBLY P/N 46436-3011 OR 46562-3011.

RELEASED EC NO: UCP2009-2546 DRWN: JUILLES 2009/05/05 CHKD: KJOH 2009/05/05 APPR: APATEL 2009/05/05	QUALITY SYMBOLS	GENERAL TOLERANCES (UNLESS SPECIFIED)	DIMENSION STYLE MM ONLY	SCALE NTS	DESIGN UNITS METRIC	THIRD ANGLE PROJECTION
		mm INCH	DRAWN BY KJKOH	DATE 2009/03/11	TITLE RA PLUG ASSY TEN60 POWER G-3AC-24S-4P-G	
		4 PLACES ± --- ± ---	CHECKED BY KJKOH	DATE 2009/03/11	MOLEX MOLEX INCORPORATED	
		3 PLACES ± --- ± ---	APPROVED BY SHONG	DATE	MATERIAL NO. 46437-3011	DOCUMENT NO. SD-46437-311
		2 PLACES ± 0.13 ± ---				
		1 PLACE ± 0.25 ± ---				
		ANGULAR ± 1/2°				
		DRAFT WHERE APPLICABLE MUST REMAIN WITHIN DIMENSIONS	SIZE 1	THIS DRAWING CONTAINS INFORMATION THAT IS PROPRIETARY TO MOLEX INCORPORATED AND SHOULD NOT BE USED WITHOUT WRITTEN PERMISSION		