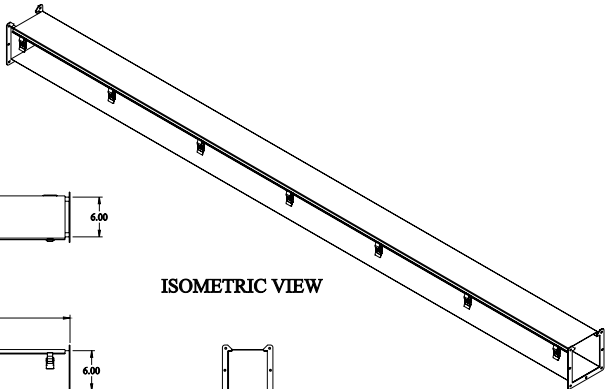


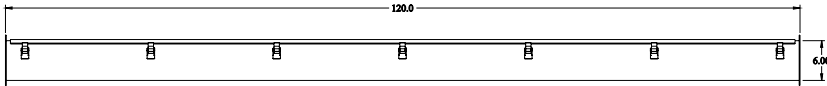
 **PART No. 1485D120**  
for more information visit  
[www.hamming.com](http://www.hamming.com)  
Data subject to change without notice  
Isometric drawing Not to Scale



ISOMETRIC VIEW



TOP VIEW



FRONT VIEW



BOTTOM VIEW



SIDE VIEW



SIDE VIEW