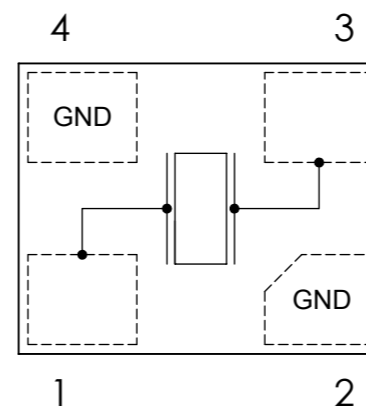
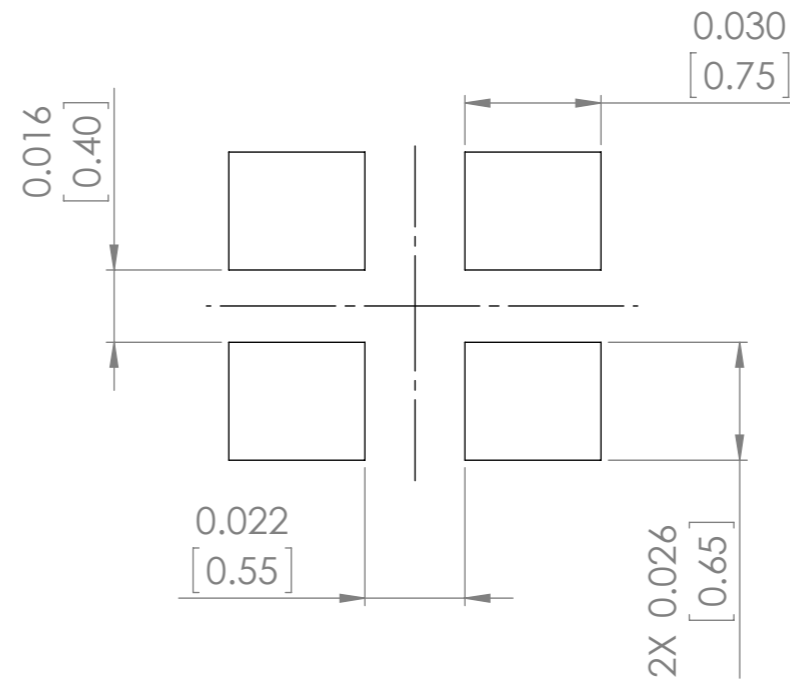
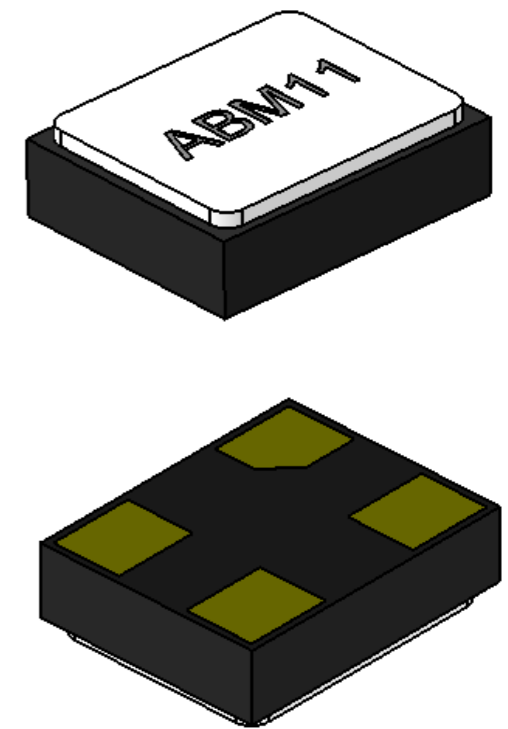


Recommended Land Pattern




Top View



TOP PACKAGE MARKING IS FOR ILLUSTRATION PURPOSES ONLY

Note:
Due to the availability of raw materials, this part may be manufactured with the chamfer on pin 1 or 4. Be advised that this does not affect the electrical characteristics of crystal in any way.

UNLESS OTHERWISE SPECIFIED: DIMENSIONS ARE IN INCH(MM) SURFACE FINISH: TOLERANCES: LINEAR: ANGULAR:				FINISH:		DEBUR AND BREAK SHARP EDGES		DO NOT SCALE DRAWING		REVISION -	
DRAWN SAAZVAT				SIGNATURE		DATE		 30332 Esperanza, Rancho Santa margarita, California 92688			
CHK'D XXXXXX											
APPV'D								TITLE: SMD Crystal			
MFG								DWG NO. ABM11			
Q.A						MATERIAL:		SCALE:24:1			
						WEIGHT:		SHEET 1 OF 1			