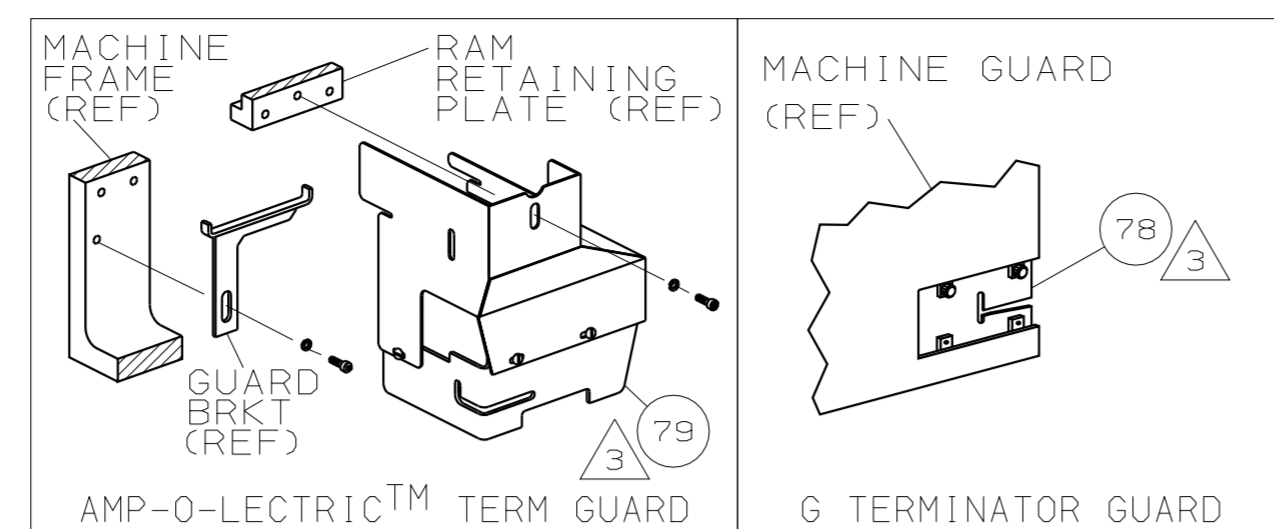
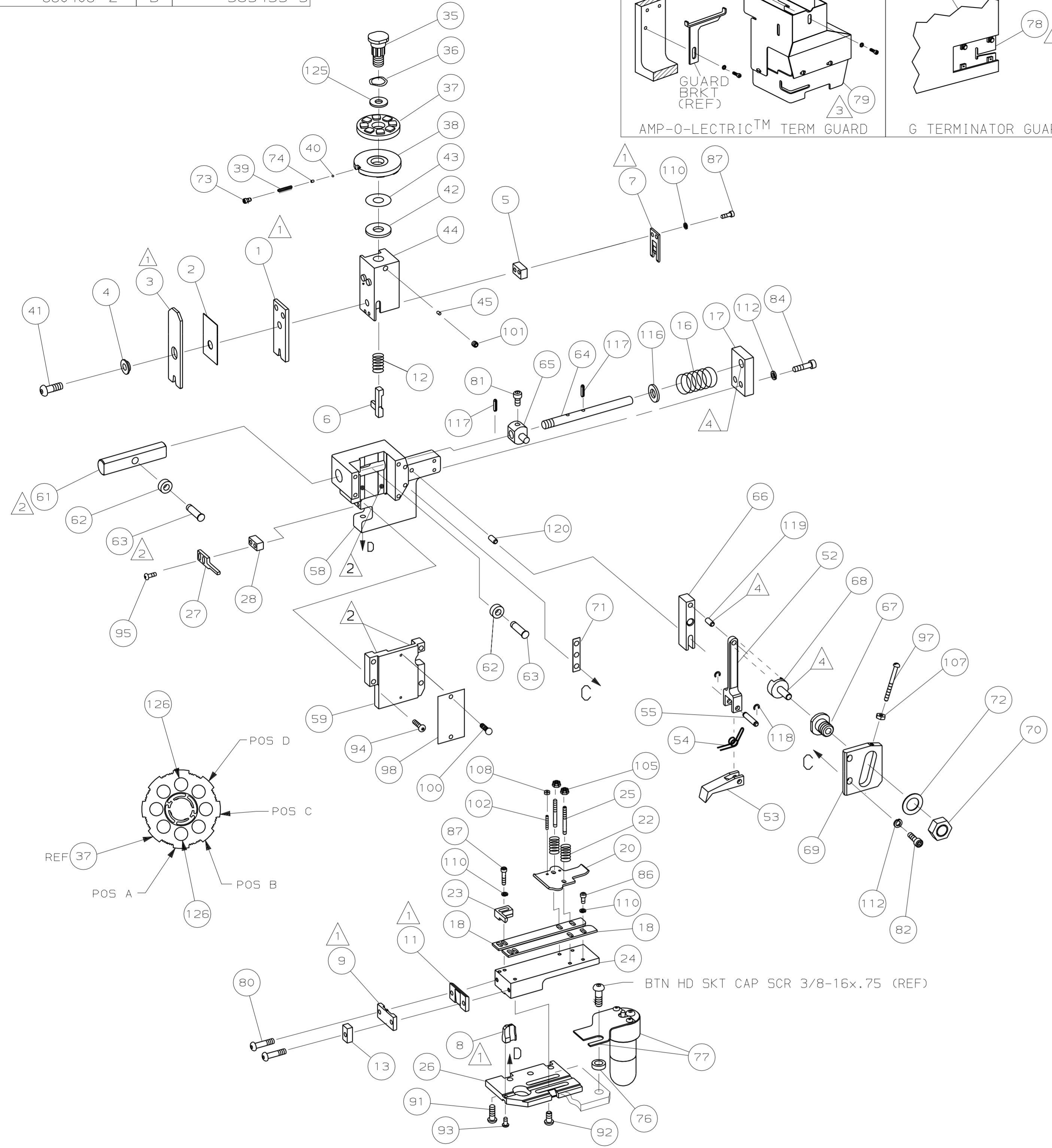


PART NUMBER	REV	FIRST USED
680406-1	B	122500-1
680406-2	B	565435-5

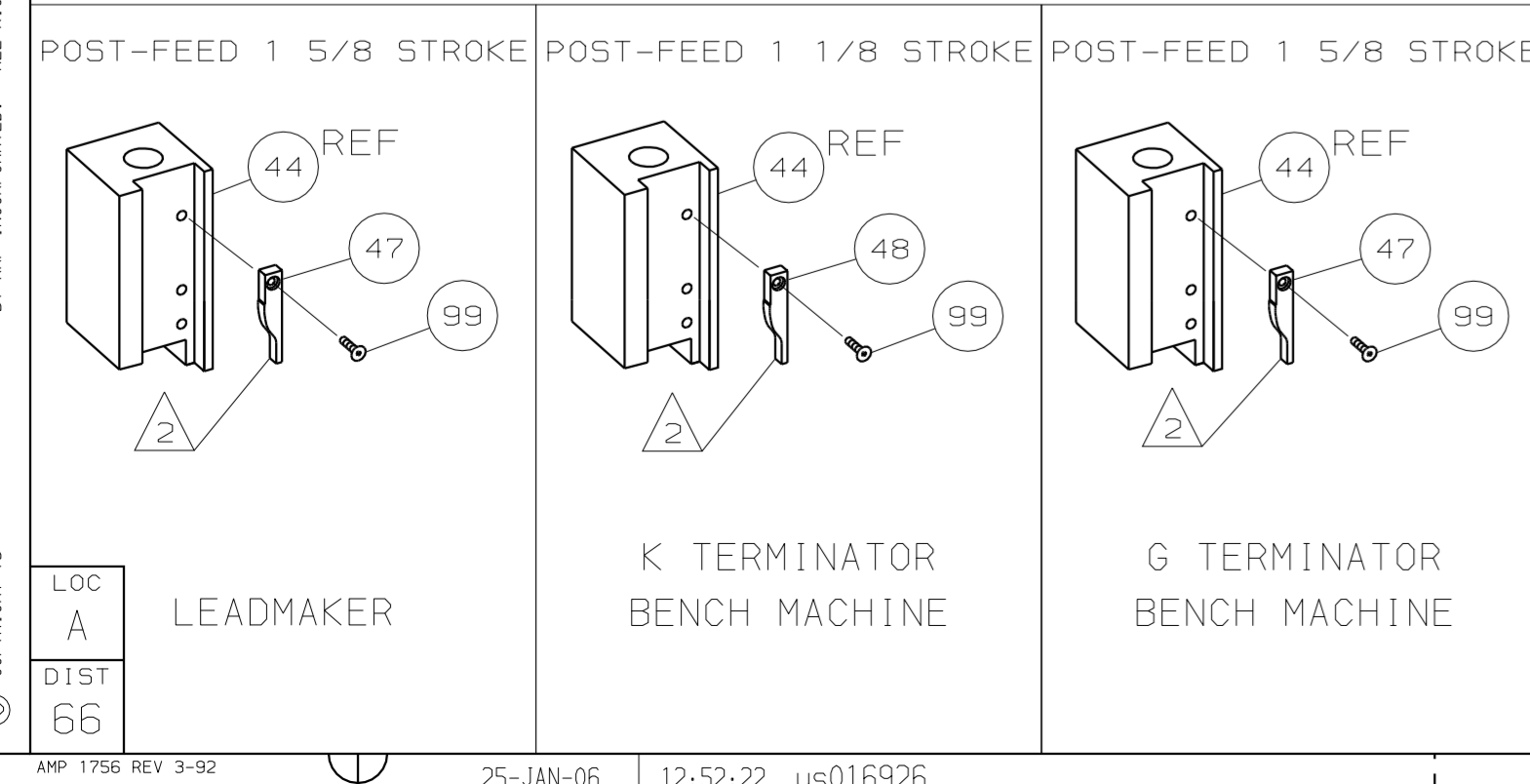


TERMINAL NAME: FASTIN-FASTON™ RECEPTACLE				
962834				
PAD LTR	CRIMP HEIGHT	WIRE SIZE		
A	.092 ±.002 [2.34 ±0.05mm]	12		
B	NOT	USED		
C	NOT	USED		
D	NOT	USED		
CRIMP	SIZE	TYPE	RANGE	
WIRE	.140 [3.56mm]	F	12	
INSUL	.210 [5.33mm]	F	Ø.152 MAX	
WIRE STRIP LENGTH	TERM APPL SPEC	FEED	APPL INSTRUCTION	SET UP GAGE LAYOUT
-	114-18022	1.134	408-8039	458638-1 L1855

-1		LEADMAKER & BENCH MODEL G	MECH POST FEED		
-2		BENCH MODEL K	MECH POST FEED		
REF	REF	- A	22594-8	NUT, HEX	70
REF	REF	- B	240628-1	PLATE, ADJ	69
REF	REF	- B	240626-1	SHAFT, PIVOT	68
REF	REF	- B	240633-1	BUSHING	67
REF	REF	- A	455680-1	LEVER, INTERMEDIATE	66
REF	REF	- B	240629-1	BLOCK, PIVOT	65
REF	REF	- A	240632-2	SCR, ADJ	64
REF	REF	- B	240659-3	PIN, CAM ROLLER	63
REF	REF	- B	240658-1	CAM, ROLLER	62
REF	REF	- B	454398-1	ROD, FEED	61
REF	REF	- C	454220-1	CAP, RAM	59
REF	REF	- D	453736-1	HOUSING	58
					57
					56
REF	REF	- B	240624-1	PIN, FEED FINGER	55
REF	REF	- B	691499-1	SPRING, FEED FINGER	54
REF	REF	- B	240635-1	FINGER, FEED	53
REF	REF	- B	240634-3	LEVER, TERMINAL	52
					51
					50
					49
1	-	- B	690501-3	CAM, POST FEED 1 1/8 ST	48
-	1	- B	690501-4	CAM, POST-FEED 1 5/8 ST	47
					46
1	1	- A	690191-1	PLUG, NYLON	45
1	1	- C	455674-1	RAM	44
1	1	- A	690125-1	WASHER, LAMINATED	43
1	1	- A	690124-1	WASHER, RAM	42
1	1	- A	7-21002-9	BOLT, CRIMPER (5/16-24x1.00)	41
1	1	- A	23241-6	BALL, STEEL	40
1	1	- A	690170-1	SPRING, COMPRESSION	39
1	1	- C	690142-1	DISC, INSULATION	38
1	1	- D	354777-1	WIRE DISC, PLASTIC	37
1	1	- A	22480-5	WASHER, SPRING	36
1	1	- B	690212-1	POST, RAM	35
					34
					33
1	1	- D	458980-2	APPLICATOR, BASIC (SUB ASSY)	32
					31
					30
					29
1	1	- B	3-690451-2	SPACER, STRIPPER	28
1	1	- A	240639-1	STRIPPER	27
REF	REF	- C	455676-1	PLATE, BASE	26
2	2	- A	22354-8	DRAG, STUD	25
1	1	- B	458803-5	PLATE, STRIP GUIDE	24
1	1	- C	240825-1	PLATE, STRIP HOLD DOWN	23
2	2	- A	4-22281-1	SPRING, DRAG	22
					21
1	1	- A	462925-1	DRAG, STOCK	20
					19
2	2	- C	1-454204-0	GUIDE, STRIP (FRONT)	18
REF	REF	- A	454178-1	GUIDE, FEED ROD	17
REF	REF	- A	4-22284-9	SPRING, FEED RETURN	16
					15
					14
1	1	- C	690481-2	SPACER, HOLD DOWN	13
1	1	- A	23846-1	SPRING, HOLD DOWN	12
1	1	- B	240833-3	PLATE, REAR SHEAR	11
					10
1	1	- B	690482-5	PLATE, FRONT SHEAR	9
1	1	- D	1-356038-4	ANVIL	8
1	1	- B	3-690474-6	BLADE, SLUG	7
1	1	- D	4-455892-0	HOLD DOWN, TERMINAL	6
1	1	- C	5-240641-7	SPACER, SLUG BLADE	5
1	1	- B	238009-1	SPACER, BLOCK CRIMPER	4
1	1	- C	1-456134-1	CRIMPER, INSULATION	3
1	1	- B	1-455888-7	SPACER, CRIMPER	2
1	1	- C	456425-2	CRIMPER, WIRE	1



					129
					128
					127
2	2	- C	5-354778-7	PIN, WIRE DISC (.2780)A	126
1	1	- A	986950-1	WASHER, FLAT PRECISION	125
1	1	- A	217238-1	GENERAL INSTRUCTION PACKAGE	124
1	1	-	4088039	EF APPL INST 408-8039	123
					122
					121
REF	REF	- A	1-21030-7	PIN, DOWEL (Ø.187x1.50)HSG	120
REF	REF	- A	1-21030-1	PIN, DOWEL (Ø.187x.50)LEVER	119
REF	REF	- A	21045-3	RING, RET "C" (Ø.187)FD PIN	118
REF	REF	- A	5-21028-1	PIN, STD SPRING (Ø.12)FD ADJ ROD	117
REF	REF	- A	21899-4	WASHER, FLAT (Ø5/16) SCR ADJ	116
					115
					114
REF	REF	- A	21024-5	WASHER, LOCK (NO.10)FD ROD GDE	112
					111
7	7	- A	21024-4	WASHER, LOCK (NO.8) SHEAR BL	110
					109
2	2	- A	21018-4	NUT, HEX (4-40) DRAG	108
REF	REF	- A	21018-5	NUT, HEX (6-32)FD ADJ PL	107
					106
2	2	- A	21022-2	NUT, HEX SL (8-32)DRAG STUD	105
					104
					103
2	2	- A	2-21006-6	SCR, SKT SET (4-40x.62)DRAG	102
1	1	- A	21009-2	SCR, SKT SET (1/4-20x.25)RAM	101
2	2	- A	21017-2	SCR, DRIVE (#2x.19) ID PLATE	100
1	1	- A	1-21002-7	SCR, BHC (6-32x.38) CAM	99
1	1	- B	461264-1	PLATE, IDENTIFICATION	98
REF	REF	- A	6-23715-5	SCR, PAN HD (6-32x1.50)FEED ADJ	97
					96
2	2	- A	2-21002-2	SCR, BHC (8-32x.50)STRIPPER	95
REF	REF	- A	2-21002-9	SCR, BHC (10-32x.75)HSG CAP	94
1	1	- A	22733-8	SCR, BHC (8-32x.38 LW)ANVIL	93
4	4	- A	3-21002-3	SCR, BHC (1/4-20x.50)ST GD PL	92
REF	REF	- A	2-22733-8	SCR, BHC (1/4-20x.62)BASE PL	91
					90
					89
					88
4	4	- A	2-21000-9	SCR, SHC (8-32x.75)SLUG BLADE	87
3	3	- A	2-21000-6	SCR, SHC (8-32x.38)STRIP GUIDE	86
					85
REF	REF	- A	3-21000-7	SCR, SHC (10-32x.75)FEED ROD GDE	84
					83
REF	REF	- A	3-21000-6	SCR, SHC (10-32x.62)FEED ADJ PL	82
REF	REF	- A	3-21000-4	SCR, SHC (10-32x.38)PIVOT BLOCK	81
2	2	- A	3-21002-0	SCR, BHC (10-32x.88)SHEAR PL	80
REF	-	- A	455745-1	GUARD, WINDOW	79
-	REF	- A	679532-1	INSERT, GUARD	78
1	-	- C	465184-9	LUBRICATOR ASSY	77
1	-	- A	454406-1	SPACER, LUB BRACKET	76
					75
1	1	- A	690603-1	SPRING, ASSIST	74
1	1	- A	23030-1	SCR, SKT CAP (6-32x.25)CP DSC	73
REF	REF	- A	458109-1	WASHER, FLAT (SPECIAL)	72
REF	REF	- A	690517-1	SPACER	71



- 1 RECOMMENDED SPARE PARTS.
- 2 GREASE LIGHTLY.
- 3 GUARD MUST BE IN PLACE WHEN OPERATING APPLICATOR IN A BENCH MACHINE.
- 4 LUBRICATE DAILY USING NO. 20 MACHINE OIL.
- 5. ITEMS WITH QTY OF REF SPECIFIED (EXCEPT ITEMS 78 AND 79) ARE USED ON ITEM 32.
- 6 ITEM 78 USED WITH G TERMINATOR ONLY.
- 7 LUBRICATION REQUIRED WITH SILVER PLATED TERMINALS.

QTY REOD PER ASSY	U/M	DWG SIZE	PART NO	DESCRIPTION	ITEM NO
-2	-1				

QTY REOD PER ASSY	U/M	DWG SIZE	PART NO	DESCRIPTION	ITEM NO
-2	-1				