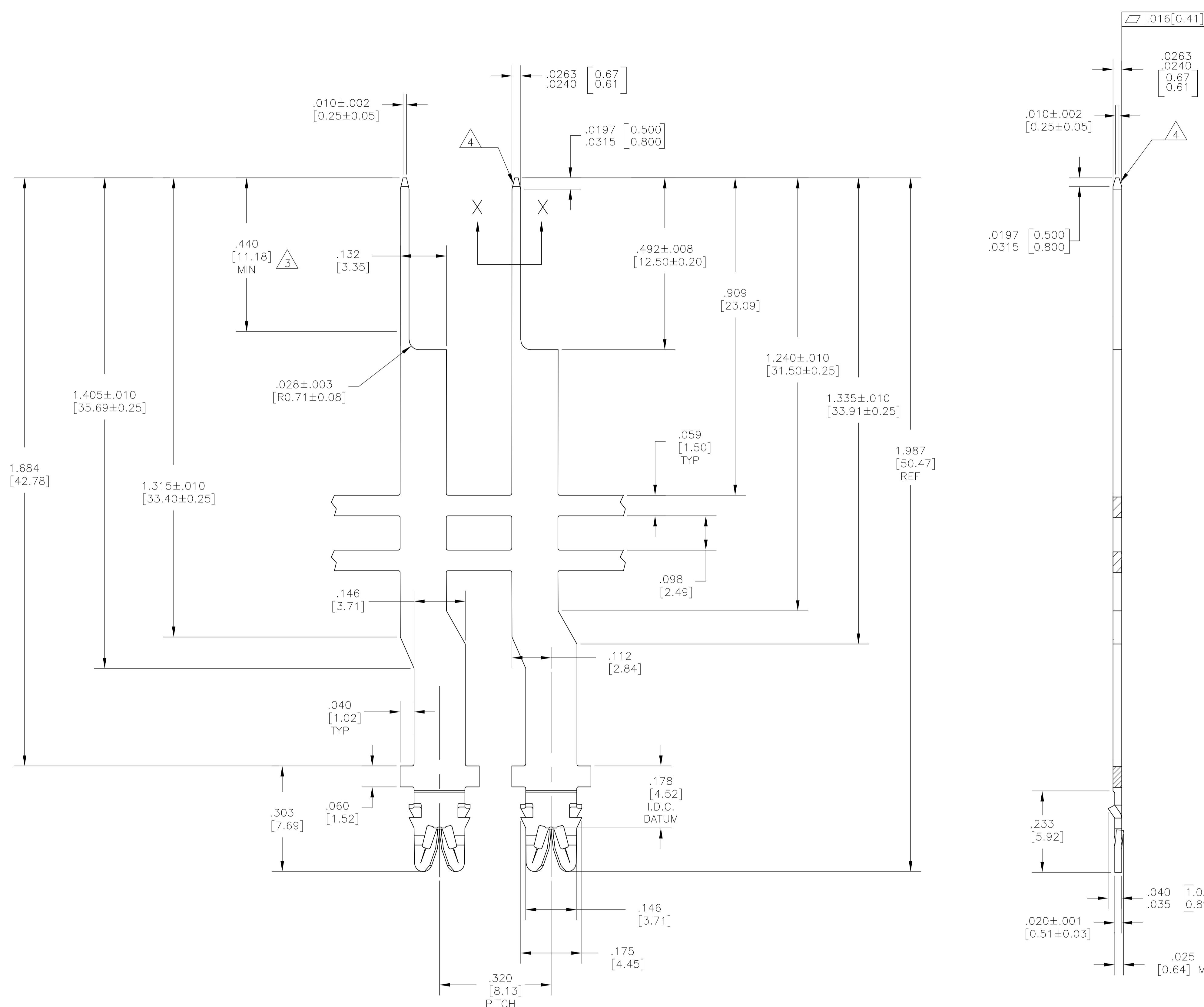


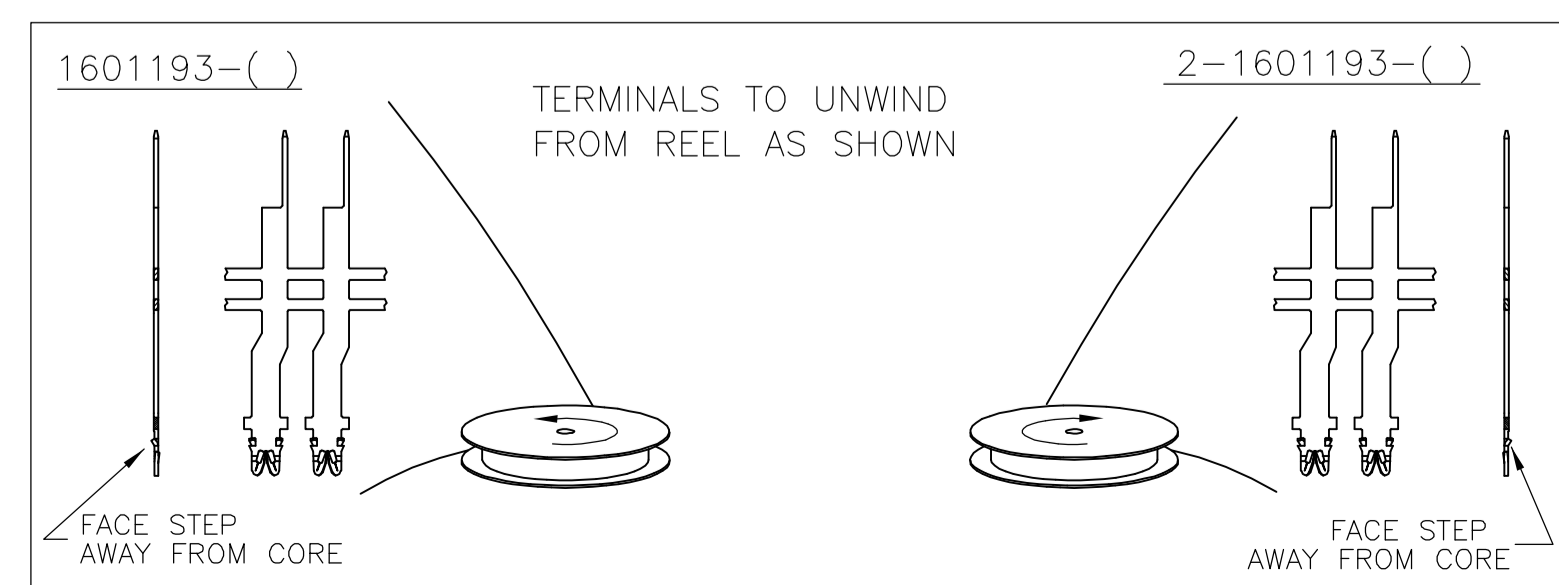
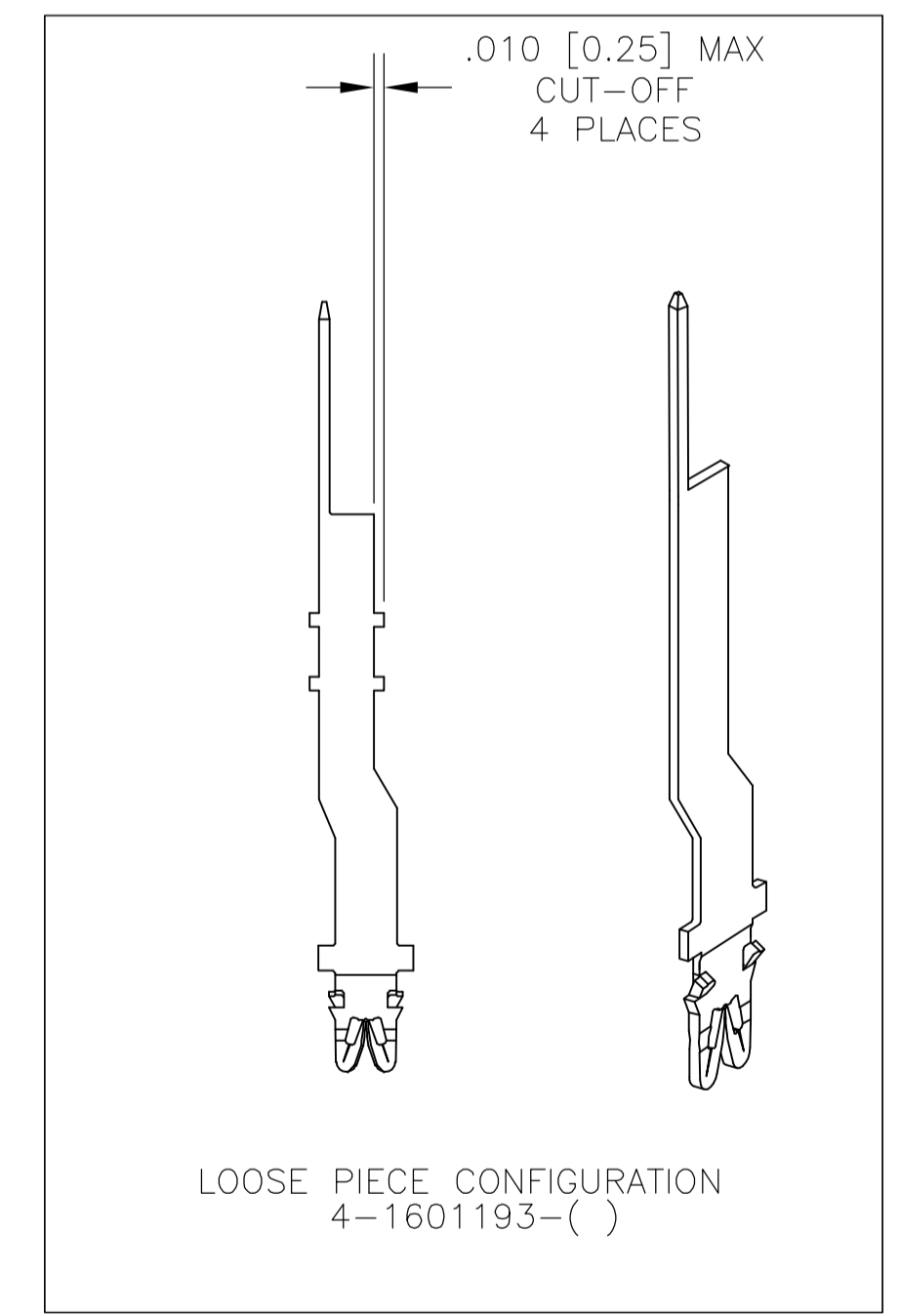
LOC		DIST		REVISIONS			
AF	14	REV	DATE	BY	APP'D	DATE	BY
B3		REVISED PER ECR-06-022483	03OCT06	HMR	GJ		



- SPECIFICATIONS: MAGNET WIRE RANGE; #18-#34 .006-.040 DIA [0.16-1.02] mm COPPER. OTHER SIZES MAY BE ACCOMMODATED, CONSULT TYCO ELECTRONICS FOR APPROVAL.
- POCKET RECOMMENDATION: 1601474.
- THIS LENGTH TO BE COINED ON ALL 4 CORNERS WITH NO BURRS. MAX RADIUS AS SHOWN IN SECTION X-X
- TIP MAY BE RADIUSED AND HAVE CONVEX SIDES WITHIN DIMENSIONS SHOWN.
- TERMINAL APPLICATION TO COMPLY WITH TYCOELECTRONICS SPECIFICATION 114-13166.

R.003 MAX 4 PLC NO BURRS

SECTION X-X
SCALE 12:1



THIS DRAWING IS A CONTROLLED DOCUMENT.		DWN MICHAEL S. FEJER 17MAY2004		Tyco Electronics Corporation	
DIMENSIONS: INCHES		CHK GENE JACONO 17MAY2004		Harrisburg, PA 17105-3608	
TOLERANCES UNLESS OTHERWISE SPECIFIED:		APVD GENE JACONO 17MAY2004		NAME	
0 PLC ± -		PRODUCT SPEC		.025 SQUARE OFFSET PIN	
1 PLC ± -		APPLICATION SPEC		STANDARD SIAMEZE TERMINAL	
2 PLC ± .01[0.25]		SIZE		A1	
3 PLC ± .005[0.13]		CAGE CODE		00779	
4 PLC ± - # °		DRAWING NO		1601193	
ANGLES ± - # °		RESTRICTED TO		-	
MATERIAL FULL HARD PRE-MILLED BRASS		FINISH SEE TABLE		CUSTOMER DRAWING	
WEIGHT		SCALE		6:1	
SHEET		SHEET		1 OF 1	
REV		REV		B3	