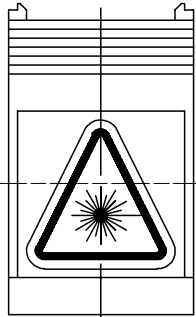
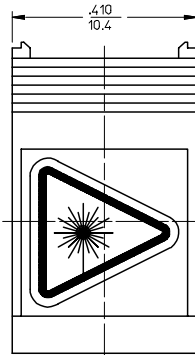


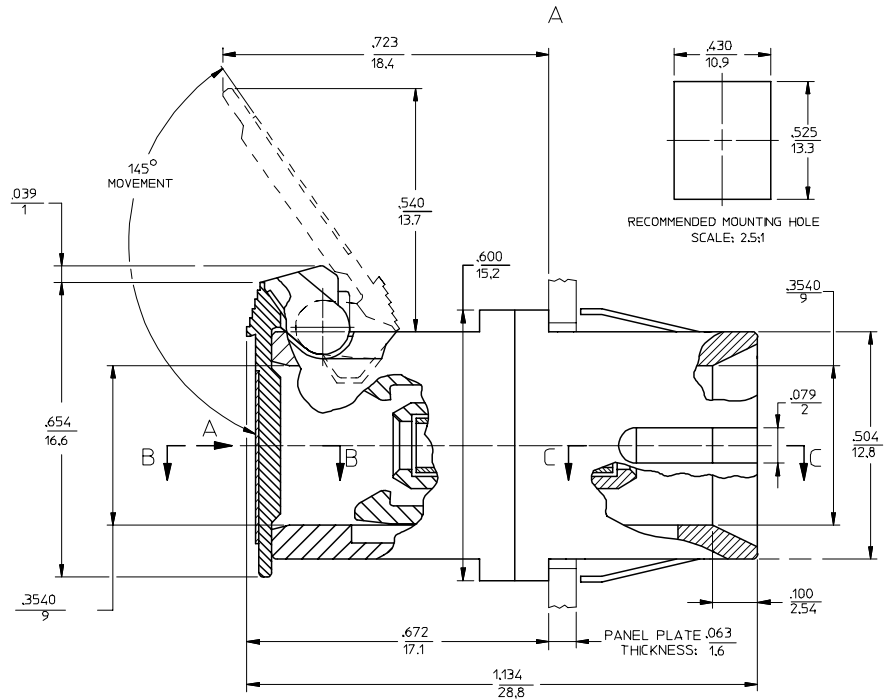
ADAPTER P/N	SPLIT SLEEVE MATERIAL	COLOR OF ADAPTER
106170-0400	ZR	BLACK
106170-0420		GREEN
106170-0430		RED
106171-0400	PHOSPHOR BRONZE	BLACK
106171-0420		GREEN
106171-0430		RED



VIEW A
VERSION 2



VIEW A
VERSION 1



- NOTES:
 1. LABEL MUST BE INSTALLED AND ORIENTED BY CUSTOMER. (SEE VIEW A)
 2. DUST CAP NOT SHOWN, BUT INCLUDED.

ENTER DESCRIPTION EC NO: MF2006-0237 DRAWN: JGIBLIN CHKD: JGIBLIN APPR: JGIBLIN REVISIONS 2005/11/29 2005/11/29 2005/11/29	QUALITY SYMBOLS Ra=0 Rz=0	GENERAL TOLERANCES (UNLESS SPECIFIED)		DIMENSION STYLE IN/MM	SCALE 4:1	DESIGN UNITS INCH	THIRD ANGLE PROJECTION
		4 PLACES ± .001 ± .001 3 PLACES ± .002 ± .002 2 PLACES ± .005 ± .005 1 PLACE ± .010 ± .010	DRAWN BY RPACIFICI	DATE 2005/10/13	TITLE BSC ADAPTER WITH SHIELD		
		ANGULAR ±1/2°	CHECKED BY DATE	APPROVED BY DATE	MATERIAL NO. SEE TABLE		
		DRAFT WHERE APPLICABLE MUST REMAIN WITHIN DIMENSIONS	SIZE C	DOCUMENT NO. SD-10617X-X4X0	SHEET NO. 1 OF 01		