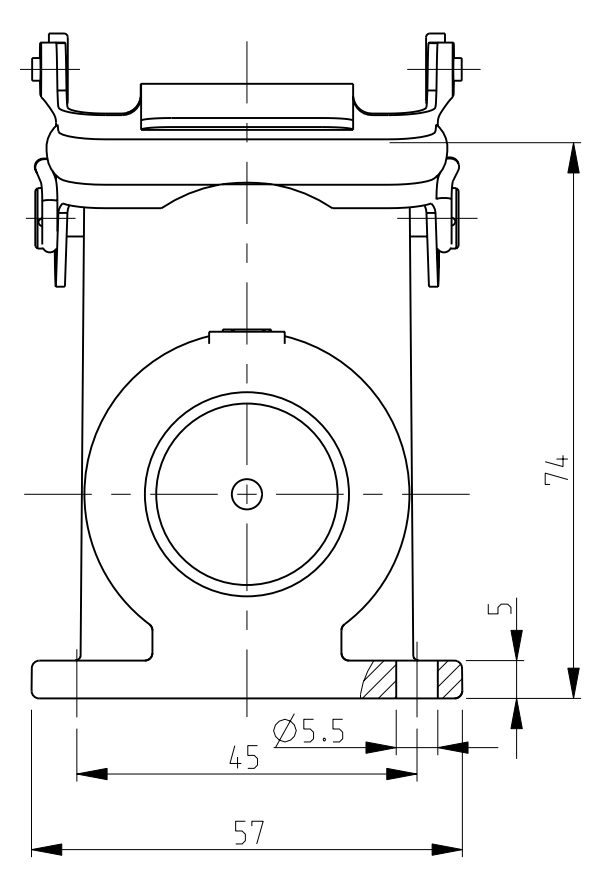
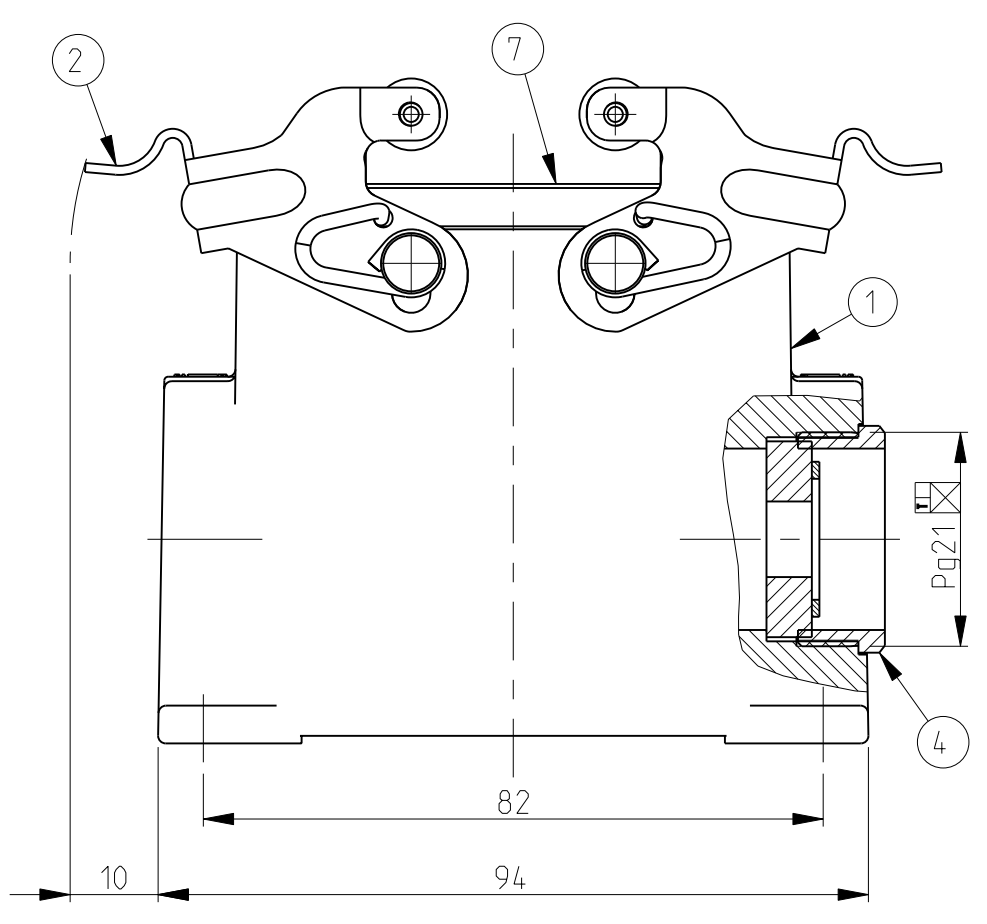
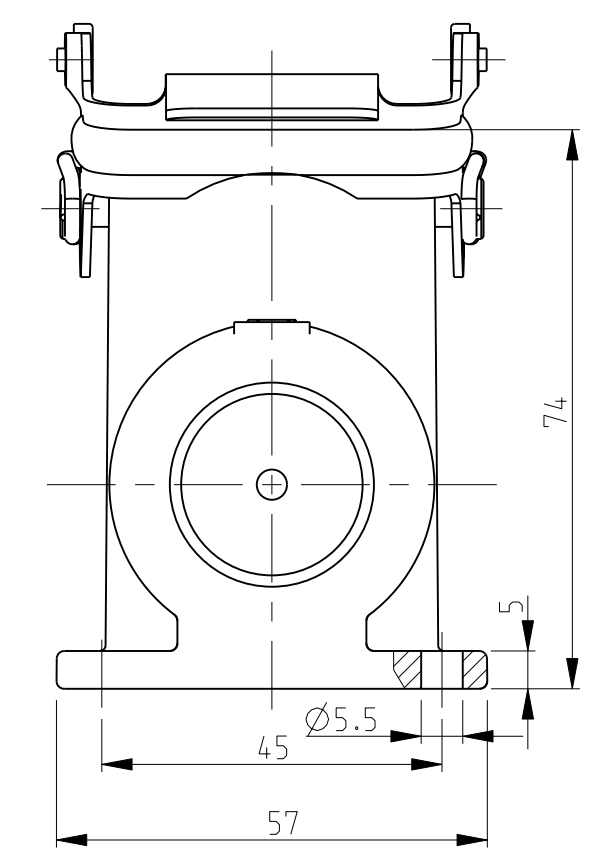
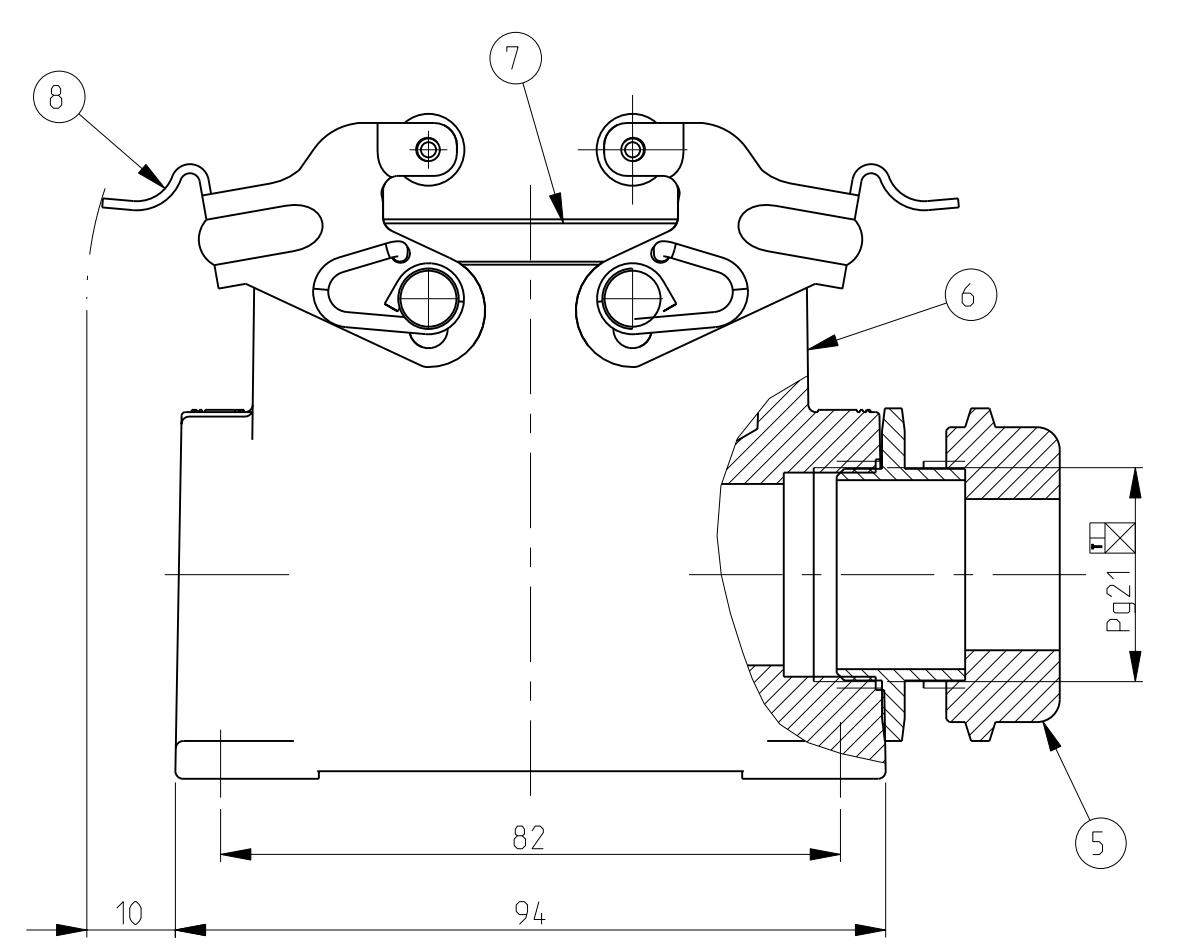


LOC	DIST	REV	DESCRIPTION	DATE	DWN	APVD
A1	-	A2	Released as per ECR-08-015B13	23.June.2008	SP	TS

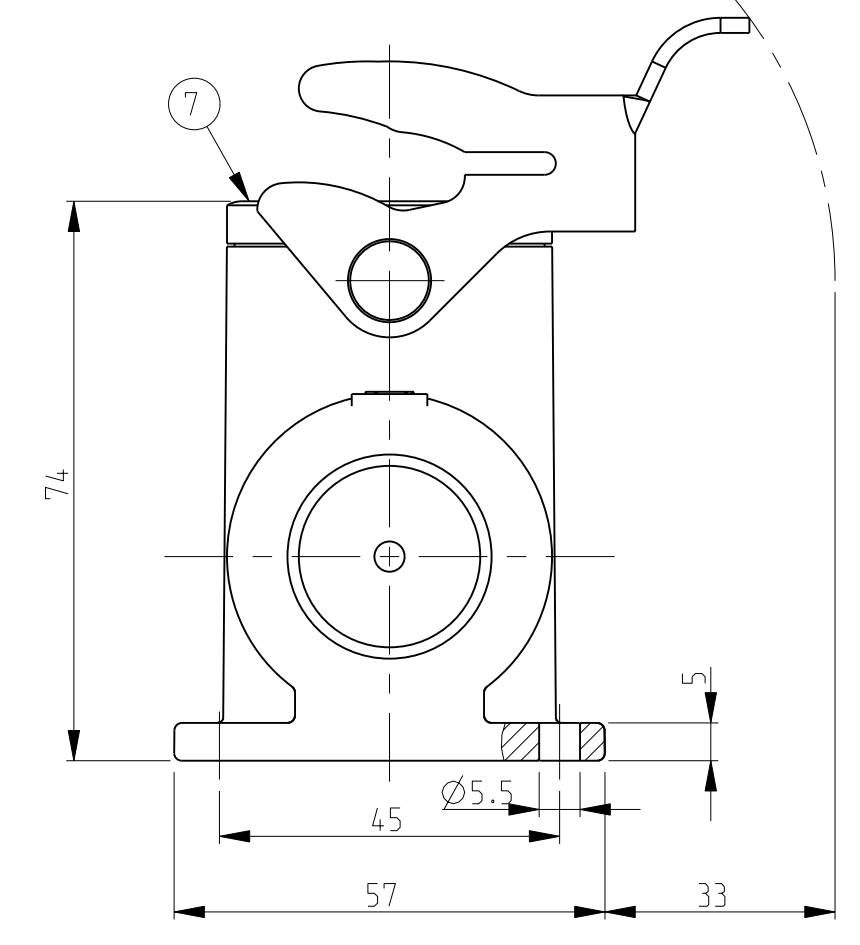
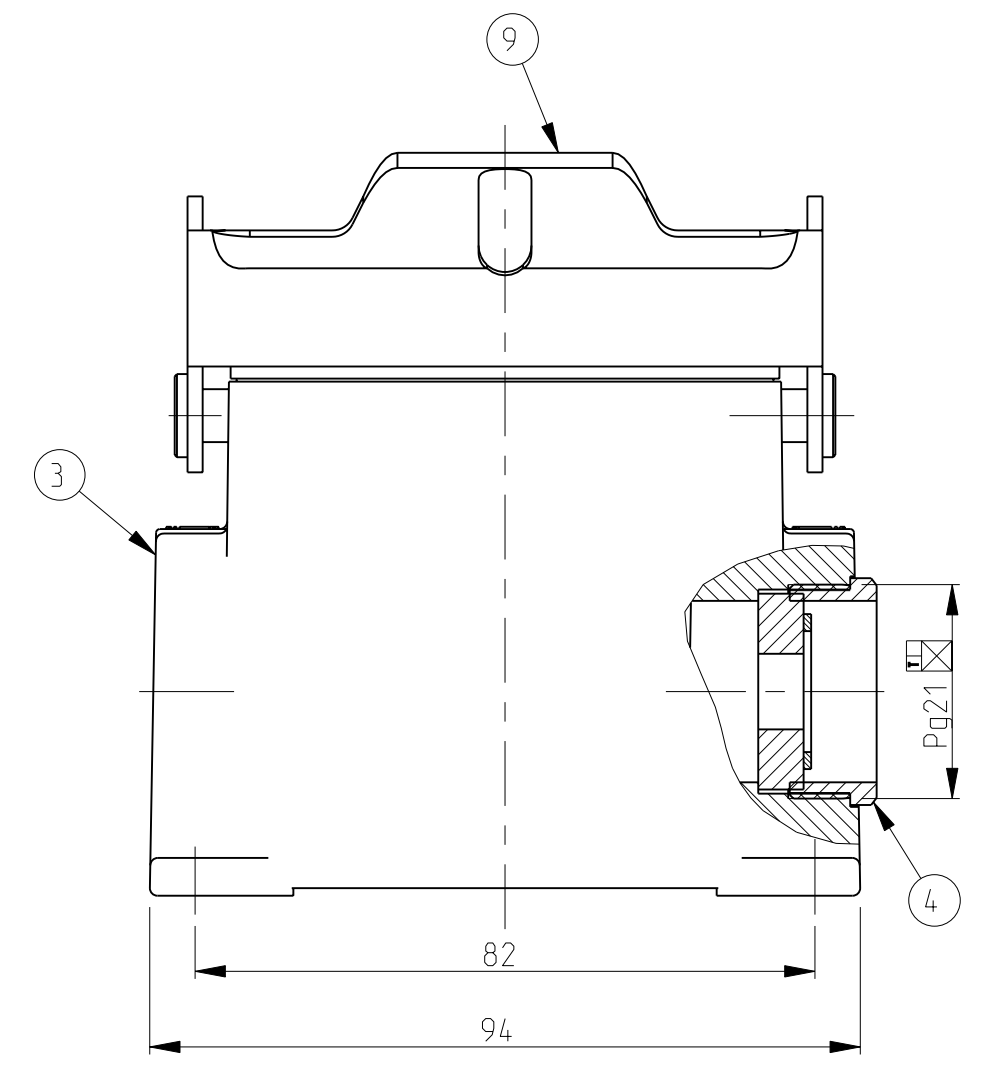
PN 1-1



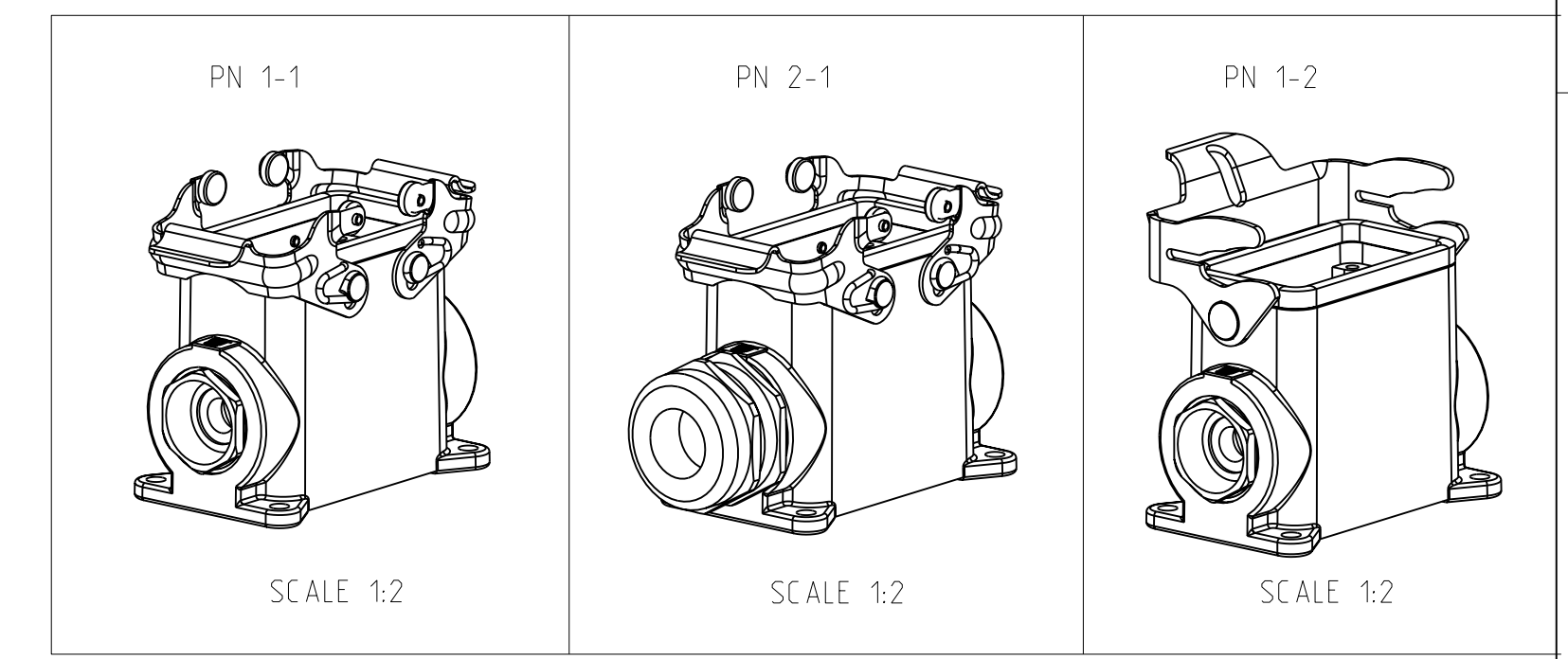
PN 2-1



PN 1-2



- NOTES.
- Material:Housing:Aluminium Diecasting Alloy
Seals:Neoprene
 - Surface:Varnish grey
-Aluminium Oxide -Varnish Black
 - Varnish on the inside not necessary
 - Packaging
Quantity 5 Pieces in a box



QTY	DESCRIPTION	MATERIAL	SURFACE	COLOR	ITEM NO	NOTES		
1	Side clip,HB6/24	Steel	Zinc plated	Blue	9			
2	Locking Clip Finished Product HB10-24	Stainless steel	Blank	-	8			
1	Profile Seal, HB6/24	Neoprene		Black	7			
1	Surface mounted housing side entry	Aluminium	Aluminium oxide	Black	6			
1	Gland Fitting	Brass	Nickel plated	Blue	5	Pg21		
1	Pressure screw	Brass	Nickel plated	Blue	4	Pg21		
1	Surface mounted housing side entry	Aluminium		Grey	3			
2	Locking Clip	Steel	Zinc plated	Blue	2			
1	Surface mounted housing side entry	Aluminium		Grey	1			
1-2	2-1	1-1	DESCRIPTION	MATERIAL	SURFACE	COLOR	ITEM NO	NOTES
ORDERING TEXT								
HD .24 .SG-VS.1.21								
HD-K.24 .SG-VS.1.21								
HD .24 .SG-LB.1.21								

DIMENSIONS:		TOLERANCES UNLESS OTHERWISE SPECIFIED:		DWN		Schneider		21.08.03		Tyco Electronics		Tyco Electronics,AMP,GmbH	
mm		0.100		CWE		Schweiger		21.08.03		0-53819,Neunkirchen,Germany			
APVD		APVD		NAME		Schneider		Schweiger		Surface mounted housing side entry		HD .24 .SG-VS/LB.1.21	
PRODUCT SPEC		APPLICATION SPEC		WEIGHT		SCALE		1:1		SHEET		1 OF 1	
MATERIAL		FINISH		CUSTOMER DRAWING		A1		00779		C=1102506		REV A2	