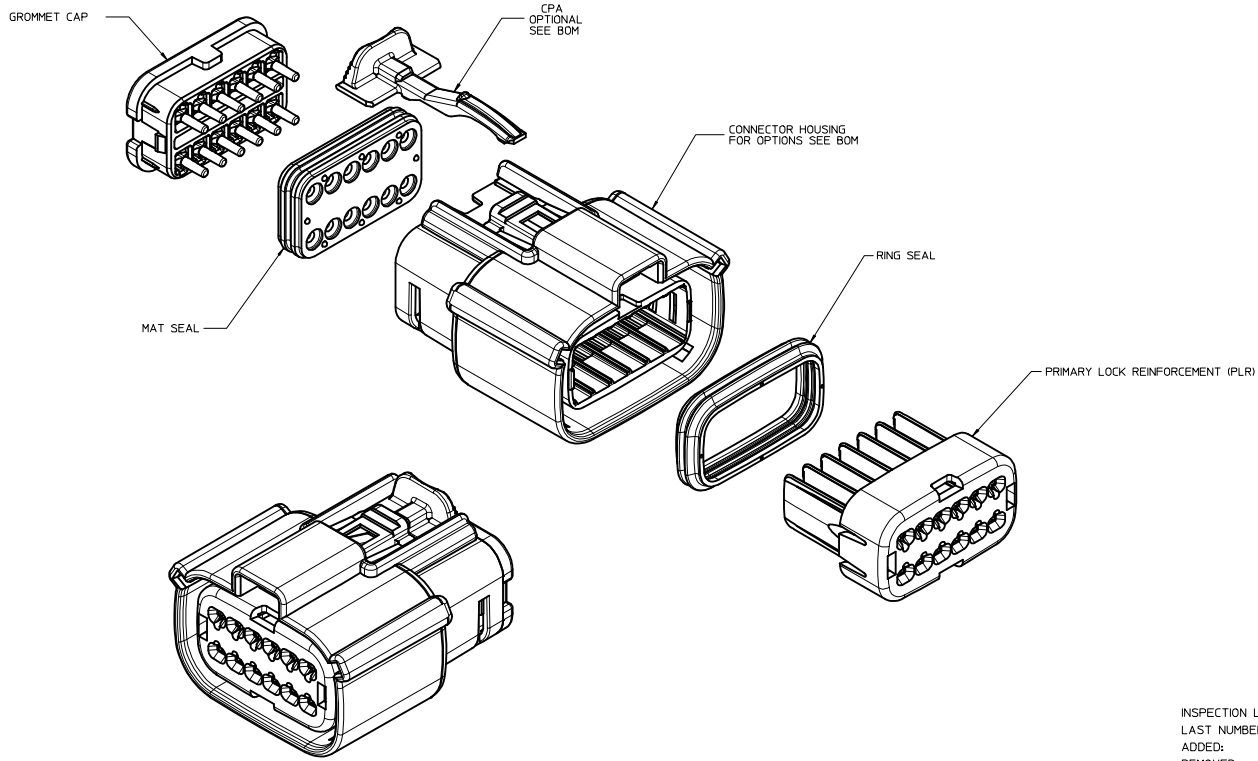


TABLE OF CONTENTS	
SHEET NO.	SHEET DESCRIPTION
1	NOTES
2	KEY CONFIGURATIONS
3	RECEPTACLE SEALED ASSEMBLY
4	BACKSHELL NOTES
5	BACKSHELL
6	BACKSHELL CONFIGURATIONS
7-9	BOM

NOTES: VALID UNLESS OTHERWISE SPECIFIED

1. GENERAL:
- a. APPLICATION SPECIFICATION SEE: AS-33472-100
 - CONTAINS: PRODUCT INTRODUCTION, PRODUCT SUMMARY, CONNECTOR ASSEMBLY, PACKAGING INFORMATION, CONNECTOR MATING, SERVICE INSTRUCTIONS, ELECTRICAL CONTINUITY CHECKING, CRIMPING, AND TROUBLESHOOTING.
 - DESIGNED TO MATE WITH DEVICE CONNECTION AS SPECIFIED IN DRAWING EWCAP 150-S-012-2-201, AVAILABLE AT <http://ewcap.uscar.tecma.org/>.
 - DESIGNED TO MATE WITH BLADE SEALED ASSEMBLY AS SPECIFIED IN DRAWING SD-33482-121
 - FOR 1.5mm RECEPTACLE TERMINALS TO BE USED WITH THIS ASSEMBLY, SEE MOLEX DRAWING SD-33012-002.
 - SYSTEM TO BE USED WITH WIRE WITHIN DIAMETER RANGE OF 12 mm TO 2.69 mm.
 - ASSEMBLY SHIPPED WITH PLR AND CPA IN PRE-LOCK POSITION (SEE SECTION Z-Z PRE-LOCK).
 - IN THE EVENT THAT THE PLR IS FOUND IN THE SEATED (FINAL LOCK) POSITION, REFER TO MOLEX SPECIFICATION PS-34646-001, AVAILABLE AT www.molex.com <http://www.molex.com>.
 - ASSEMBLY CONFORMS TO SAE/USCAR-2 REV.4 WITH THE FOLLOWING EXCEPTIONS: ENGAGEMENT FORCE TO MOVE CPA FROM PRE-LOCK TO FINAL LOCK POSITION WHEN UNMATED: 40N MIN. DISENGAGEMENT FORCE TO MOVE CPA FROM FINAL LOCK TO PRE-LOCK POSITION: 3N MIN. 40N MAX. TERMINAL INSERTION FORCE FOR WIRE DIAMETER ABOVE 2.5mm NOT EXCEEDING 2.69mm SHALL NOT EXCEED 40 NEWTONS.
 - b. PRODUCT SPECIFICATION SEE: PS-33472-000
 - CONTAINS: PRODUCT INTRODUCTION, PRODUCT SUMMARY, RATINGS (CURRENT, TEMPERATURE, SEALING, AND FLAMMABILITY), AND PRODUCT VALIDATION.
 - c. PACKAGING SPECIFICATION PER MOLEX DRAWING: PK-31300-903
 - d. PARTS MUST BE IN COMPLIANCE TO MOLEX CHEMICAL SUBSTANCES FOR PRODUCTS AND PACKAGING SPECIFICATION ES-40000-5016
 - e. DATA MUST BE SUBMITTED UNDER THE MOLEX PART NUMBER TO IMDS (COMPANY ID#13255)
 - f. FOR INFORMATION ON 2X6 RECEPTACLE SEALED ASSEMBLY WITH CLIP/SLOT SEE SD-33472-131
2. DESIGN - MATERIALS:
- a. SEE BOM TABLE
3. DESIGN - GEOMETRY:
- a. THIS IS A 100% CAD GENERATED PART. THE CAD MATHEMATICAL DATA IS THE MASTER FOR THIS PART. FOR DIMENSIONAL OR ANY INFORMATION NOT SHOWN ON THIS DRAWING, ANALYZE THE CAD MODEL.
 - b. GEOMETRIC DIMENSIONS AND TOLERANCES PER ASME Y14.5M - 1994
 - c. EDGES AND UNDIMENSIONED DETAILS PER ISO13715
 - d. CORNERS SHOWN AS SHARP TO BE R 0.2 MAX.
 - e. LETTERING SHALL BE 0.5 MAX RAISED IN 0.25 MAX RECESS PAD. THIS INCLUDES RECYCLING CODE, CAVITY ID, VENDOR IDENTIFICATION, AND CUSTOMER MATERIAL NUMBER.
 - f. VISUAL DEFECTS SHALL MEET COSMETIC STANDARD PS-45499-002 (Class B).
 - g. LASER MARKING: TBD



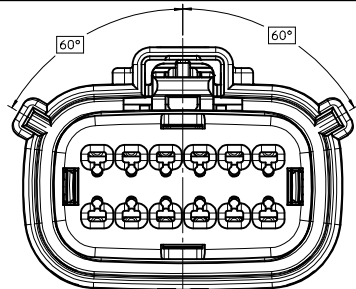
INSPECTION LOG
 LAST NUMBER USED:
 ADDED:
 REMOVED:

T5	RENAMED BACKSHELLS
T4	ADD NEW P/N 33472-1283 33472-1284 33472-1285
T3	ADDED CPA CALL OUT TO P/N 33472-1282
T2	ADD NEW P/N 33472-1282
T1	ADDED BACKSHELLS
T	ADD NEW P/N 33472-1281
S	ADD NEW P/N 33472-1279 33472-1280
R	ADD NEW P/N 33472-1278
O	REDRAWN
REV	DESCRIPTION

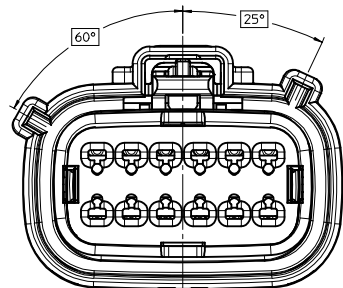
ENTER DESCRIPTION DEC NO: UAU2013-1404 DRAWN BY: DRWNGDAHALL CHYD: 2013/03/06 APPROV: C.LISLE DESCRIPTION: 2013/03/07	QUALITY SYMBOLS ∇=0 ∇=0 ∇=0	GENERAL TOLERANCES (UNLESS SPECIFIED): mm INCH 4 PLACES ±.000 ±.000 3 PLACES ±.010 ±.000 2 PLACES ±.030 ±.000 1 PLACE ±.075 ±.000 0 PLACE ±.150 ±.000	DIMENSION STYLE MM ONLY DRAWN BY: D. MARCOUX DATE: 06-13-02 CHECKED BY: D. GRIFFITHS DATE: 06-13-02 APPROVED BY: F. HOLUB DATE: 06-13-02	TITLE MX150 2X6 RECEPTACLE SEALED ASSEMBLY MAT SEAL
	MATERIAL NO: SEE BOM	SCALE: 3:1 DESIGN UNITS: METRIC THIRD ANGLE PROJECTION	DOCUMENT NO: SD-33472-121	SHEET NO: 1 OF 9

THIS DRAWING CONTAINS INFORMATION THAT IS PROPRIETARY TO MOLEX INCORPORATED AND SHOULD NOT BE USED WITHOUT WRITTEN PERMISSION

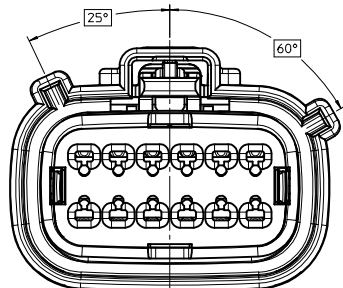
KEY CONFIGURATIONS



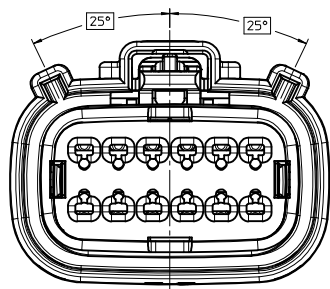
KEY A



KEY B



KEY C

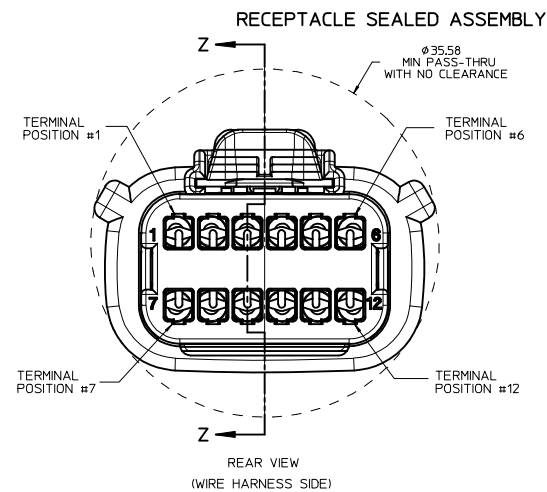
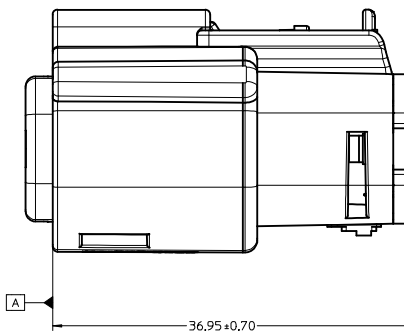
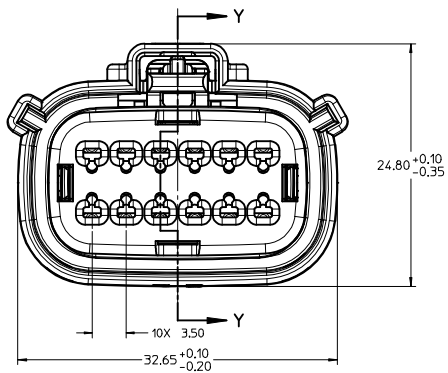
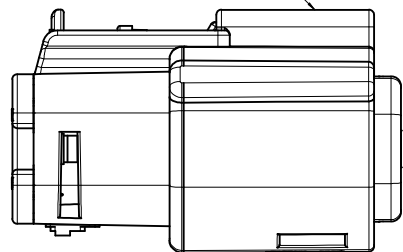


KEY D

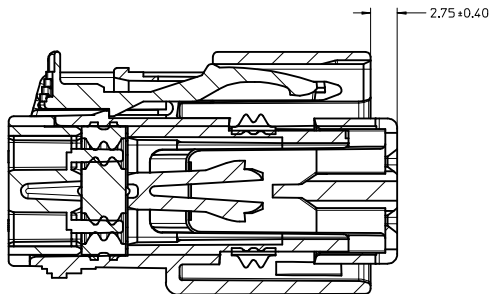
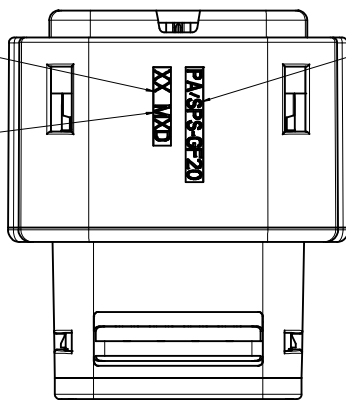
ENTER DESCRIPTION DEC NO: UAU2013-1404 DRAWN BY: DRWNGHALL CHYD: 2013/03/06 APPROV: C. LISLE APPR: DC. LISLE 2013/03/07	QUALITY SYMBOLS ∇=0 ∇=0 ∇=0	GENERAL TOLERANCES (UNLESS SPECIFIED)		DIMENSION STYLE MM ONLY	SCALE 4:1	DESIGN UNITS METRIC	THIRD ANGLE PROJECTION	
				mm INCH	DRAWN BY: D. MARCOUX DATE: 06-13-02	TITLE MX150 2X6 RECEPTACLE SEALED ASSEMBLY MAT SEAL		
				ANGULAR ± 3 °	CHECKED BY: D. GRIFFITHS DATE: 06-13-02	molex		
		DRAFT WHERE APPLICABLE MUST REMAIN WITHIN DIMENSIONS	MATERIAL NO: SEE BOM	DOCUMENT NO: SD-33472-121	SHEET NO: 2 OF 9			

THIS DRAWING CONTAINS INFORMATION THAT IS PROPRIETARY TO MOLEX INCORPORATED AND SHOULD NOT BE USED WITHOUT WRITTEN PERMISSION

LASER MARKING ON THIS SURFACE
SEE NOTE 3g.

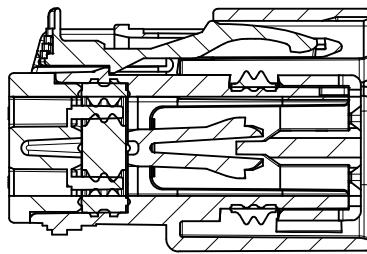


MOLD CAVITY CODE
LOCATION CODE
RECYCLE CODE



PRIMARY LOCK REINFORCEMENT (PLR) SHOWN
IN PRE-STAGE POSITION

SECTION Z-Z

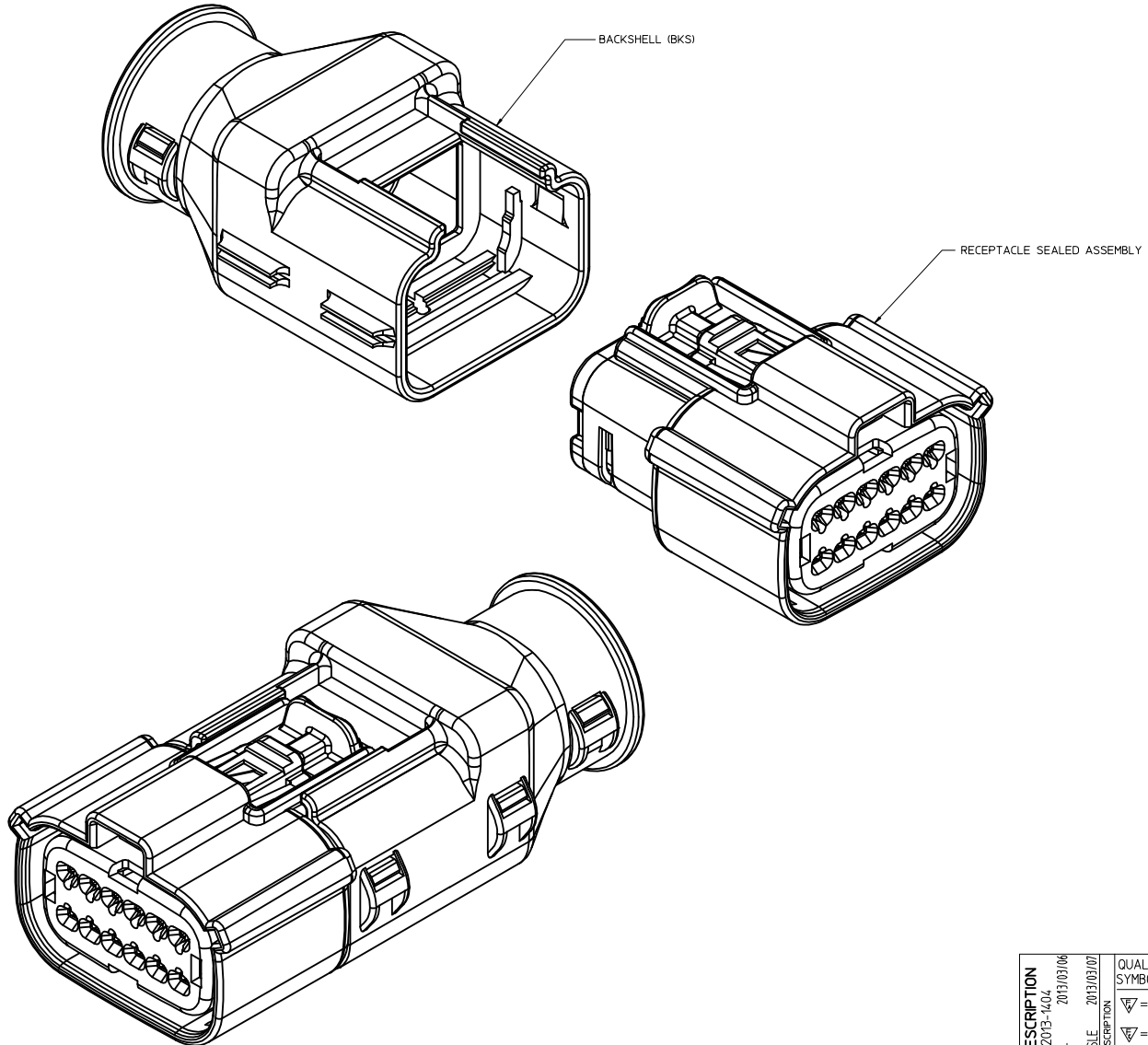


PRIMARY LOCK REINFORCEMENT (PLR) SHOWN
IN FINAL-LOCK POSITION

SECTION Y-Y

ENTER DESCRIPTION IEC NO: UAU2013-1404 DRAWN BY: DRWNGR/HALL CHKD: [blank] APPR: DC LISLE 2013/03/07	QUALITY SYMBOLS ∇=0 ∇=0 ∇=0	GENERAL TOLERANCES (UNLESS SPECIFIED) mm INCH 4 PLACES ± --- ± --- 3 PLACES ± --- ± --- 2 PLACES ± 0.10 ± --- 1 PLACE ± 0.3 ± --- 0 PLACE ± ±	DIMENSION STYLE MM ONLY	SCALE 4:1	DESIGN UNITS METRIC	THIRD ANGLE PROJECTION
	DRAWN BY: D. MARCOUX DATE: 06-13-02 CHECKED BY: [blank] DATE: 06-13-02 APPROVED BY: F. HOLUB DATE: 06-13-02	MATERIAL NO. SEE BOM	TITLE MX150 2X6 RECEPTACLE SEALED ASSEMBLY MAT SEAL	DOCUMENT NO. SD-33472-121	SHEET NO. 3 OF 9	
	DRAFT WHERE APPLICABLE MUST REMAIN WITHIN DIMENSIONS					
	THIS DRAWING CONTAINS INFORMATION THAT IS PROPRIETARY TO MOLEX INCORPORATED AND SHOULD NOT BE USED WITHOUT WRITTEN PERMISSION					

BACKSHELL NOTES

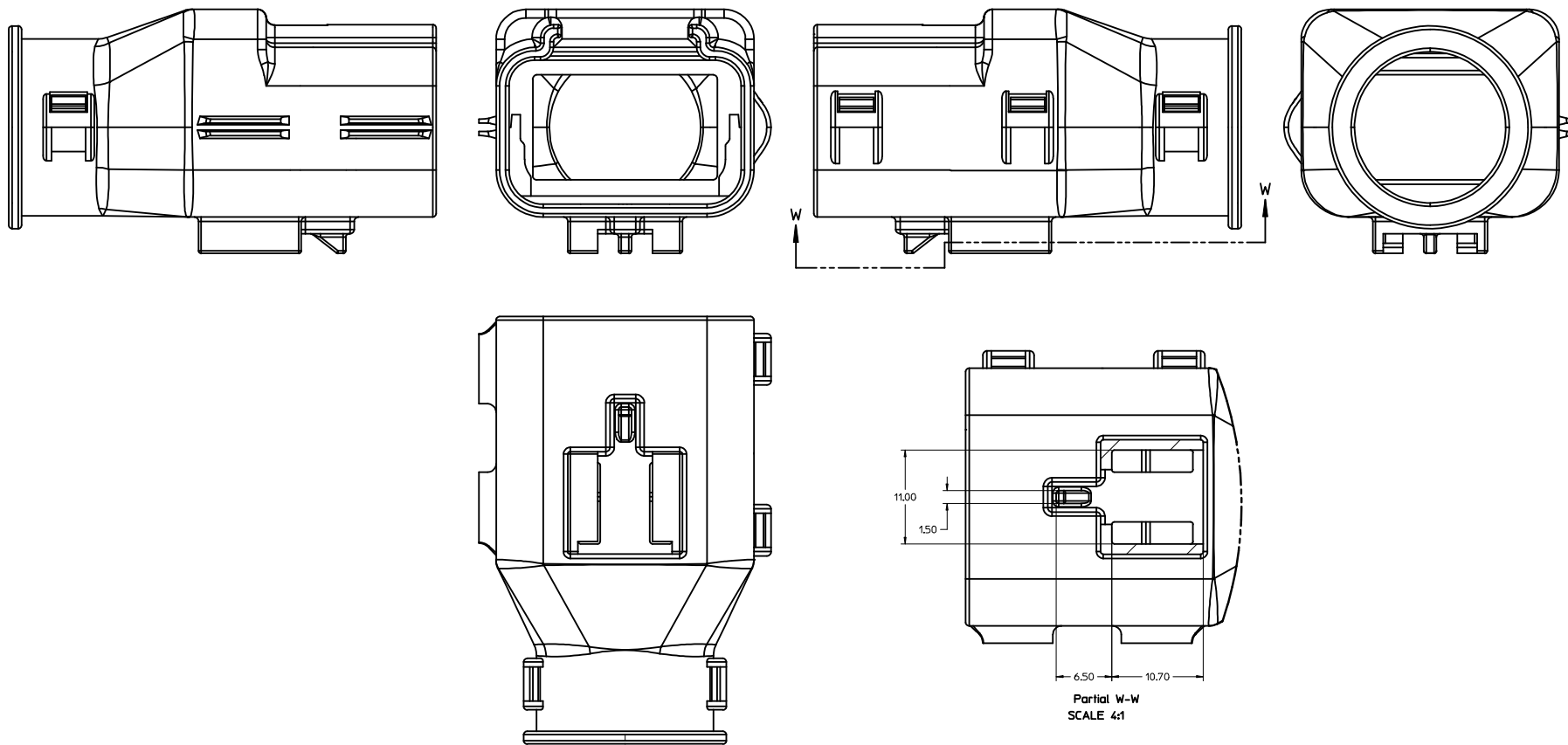


BACKSHELL NOTES: VALID UNLESS OTHERWISE SPECIFIED

1. GENERAL:
 - a. APPLICATION SPECIFICATION SEE: AS-*****TBD*****
 - DESIGNED TO MATE WITH RECEPTACLE SEALED ASSEMBLY SPECIFIED IN MOLEX DRAWING SD-33472-121.
 - SYSTEM TO BE USED WITH WIRE WITHIN DIAMETER RANGE OF TBDmm TO TBDmm.
 - COMPONENTS ARE OPTIONAL AND MUST BE PURCHASED SEPARATELY
 - BACKSHELL DESIGN IS OWNED BY SCHLEMMER
 - b. PRODUCT SPECIFICATION SEE: PS-*****TBD*****
 - c. PACKAGING SPECIFICATION PER MOLEX DRAWING: PK-*****TBD*****
 - d. PARTS MUST BE IN COMPLIANCE TO MOLEX CHEMICAL SUBSTANCES FOR PRODUCTS AND PACKAGING SPECIFICATION: ES-40000-5016
 - e. DATA MUST BE SUBMITTED UNDER THE MOLEX PART NUMBER TO IMDS (COMPANY ID#13255)
2. DESIGN - MATERIALS:
 - a. PA66 0% GLASS FILLED
 - b. BLACK
3. DESIGN - GEOMETRY:
 - a. THIS IS A 100% CAD GENERATED PART. THE CAD MATHEMATICAL DATA IS THE MASTER FOR THIS PART. FOR DIMENSIONAL OR ANY INFORMATION NOT SHOWN ON THIS DRAWING, ANALYZE THE CAD MODEL.
 - b. GEOMETRIC DIMENSIONS AND TOLERANCES PER ASME Y14.5M - 2009
 - c. EDGES AND UNDIMENSIONED DETAILS PER ISO13715
 - d. CORNERS SHOWN AS SHARP TO BE R 0.2 MAX.
 - e. VISUAL DEFECTS SHALL MEET COSMETIC STANDARD PS-45499-002 (Class B).

ENTER DESCRIPTION DEC NO: UAU2013-1404 DRAWN BY: DRWNS/DAHALL CHKD: LLSLE APPR: DC LLSLE 2013/03/06 2013/03/07	QUALITY SYMBOLS	GENERAL TOLERANCES (UNLESS SPECIFIED)	DIMENSION STYLE	SCALE	DESIGN UNITS	THIRD ANGLE PROJECTION
	▽=0	4 PLACES ± mm ± INCH	MM ONLY	4:1	METRIC	☉
	▽=0	3 PLACES ± 0.10 ± --- ± ---	DRAWN BY DATE	TITLE		
	▽=0	2 PLACES ± 0.3 ± --- ± ---	D. MARCOUX 06-13-02	MX150 2X6 RECEPTACLE SEALED ASSEMBLY MAT SEAL		
		ANGULAR ± 3 °	CHECKED BY DATE	molex		
		DRAFT WHERE APPLICABLE MUST REMAIN WITHIN DIMENSIONS	D. GRIFFITHS 06-13-02	DOCUMENT NO. SD-33472-121		
			APPROVED BY DATE	SHEET NO. 4 OF 9		
			F. HOLUB 06-13-02	THIS DRAWING CONTAINS INFORMATION THAT IS PROPRIETARY TO MOLEX INCORPORATED AND SHOULD NOT BE USED WITHOUT WRITTEN PERMISSION		
			MATERIAL NO. SEE BOM			

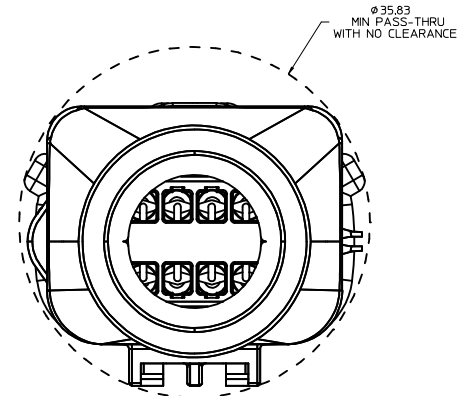
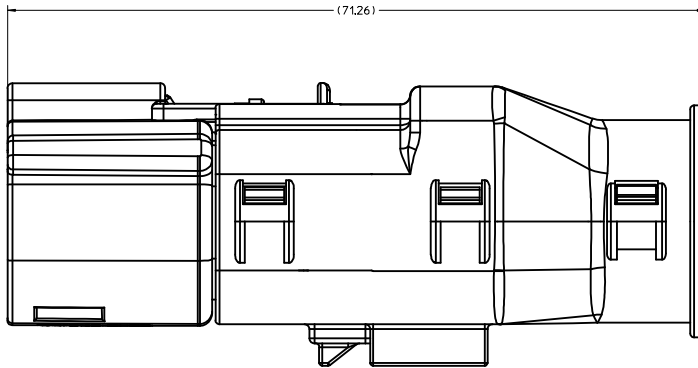
BACKSHELL



ENTER DESCRIPTION DEC NO. UAU2013-1404 DRAWN BY CHYKZ APPR:DC LISLE 2013/03/07 T REV DESCRIPTION	QUALITY SYMBOLS ∇=0 ∇=0 ∇=0		GENERAL TOLERANCES (UNLESS SPECIFIED) <table border="1"> <thead> <tr> <th></th> <th>mm</th> <th>INCH</th> </tr> </thead> <tbody> <tr> <td>4 PLACES</td> <td>± .005</td> <td>± .0005</td> </tr> <tr> <td>3 PLACES</td> <td>± .008</td> <td>± .0008</td> </tr> <tr> <td>2 PLACES</td> <td>± 0.10</td> <td>± .004</td> </tr> <tr> <td>1 PLACE</td> <td>± 0.3</td> <td>± .012</td> </tr> <tr> <td>0 PLACE</td> <td>±</td> <td>±</td> </tr> </tbody> </table>			mm	INCH	4 PLACES	± .005	± .0005	3 PLACES	± .008	± .0008	2 PLACES	± 0.10	± .004	1 PLACE	± 0.3	± .012	0 PLACE	±	±	DIMENSION STYLE MM ONLY	SCALE 4:1	DESIGN UNITS METRIC	THIRD ANGLE PROJECTION
		mm	INCH																							
	4 PLACES	± .005	± .0005																							
	3 PLACES	± .008	± .0008																							
2 PLACES	± 0.10	± .004																								
1 PLACE	± 0.3	± .012																								
0 PLACE	±	±																								
ANGULAR ± 3 ° DRAFT WHERE APPLICABLE MUST REMAIN WITHIN DIMENSIONS		DRAWN BY D. MARCOUX DATE 06-13-02		CHECKED BY D. GRIFFITHS DATE 06-13-02		APPROVED BY F. HOLUB DATE 06-13-02																				
MATERIAL NO. SEE BOM		TITLE MX150 2X6 RECEPTACLE SEALED ASSEMBLY MAT SEAL		DOCUMENT NO. SD-33472-121		SHEET NO. 5 OF 9																				
THIS DRAWING CONTAINS INFORMATION THAT IS PROPRIETARY TO MOLEX INCORPORATED AND SHOULD NOT BE USED WITHOUT WRITTEN PERMISSION																										

20 19 18 17 16 15 14 13 12 11 10 9 8 7 6 5 4 3 2 1

BACKSHELL CONFIGURATIONS



RECEPTACLE SEALED ASSEMBLY WITH RECEPTACLE BACKSHELL

ENTER DESCRIPTION DEC NO: UAU2013-1404 DRAWN BY: DRW:DAHALL CHKD: LJSLE APPR: DC LJSLE 2013/03/06 2013/03/07	QUALITY SYMBOLS ∇=0 ∇=0 ∇=0	GENERAL TOLERANCES (UNLESS SPECIFIED)		DIMENSION STYLE MM ONLY	SCALE 4:1	DESIGN UNITS METRIC	THIRD ANGLE PROJECTION		
		4 PLACES ± mm ± INCH	3 PLACES ± --- ± ---	2 PLACES ± 0.10 ± ---	1 PLACE ± 0.3 ± ---	0 PLACE ± ±	DRAWN BY: D. MARCOUX DATE: 06-13-02	CHECKED BY: D. GRIFFITHS DATE: 06-13-02	APPROVED BY: F. HOLUB DATE: 06-13-02
		ANGULAR ± 3 °		DRAFT WHERE APPLICABLE MUST REMAIN WITHIN DIMENSIONS		MATERIAL NO: SEE BOM	DOCUMENT NO: SD-33472-121		SHEET NO: 6 OF 9
		THIS DRAWING CONTAINS INFORMATION THAT IS PROPRIETARY TO MOLEX INCORPORATED AND SHOULD NOT BE USED WITHOUT WRITTEN PERMISSION							TITLE: MX150 2X6 RECEPTACLE SEALED ASSEMBLY MAT SEAL molex

19 18 17 16 15 14 13 12 11 10 9 8 7 6 5 4 3 2 1

ASSEMBLY DESCRIPTION	ASSEMBLY PART NUMBER	A	B	C	D	CPA	1	2	3	4	5	6	7	8	9	10	11	12	STATUS	COMMENTS	OPTIONAL ATTACHMENTS SOLD SEPERATELY		
VOID KEY	33472-1240																			NOT RECOMMENDED		OK TO TOOL	OK TO TOOL
KEY D W/CPA, GREEN	33472-1239				D	CPA	1					6	7							NOT RECOMMENDED		OK TO TOOL	OK TO TOOL
KEY C W/CPA, BROWN	33472-1238				C	CPA	1					6	7							NOT RECOMMENDED		OK TO TOOL	OK TO TOOL
KEY B W/CPA, LIGHT GRAY	33472-1237				B	CPA	1					6	7							NOT RECOMMENDED		OK TO TOOL	OK TO TOOL
KEY A W/CPA, BLACK	33472-1236	A				CPA	1					6	7							SALEABLE		OK TO TOOL	OK TO TOOL
VOID KEY	33472-1235																			SALEABLE		OK TO TOOL	OK TO TOOL
KEY D, GREEN	33472-1234				D		1					6	7							NOT RECOMMENDED		OK TO TOOL	OK TO TOOL
KEY C, BROWN	33472-1233				C		1					6	7							NOT RECOMMENDED		OK TO TOOL	OK TO TOOL
KEY B, LIGHT GRAY	33472-1232				B		1					6	7							SALEABLE		OK TO TOOL	OK TO TOOL
KEY A, BLACK	33472-1231	A					1					6	7							SALEABLE		OK TO TOOL	OK TO TOOL
VOID KEY	33472-1230																			SALEABLE		OK TO TOOL	OK TO TOOL
KEY D W/CPA, GREEN	33472-1229				D	CPA						6	7							NOT RECOMMENDED		OK TO TOOL	OK TO TOOL
KEY C W/CPA, BROWN	33472-1228				C	CPA						6	7							NOT RECOMMENDED		OK TO TOOL	OK TO TOOL
KEY B W/CPA, LIGHT GRAY	33472-1227				B	CPA						6	7							SALEABLE		OK TO TOOL	OK TO TOOL
KEY A W/CPA, BLACK	33472-1226	A				CPA						6	7							SALEABLE		OK TO TOOL	OK TO TOOL
VOID KEY	33472-1225																			SALEABLE		OK TO TOOL	OK TO TOOL
KEY D, GREEN	33472-1224				D							6	7							NOT RECOMMENDED		OK TO TOOL	OK TO TOOL
KEY C, BROWN	33472-1223				C							6	7							NOT RECOMMENDED		OK TO TOOL	OK TO TOOL
KEY B, LIGHT GRAY	33472-1222				B							6	7							SALEABLE		OK TO TOOL	OK TO TOOL
KEY A, BLACK	33472-1221	A										6	7							SALEABLE		OK TO TOOL	OK TO TOOL
VOID KEY	33472-1220																			SALEABLE		OK TO TOOL	OK TO TOOL
KEY D W/CPA, GREEN	33472-1219				D	CPA						6								NOT RECOMMENDED		OK TO TOOL	OK TO TOOL
KEY C W/CPA, BROWN	33472-1218				C	CPA						6								NOT RECOMMENDED		OK TO TOOL	OK TO TOOL
KEY B W/CPA, LIGHT GRAY	33472-1217				B	CPA						6								SALEABLE		OK TO TOOL	OK TO TOOL
KEY A W/CPA, BLACK	33472-1216	A				CPA						6								SALEABLE		OK TO TOOL	OK TO TOOL
VOID KEY	33472-1215																			SALEABLE		OK TO TOOL	OK TO TOOL
KEY D, GREEN	33472-1214				D							6								NOT RECOMMENDED		OK TO TOOL	OK TO TOOL
KEY C, BROWN	33472-1213				C							6								NOT RECOMMENDED		OK TO TOOL	OK TO TOOL
KEY B, LIGHT GRAY	33472-1212				B							6								SALEABLE		OK TO TOOL	OK TO TOOL
KEY A, BLACK	33472-1211	A										6								SALEABLE		OK TO TOOL	OK TO TOOL
VOID KEY	33472-1210																			SALEABLE		OK TO TOOL	OK TO TOOL
KEY D W/CPA, GREEN	33472-1209				D	CPA														NOT RECOMMENDED	SEE P/N 33472-1260	OK TO TOOL	OK TO TOOL
KEY C W/CPA, BROWN	33472-1208				C	CPA														NOT RECOMMENDED	SEE P/N 33472-1259	OK TO TOOL	OK TO TOOL
KEY B W/CPA, LIGHT GRAY	33472-1207				B	CPA														SALEABLE		OK TO TOOL	OK TO TOOL
KEY A W/CPA, BLACK	33472-1206	A				CPA														SALEABLE		OK TO TOOL	OK TO TOOL
VOID KEY	33472-1205																			SALEABLE		OK TO TOOL	OK TO TOOL
KEY D, GREEN	33472-1204				D															NOT RECOMMENDED	SEE P/N 33472-1254	OK TO TOOL	OK TO TOOL
KEY C, BROWN	33472-1203				C															NOT RECOMMENDED	SEE P/N 33472-1253	OK TO TOOL	OK TO TOOL
KEY B, LIGHT GRAY	33472-1202				B															SALEABLE		OK TO TOOL	OK TO TOOL
KEY A, BLACK	33472-1201	A																		SALEABLE		OK TO TOOL	OK TO TOOL

BLOCKED TERMINAL		
CAVITY WITH A NUMBER INDICATES BLOCKED TERMINAL POSITION		
CAVITY WITHOUT A NUMBER INDICATES OPEN TERMINAL POSITION		
MAT SEAL	LIGHT BLUE	INHERENTLY LUBRICATED SILICONE
RING SEAL	GREEN	INHERENTLY LUBRICATED SILICONE
PLR	NATURAL	SPS/NYLON GF20
GROMMET CAP	BLACK	SPS/NYLON GF20
CPA	RED	PBT GF20
HOUSING KEYING OPTION D	STONE GRAY	SPS/NYLON GF20
HOUSING KEYING OPTION C	DARK GRAY	SPS/NYLON GF20
HOUSING KEYING OPTION D	GREEN	SPS/NYLON GF20
HOUSING KEYING OPTION C	BROWN	SPS/NYLON GF20
HOUSING KEYING OPTION B	LIGHT GRAY	SPS/NYLON GF20
HOUSING KEYING OPTION A	BLACK	SPS/NYLON GF20
DESCRIPTION	COLOR	MATERIAL

ABBREVIATION	COMPONENT
A	HOUSING KEY A
B	HOUSING KEY B
C	HOUSING KEY C
D	HOUSING KEY D
GC	GROMMET CAP
M	MAT SEAL
R	RING SEAL
P	PLR
CPA	CPA
BKS	BACKSHELL

ENTER DESCRIPTION EC NO. UAU2013-1404 DRAWN BY: DRWNS/DHALL CHYK: 2013/03/06 APPR: DC LLSLE 2013/03/07 REV: 1 DESCRIPTION	QUALITY SYMBOLS ∇=0 ∇=0 ∇=0	GENERAL TOLERANCES (UNLESS SPECIFIED) DIMENSION STYLE MM ONLY SCALE DESIGN UNITS METRIC THIRD ANGLE PROJECTION	DRAWN BY: MARCOUX DATE: 06-13-02 CHECKED BY: D. GRIFFITHS DATE: 06-13-02 APPROVED BY: F. HOLUB DATE: 06-13-02	TITLE MX150 2X6 RECEPTACLE SEALED ASSEMBLY MAT SEAL molex MATERIAL NO. SEE BOM DOCUMENT NO. SD-33472-121	SHEET NO. 7 OF 9
	ANGULAR ± 3 ° DRAFT WHERE APPLICABLE MUST REMAIN WITHIN DIMENSIONS		THIS DRAWING CONTAINS INFORMATION THAT IS PROPRIETARY TO MOLEX INCORPORATED AND SHOULD NOT BE USED WITHOUT WRITTEN PERMISSION		

KEY DESCRIPTION	PART NUMBER	A	B	C	D	CPA	1	2	3	4	5	6	7	8	9	10	11	12	STATUS	COMMENTS	34951-1210 BKS WITH RIBS	34951-1220 BKS WITHOUT RIBS		
KEY A, BLACK	33472-1281	A					1			4					9			12	SALEABLE		OK TO TOOL	OK TO TOOL		
KEY A, BLACK	33472-1280	A						2					7						SALEABLE		OK TO TOOL	OK TO TOOL		
KEY A, BLACK	33472-1279	A											7				11		SALEABLE		OK TO TOOL	OK TO TOOL		
KEY B W/CPA, LIGHT GRAY	33472-1278	A	B			CPA										10	11		SALEABLE		OK TO TOOL	OK TO TOOL		
KEY A, BLACK	33472-1277	A					1						7					12	SALEABLE		OK TO TOOL	OK TO TOOL		
KEY A, BLACK	33472-1276	A					1					6							SALEABLE		OK TO TOOL	OK TO TOOL		
KEY A, BLACK	33472-1275	A					1	2	3	4	5	6		8					SALEABLE		OK TO TOOL	OK TO TOOL		
KEY A W/CPA, BLACK	33472-1274	A				CPA						6					11	12	SALEABLE		OK TO TOOL	OK TO TOOL		
KEY A, BLACK	33472-1273	A										6			9	10	11	12	SALEABLE		OK TO TOOL	OK TO TOOL		
KEY A W/CPA, BLACK	33472-1272	A				CPA						6			9	10	11	12	SALEABLE		OK TO TOOL	OK TO TOOL		
KEY A W/CPA, BLACK	33472-1271	A				CPA			4			6				10	11	12	SALEABLE		OK TO TOOL	OK TO TOOL		
KEY A W/CPA, BLACK	33472-1270	A				CPA							7		9			11	12	SALEABLE		OK TO TOOL	OK TO TOOL	
KEY A W/CPA, BLACK	33472-1269	A				CPA	1	2		4		6	7	8		10	11	12	SALEABLE		OK TO TOOL	OK TO TOOL		
KEY A W/CPA, BLACK	33472-1268	A				CPA	1						7						SALEABLE		OK TO TOOL	OK TO TOOL		
KEY D W/CPA, STONE GRAY	33472-1267	A			D	CPA	1					6	7						SALEABLE		OK TO TOOL	OK TO TOOL		
KEY A W/CPA, BLACK	33472-1266	A				CPA											11	12	SALEABLE		OK TO TOOL	OK TO TOOL		
KEY D W/CPA, STONE GRAY	33472-1265	A			D	CPA												12	SALEABLE		OK TO TOOL	OK TO TOOL		
KEY C W/CPA, DARK GRAY	33472-1264	A			C	CPA												11	12	SALEABLE		OK TO TOOL	OK TO TOOL	
KEY B W/CPA, LIGHT GRAY	33472-1263	A	B			CPA												11	12	SALEABLE		OK TO TOOL	OK TO TOOL	
KEY A W/CPA, BLACK	33472-1262	A				CPA								8	9	10	11	12	SALEABLE		OK TO TOOL	OK TO TOOL		
KEY A, BLACK	33472-1261	A													9	10			11	12	SALEABLE		OK TO TOOL	OK TO TOOL
KEY D W/CPA, STONE GRAY	33472-1260	A			D	CPA													11	12	SALEABLE		OK TO TOOL	OK TO TOOL
KEY C W/CPA, DARK GRAY	33472-1259	A			C	CPA													11	12	SALEABLE		OK TO TOOL	OK TO TOOL
KEY A, BLACK	33472-1258	A					1	2	3	4	5	6	7	8	9	10	11	12	SALEABLE		OK TO TOOL	OK TO TOOL		
KEY A, BLACK	33472-1257	A												8					11	12	SALEABLE		OK TO TOOL	OK TO TOOL
KEY A W/CPA, BLACK	33472-1256	A				CPA									9	10	11	12	SALEABLE		OK TO TOOL	OK TO TOOL		
KEY A W/CPA, BLACK	33472-1255	A				CPA											11		11	12	SALEABLE		OK TO TOOL	OK TO TOOL
KEY D, STONE GRAY	33472-1254	A			D														11	12	SALEABLE		OK TO TOOL	OK TO TOOL
KEY C, DARK GRAY	33472-1253	A			C														11	12	SALEABLE		OK TO TOOL	OK TO TOOL
KEY A W/CPA, BLACK	33472-1252	A				CPA									9	10			11	12	SALEABLE		OK TO TOOL	OK TO TOOL
KEY A, BLACK	33472-1251	A										6							11	12	SALEABLE		OK TO TOOL	OK TO TOOL
VOID KEY	33472-1250																							
KEY D W/CPA, GREEN	33472-1249	A			D	CPA	1					6	7						12	NOT RECOMMENDED		OK TO TOOL	OK TO TOOL	
KEY C W/CPA, BROWN	33472-1248	A			C	CPA	1					6	7						12	NOT RECOMMENDED		OK TO TOOL	OK TO TOOL	
KEY B W/CPA, LIGHT GRAY	33472-1247	A	B			CPA	1					6	7						12	SALEABLE		OK TO TOOL	OK TO TOOL	
KEY A W/CPA, BLACK	33472-1246	A				CPA	1					6	7						12	SALEABLE		OK TO TOOL	OK TO TOOL	
VOID KEY	33472-1245																							
KEY D, GREEN	33472-1244	A			D		1					6	7						12	NOT RECOMMENDED		OK TO TOOL	OK TO TOOL	
KEY C, BROWN	33472-1243	A			C		1					6	7						12	NOT RECOMMENDED		OK TO TOOL	OK TO TOOL	
KEY B, LIGHT GRAY	33472-1242	A	B				1					6	7						12	SALEABLE		OK TO TOOL	OK TO TOOL	
KEY A, BLACK	33472-1241	A					1					6	7						12	SALEABLE		OK TO TOOL	OK TO TOOL	

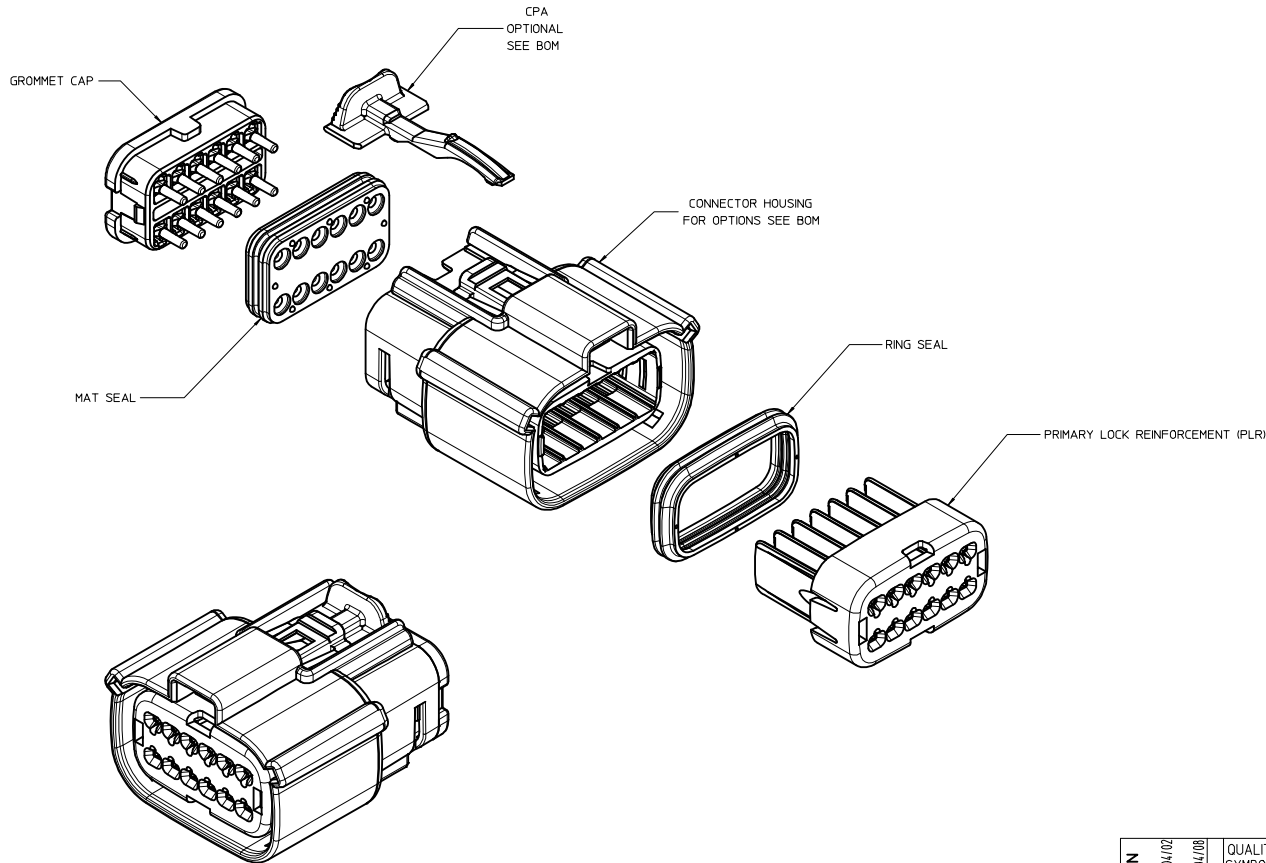
ABBREVIATION	COMPONENT
A	HOUSING KEY A
B	HOUSING KEY B
C	HOUSING KEY C
D	HOUSING KEY D
GC	GROMMET CAP
H	MAT SEAL
R	RING SEAL
P	PLR
CPA	CPA
BKS	BACKSHELL

DESCRIPTION	COLOR	MATERIAL
MAT SEAL	LIGHT BLUE	INHERENTLY LUBRICATED SILICONE
RING SEAL	GREEN	INHERENTLY LUBRICATED SILICONE
PLR	NATURAL	SPS/NYLON GF20
GROMMET CAP	BLACK	SPS/NYLON GF20
CPA	RED	PBT GF20
HOUSING KEYING OPTION D	STONE GRAY	SPS/NYLON GF20
HOUSING KEYING OPTION C	DARK GRAY	SPS/NYLON GF20
HOUSING KEYING OPTION D	GREEN	SPS/NYLON GF20
HOUSING KEYING OPTION C	BROWN	SPS/NYLON GF20
HOUSING KEYING OPTION B	LIGHT GRAY	SPS/NYLON GF20
HOUSING KEYING OPTION A	BLACK	SPS/NYLON GF20

BOM/APPLICABLE COMPONENTS TABLE

ENTER DESCRIPTION IEC NO. UAU2013-1404 DRAWN BY: DRWNSD/HALL CHKD: CHYKJ APPR: DC LLSLE 2013/03/06 2013/03/07	QUALITY SYMBOLS ∇=0 ∇=0 ∇=0	GENERAL TOLERANCES (UNLESS SPECIFIED) mm INCH		DIMENSION STYLE MM ONLY		SCALE	DESIGN UNITS	THIRD ANGLE PROJECTION	
		4 PLACES ± --- ± --- 3 PLACES ± 0.10 ± --- 2 PLACES ± 0.3 ± --- 1 PLACE ± ± --- 0 PLACE ± ± ---		DRAWN BY: MARCOUX DATE: 06-13-02 CHECKED BY: D. GRIFFITHS DATE: 06-13-02 APPROVED BY: F. HOLUB DATE: 06-13-02		METRIC	METRIC	MX150 2X6 RECEPTACLE SEALED ASSEMBLY MAT SEAL	
		ANGULAR ± 3 ° DRAFT WHERE APPLICABLE MUST REMAIN WITHIN DIMENSIONS		MATERIAL NO. SEE BOM		DOCUMENT NO. SD-33472-121		SHEET NO. 8 OF 9	
		THIS DRAWING CONTAINS INFORMATION THAT IS PROPRIETARY TO MOLEX INCORPORATED AND SHOULD NOT BE USED WITHOUT WRITTEN PERMISSION							

TABLE OF CONTENTS	
SHEET NO.	SHEET DESCRIPTION
1	NOTES
2	KEY CONFIGURATIONS
3	RECEPTACLE SEALED ASSEMBLY
4	BOM



NOTES: VALID UNLESS OTHERWISE SPECIFIED

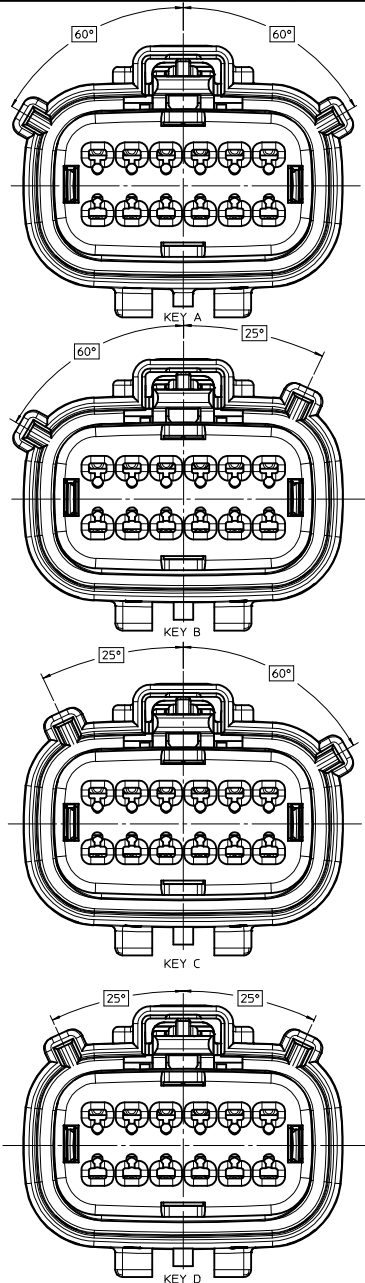
1. GENERAL:
 - a. APPLICATION SPECIFICATION SEE: AS-33472-100
 - CONTAINS: PRODUCT INTRODUCTION, PRODUCT SUMMARY, CONNECTOR ASSEMBLY, PACKAGING INFORMATION, CONNECTOR MATING, SERVICE INSTRUCTIONS, ELECTRICAL CONTINUITY CHECKING, CRIMPING, AND TROUBLESHOOTING
 - DESIGNED TO MATE WITH DEVICE CONNECTION AS SPECIFIED IN DRAWING EWCAP 150-5-012-2-201, AVAILABLE AT <http://ewcap.uscarteams.org/>
 - DESIGNED TO MATE WITH BLADE SEALED ASSEMBLY AS SPECIFIED IN DRAWING SD-33482-121
 - FOR 15mm RECEPTACLE TERMINALS TO BE USED WITH THIS ASSEMBLY. SEE MOLEX DRAWING SD-33012-002
 - SYSTEM TO BE USED WITH WIRE WITHIN DIAMETER RANGE OF 1.2 mm TO 2.69 mm.
 - ASSEMBLY SHIPPED WITH PLR AND CPA IN PRE-LOCK POSITION (SEE SECTION Z-Z PRE-LOCK)
 - IN THE EVENT THAT THE PLR IS FOUND IN THE SEATED (FINAL LOCK) POSITION, REFER TO MOLEX SPECIFICATION PS-34646-001, AVAILABLE AT www.molex.com <http://www.molex.com>
 - ASSEMBLY CONFORMS TO SAE/USCAR-2 REV.4 WITH THE FOLLOWING EXCEPTIONS: ENGAGEMENT FORCE TO MOVE CPA FROM PRE-LOCK TO FINAL LOCK POSITION WHEN UNMATED: 40N MIN. DISENGAGEMENT FORCE TO MOVE CPA FROM FINAL LOCK TO PRE-LOCK POSITION: 3N MIN. 40N MAX. TERMINAL INSERTION FORCE FOR WIRE DIAMETER ABOVE 2.5mm NOT EXCEEDING 2.69mm SHALL NOT EXCEED 40 NEWTONS.
 - b. PRODUCT SPECIFICATION SEE: PS-33472-000
 - CONTAINS: PRODUCT INTRODUCTION, PRODUCT SUMMARY, RATINGS (CURRENT, TEMPERATURE, SEALING, AND FLAMMABILITY), AND PRODUCT VALIDATION.
 - c. PACKAGING SPECIFICATION PER MOLEX DRAWING: PK-31300-903
 - d. PARTS MUST BE IN COMPLIANCE TO MOLEX CHEMICAL SUBSTANCES FOR PRODUCTS AND PACKAGING SPECIFICATION: ES-40000-5016
 - e. DATA MUST BE SUBMITTED UNDER THE MOLEX PART NUMBER TO IMDS (COMPANY ID#13255)
 - f. FOR INFORMATION ON 2X6 RECEPTACLE SEALED ASSEMBLY WITHOUT CLIPSLOT SEE SD-33472-121
2. DESIGN - MATERIALS:
 - a. CONNECTOR HOUSING: GROMMET CAP, PLR: SPS/NYLON 20% GLASS FILLED
 - b. MAT SEAL: INTERNALLY LUBRICATED SILICONE
3. DESIGN - GEOMETRY:
 - a. THIS IS A 100% CAD GENERATED PART. THE CAD MATHEMATICAL DATA IS THE MASTER FOR THIS PART. FOR DIMENSIONAL OR ANY INFORMATION NOT SHOWN ON THIS DRAWING, ANALYZE THE CAD MODEL.
 - b. GEOMETRIC DIMENSIONS AND TOLERANCES PER ASME Y14.5M - 1994
 - c. EDGES AND UNDIMENSIONED DETAILS PER ISO19715
 - d. CORNERS SHOWN AS SHARP TO BE R 0.2 MAX.
 - e. LETTERING SHALL BE 0.15 MAX RAISED IN 0.25 MAX RECESS PAD. THIS INCLUDES RECYCLING CODE, CAVITY ID, VENDOR IDENTIFICATION, AND CUSTOMER MATERIAL NUMBER.
 - f. VISUAL DEFECTS SHALL MEET COSMETIC STANDARD PS-45499-002 (Class B)
 - g. LASER MARKING: TBD

INSPECTION NUMBER LOG
 LAST NUMBER USED:
 ADDED:
 REMOVED:

AA7	ADD NEW P/N 33472-1416
AA6	ADD NEW P/N 33472-1415
AA5	ADD NEW P/N 33472-1407 33472-1408 33472-1409 33472-1410 33472-1411 33472-1412 33472-1413 33472-1414
	UPDATE STATUS 33472-1303 33472-1304 33472-1308 33472-1309 33472-1313 33472-1314 33472-1318 33472-1319
	UPDATED DIMENSIONS TO MATCH MODEL
	ADD NEW P/N 33472-1401 33472-1402 33472-1404 33472-1404 33472-1405 33472-1406
AA4	ADD NEW P/N 33472-1398 33472-1399 33472-1400
AA3	UPDATED NOTES
AA2	ADD NEW P/N 33472-1392 33472-1393 33472-1394 33472-1395 33472-1396 33472-1397
AA1	DESCRIPTION
AA	

ENTER DESCRIPTION EDC NO: UAU2013-1547 DRAWN BY: 2013/04/02 CHKD: APPR: IKOSHY DESCRIPTION: 2013/04/02 REV: AA7	QUALITY SYMBOLS	GENERAL TOLERANCES (UNLESS SPECIFIED)	DIMENSION STYLE	SCALE	DESIGN UNITS	THIRD ANGLE	TITLE	MATERIAL NO.	DOCUMENT NO.	SHEET NO.	
	▽=0	mm INCH	MM ONLY	3:1	METRIC	☉	MX150 2X6 RECEPTACLE SEALED ASSEMBLY MAT SEAL, CLIPSLOT	SEE BOM	SD-33472-131	1 OF 4	
	▽=0	4 PLACES ± --- ± --- 3 PLACES ± --- ± --- 2 PLACES ± 0.10 ± --- 1 PLACE ± 0.3 ± --- 0 PLACE ± ±	D, GR1FF1THS 10-10-03 D, GR1FF1THS 10-10-03 D, GR1FF1THS 10-10-03 D, GR1FF1THS 10-10-03	DRAWN BY DATE CHECKED BY DATE APPROVED BY DATE							
	▽=0	ANGULAR ± 3 ° DRAFT WHERE APPLICABLE MUST REMAIN WITHIN DIMENSIONS		SIZE D							

KEY CONFIGURATIONS



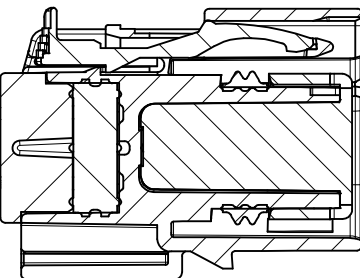
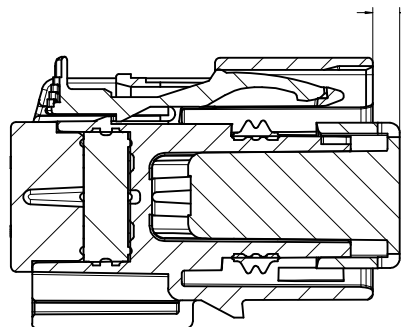
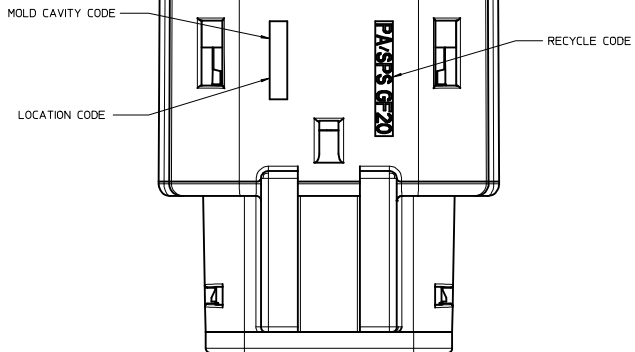
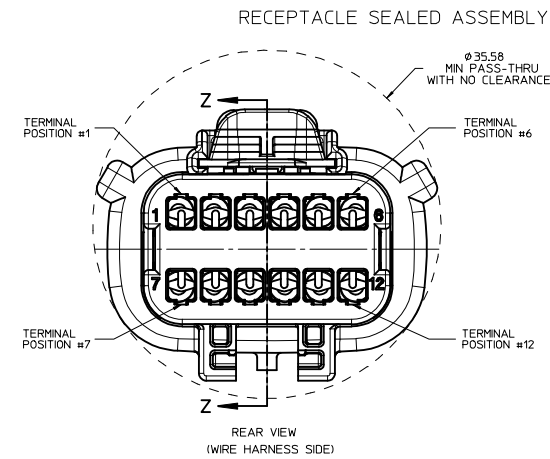
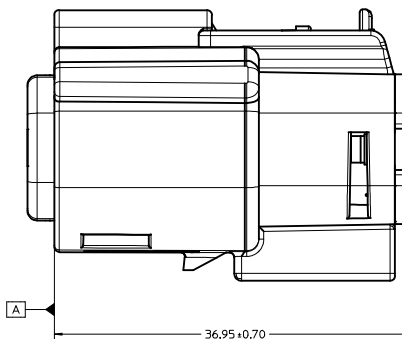
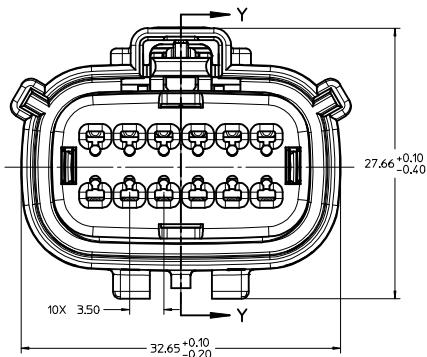
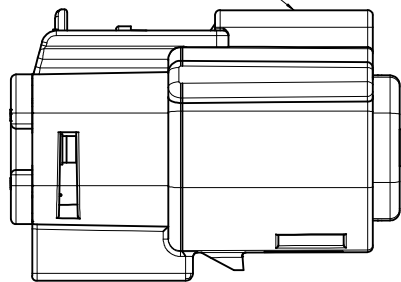
ENTER DESCRIPTION EC NO. UAU2013-1547 DRAWN BY CHYK APPR: WOSHY 2013/04/02 2013/04/08	QUALITY SYMBOLS ∇=0 ∇=0 ∇=0	GENERAL TOLERANCES (UNLESS SPECIFIED)		DIMENSION STYLE MM ONLY	SCALE 4:1	DESIGN UNITS METRIC	THIRD ANGLE PROJECTION
		4 PLACES ± mm ± INCH 3 PLACES ± --- ± --- 2 PLACES ± 0.10 ± --- 1 PLACE ± 0.3 ± --- 0 PLACE ± ±	ANGULAR ± 3 ° DRAFT WHERE APPLICABLE MUST REMAIN WITHIN DIMENSIONS	DRAWN BY DATE D. GRIFFITHS 10-10-03	CHECKED BY DATE D. GRIFFITHS 10-10-03	APPROVED BY DATE D. GRIFFITHS 10-10-03	MATERIAL NO. SEE BOM

TITLE
MX150 2X6 RECEPTACLE SEALED ASSEMBLY MAT SEAL, CLIPSLOT



THIS DRAWING CONTAINS INFORMATION THAT IS PROPRIETARY TO MOLEX INCORPORATED AND SHOULD NOT BE USED WITHOUT WRITTEN PERMISSION

OPTIONAL LASER MARKING ON THIS SURFACE SEE NOTE 3g.

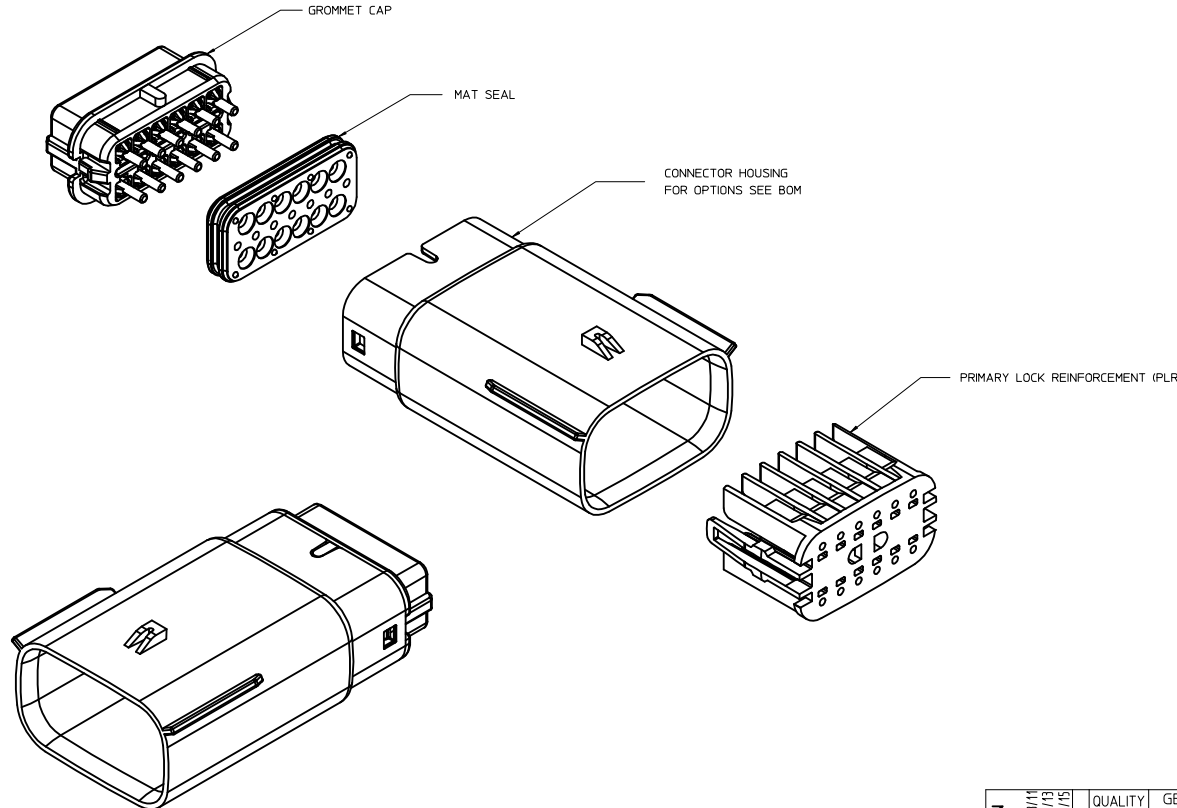


PRIMARY LOCK REINFORCEMENT (PLR) SHOWN IN PRE-STAGED POSITION
SECTION Z-Z

PRIMARY LOCK REINFORCEMENT (PLR) SHOWN IN FINAL-LOCK POSITION
SECTION Y-Y

ENTER DESCRIPTION ELEC NO. UAU2013-1547 DRAWN BY CHYK APPR: WOSHY 2013/04/02 2013/04/08 AA7	QUALITY SYMBOLS	GENERAL TOLERANCES (UNLESS SPECIFIED)	DIMENSION STYLE	SCALE	DESIGN UNITS	THIRD ANGLE PROJECTION
	∇=0 ∇=0 ∇=0	mm INCH 4 PLACES ± --- ± --- 3 PLACES ± --- ± --- 2 PLACES ± 0.10 ± --- 1 PLACE ± 0.3 ± --- 0 PLACE ± ±	MM ONLY	4:1	METRIC	DRAWN BY DATE D. GRIFFITHS 10-10-03 CHECKED BY DATE D. GRIFFITHS 10-10-03 APPROVED BY DATE D. GRIFFITHS 10-10-03
	ANGULAR ± 3 ° DRAFT WHERE APPLICABLE MUST REMAIN WITHIN DIMENSIONS	MATERIAL NO. SEE BOM SIZE D	TITLE MX150 2X6 RECEPTACLE SEALED ASSEMBLY MAT SEAL, CLIPSLOT molex DOCUMENT NO. SD-33472-131	SHEET NO. 3 OF 4		
	THIS DRAWING CONTAINS INFORMATION THAT IS PROPRIETARY TO MOLEX INCORPORATED AND SHOULD NOT BE USED WITHOUT WRITTEN PERMISSION					

TABLE OF CONTENTS	
SHEET NO.	SHEET DESCRIPTION
1	NOTES
2	KEY CONFIGURATIONS
3	BLADE SEALED ASSEMBLY
4	SYSTEM PACKAGING
5	BACKSHELL NOTES
6	BACKSHELL
7	BACKSHELL CONFIGURATIONS
8-10	BOM



NOTES: VALID UNLESS OTHERWISE SPECIFIED

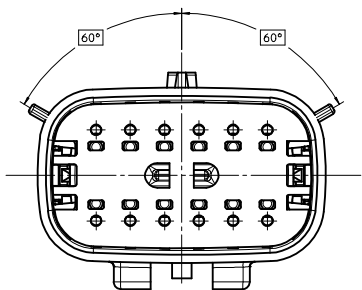
1. GENERAL:
 - a. APPLICATION SPECIFICATION SEE: AS-33472-100
CONTAINS: PRODUCT INTRODUCTION, PRODUCT SUMMARY, CONNECTOR ASSEMBLY, PACKAGING INFORMATION, CONNECTOR MATING, SERVICE INSTRUCTIONS, ELECTRICAL CONTINUITY CHECKING, CRIMPING, AND TROUBLESHOOTING.
-DESIGNED TO MATE WITH RECEPTACLE HOUSING ASSEMBLY SPECIFIED IN MOLEX CHARTED DRAWING SD-33472-121 AND SD-33472-131
-FOR 1.5mm BLADE TERMINALS TO BE USED WITH THIS ASSEMBLY SEE MOLEX DRAWING SD-33000-001
- SYSTEM TO BE USED WITH WIRE WITHIN DIAMETER RANGE OF 1.2mm TO 2.69mm.
-ASSEMBLY SHIPPED WITH PLR IN PRE-LOCK POSITION
-IN THE EVENT THAT THE PLR IS FOUND IN THE SEATED (FINAL LOCK) POSITION, REFER TO MOLEX SPECIFICATION PS-34646-001, AVAILABLE AT www.molex.com <<http://www.molex.com>>
-ASSEMBLY CONFORMS TO SAE/J596-2 REV.4 WITH THE FOLLOWING EXCEPTIONS:
TERMINAL INSERTION FORCE FOR WIRE DIAMETER ABOVE 2.5mm NOT EXCEEDING 2.69mm SHALL NOT EXCEED 45 NEWTONS.
 - b. PRODUCT SPECIFICATION SEE: PS-33472-000
CONTAINS: PRODUCT INTRODUCTION, PRODUCT SUMMARY, RATINGS (CURRENT, TEMPERATURE, SEALING, AND FLAMMABILITY), AND PRODUCT VALIDATION.
 - c. PACKAGING SPECIFICATION PER MOLEX DRAWING: PK-31300-635
 - d. PARTS MUST BE IN COMPLIANCE TO MOLEX CHEMICAL SUBSTANCES FOR PRODUCTS AND PACKAGING SPECIFICATION: ES-40000-5016
 - e. DATA MUST BE SUBMITTED UNDER THE MOLEX PART NUMBER TO IMDS (COMPANY ID#13255)
2. DESIGN - MATERIALS:
 - a. SEE BOM TABLE
3. DESIGN - GEOMETRY:
 - a. THIS IS A 100% CAD GENERATED PART. THE CAD MATHEMATICAL DATA IS THE MASTER FOR THIS PART. FOR DIMENSIONAL OR ANY INFORMATION NOT SHOWN ON THIS DRAWING, ANALYZE THE CAD MODEL.
 - b. GEOMETRIC DIMENSIONS AND TOLERANCES PER ASME Y14.5M - 1994
 - c. EDGES AND UNDIMENSIONED DETAILS PER ISO13715
 - d. CORNERS SHOWN AS SHARP TO BE R 0.2 MAX.
 - e. LETTERING SHALL BE 0.15 MAX RAISED IN 0.25 MAX RECESS PAD. THIS INCLUDES RECYCLING CODE, CAVITY ID, VENDOR IDENTIFICATION, AND CUSTOMER MATERIAL NUMBER.
 - f. VISUAL DEFECTS SHALL MEET COSMETIC STANDARD PS-45499-002 (Class B) CAD MODEL.
 - g. LASER MARKING: TBD

INSPECTION LOG
LAST NUMBER USED:
ADDED:
REMOVED:

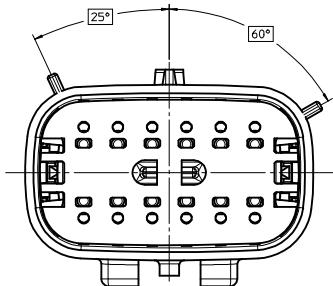
Z	UPDATED GROMMET CAP
Y11	RENAMED BACKSHELLS
Y10	ADD NEW P/N 33482-1311
Y9	ADD NEW P/N 33482-1309 33482-1310
Y8	ADD NEW P/N 33482-1308
Y7	ADD NEW P/N 33482-1307
Y6	ADD NEW P/N 33482-1305 33482-1306
Y5	CORRECTED TOLERANCE SHEET 3
Y4	ADDED BACKSHELL
Y3	ADD NEW P/N 33482-1303 33482-1304
Y2	ADD NEW P/N 33482-1302
Y1	ADD NEW P/N 33482-1301
Y	ADD NEW P/N 33482-1299 33482-1300
X	REDRAWN
REV	DESCRIPTION

ENTER DESCRIPTION EC NO: UAU2013-1432 DRAWN BY: CHYKHOVICK CHECKED BY: APPR: IKOSHY DATE: 2013/03/11 DATE: 2013/03/13 DATE: 2013/03/15	QUALITY SYMBOLS	GENERAL TOLERANCES (UNLESS SPECIFIED)	DIMENSION STYLE	SCALE	DESIGN UNITS	THIRD ANGLE PROJECTION
	∇=0 ∇=0 ∇=0	4 PLACES ± --- ± --- 3 PLACES ± --- ± --- 2 PLACES ± 0.10 ± --- 1 PLACE ± 0.3 ± --- 0 PLACE ± ±	MM ONLY DRAWN BY: DATE: 05-16-03 CHECKED BY: DATE: 05-16-03 DGR1FF1THS APPROVED BY: DATE: 05-16-03 DGR1FF1THS	3:1 METRIC	MX150 2X6 BLADE SEALED ASSEMBLY MAT SEAL molex	
	ANGULAR ± 3 ° DRAFT WHERE APPLICABLE MUST REMAIN WITHIN DIMENSIONS	MATERIAL NO. SEE BOM	DOCUMENT NO. SD-33482-121	SHEET NO. 1 OF 10		
	THIS DRAWING CONTAINS INFORMATION THAT IS PROPRIETARY TO MOLEX INCORPORATED AND SHOULD NOT BE USED WITHOUT WRITTEN PERMISSION					

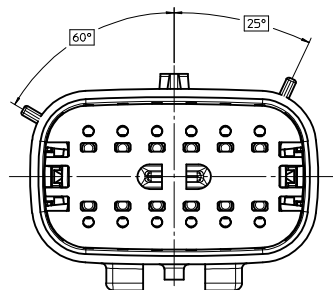
KEY CONFIGURATIONS



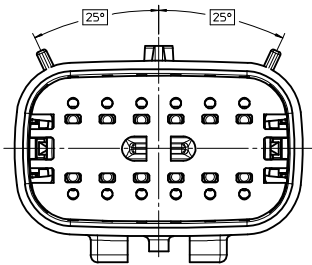
KEY A



KEY B



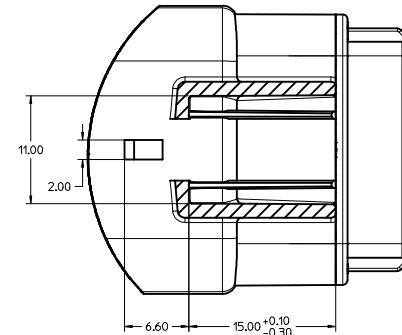
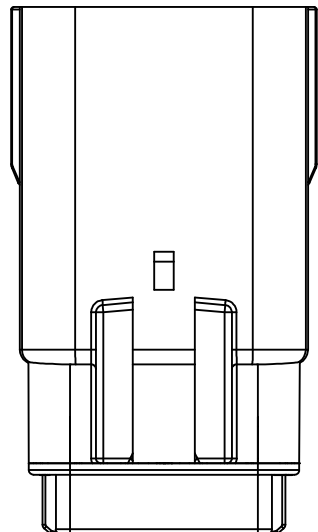
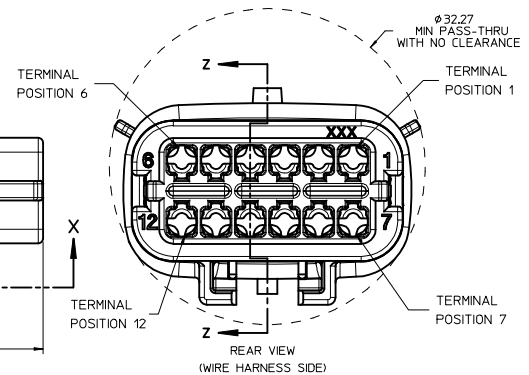
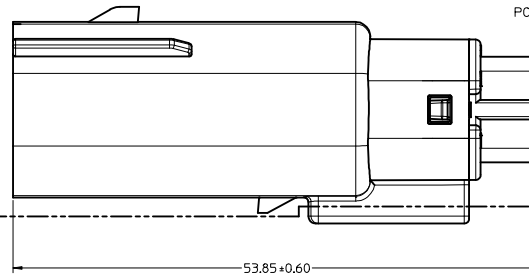
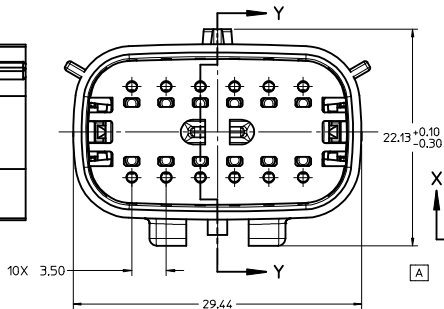
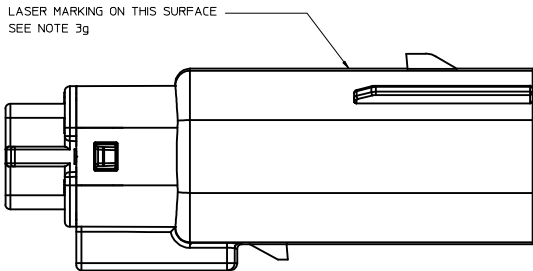
KEY C



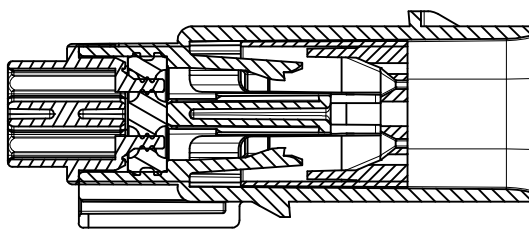
KEY D

ENTER DESCRIPTION IEC NO: UAU2013-1432 DRAWN: APPROFIT 2013/03/11 CHYK: MOICK 2013/03/13 APPR: IKOSHY 2013/03/15 REVISIONS N DESCRIPTION	QUALITY SYMBOLS	GENERAL TOLERANCES (UNLESS SPECIFIED)	DIMENSION STYLE	SCALE	DESIGN UNITS	THIRD ANGLE PROJECTION
	▽=0	4 PLACES ± mm ± INCH	MM ONLY	4:1	METRIC	☉
	▽=0	3 PLACES ± 0.10	DRAWN BY DATE	TITLE		
	▽=0	2 PLACES ± 0.3	CHECKED BY DATE	MX150 2X6 BLADE SEALED ASSEMBLY MAT SEAL		
	ANGULAR ± 3°	1 PLACE ±	APPROVED BY DATE	molex		
	DRAFT WHERE APPLICABLE MUST REMAIN WITHIN DIMENSIONS	0 PLACE ±	DGRIFITHS 05-16-03	DOCUMENT NO. SD-33482-121		
			DGRIFITHS 05-16-03	SHEET NO. 2 OF 10		
			MATERIAL NO. SEE BOM	THIS DRAWING CONTAINS INFORMATION THAT IS PROPRIETARY TO MOLEX INCORPORATED AND SHOULD NOT BE USED WITHOUT WRITTEN PERMISSION		

BLADE SEALED ASSEMBLY

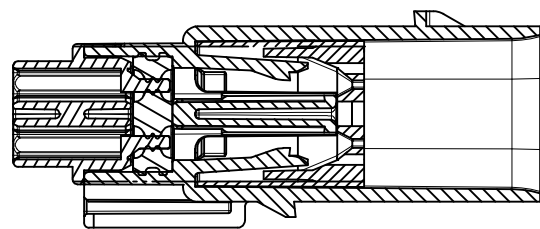


Partial X-X
SCALE 4:1



PRIMARY LOCK REINFORCER (PLR) SHOWN
IN PRE-STAGED POSITION

SECTION Z-Z



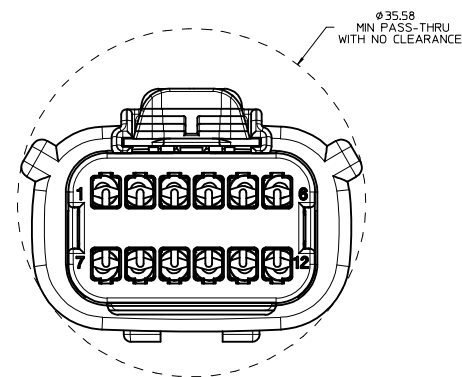
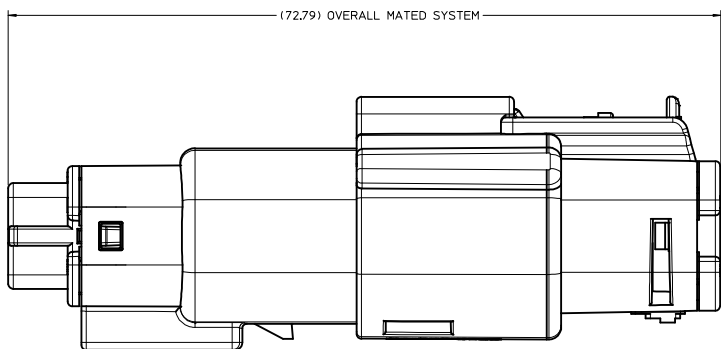
PRIMARY LOCK REINFORCER (PLR) SHOWN
IN FINAL-LOCK POSITION

SECTION Y-Y

ENTER DESCRIPTION IEC NO. UAU2013-1432 DRAWN/PROFIT 2013/03/13 CHKD/MDLCK 2013/03/13 APPR./KOSHY 2013/03/15 REV DESCRIPTION	QUALITY SYMBOLS	GENERAL TOLERANCES (UNLESS SPECIFIED)	DIMENSION STYLE	SCALE	DESIGN UNITS	THIRD ANGLE PROJECTION	
	∇=0 ∇=0 ∇=0	mm INCH 4 PLACES ± --- ± --- 3 PLACES ± --- ± --- 2 PLACES ± 0.10 ± --- 1 PLACE ± 0.3 ± --- 0 PLACE ± ±	MM ONLY	4:1	METRIC	DRAWN BY DATE DGRIF ITHS 05-16-03 CHECKED BY DATE DGRIF ITHS 05-16-03 APPROVED BY DATE DGRIF ITHS 05-16-03	TITLE MX150 2X6 BLADE SEALED ASSEMBLY MAT SEAL molex DOCUMENT NO. SD-33482-121
	ANGULAR ± 3 ° DRAFT WHERE APPLICABLE MUST REMAIN WITHIN DIMENSIONS	MATERIAL NO.	SIZE	SEE BOM	SHEET NO.	3 OF 10	
			D	THIS DRAWING CONTAINS INFORMATION THAT IS PROPRIETARY TO MOLEX INCORPORATED AND SHOULD NOT BE USED WITHOUT WRITTEN PERMISSION			

20 19 18 17 16 15 14 13 12 11 10 9 8 7 6 5 4 3 2 1

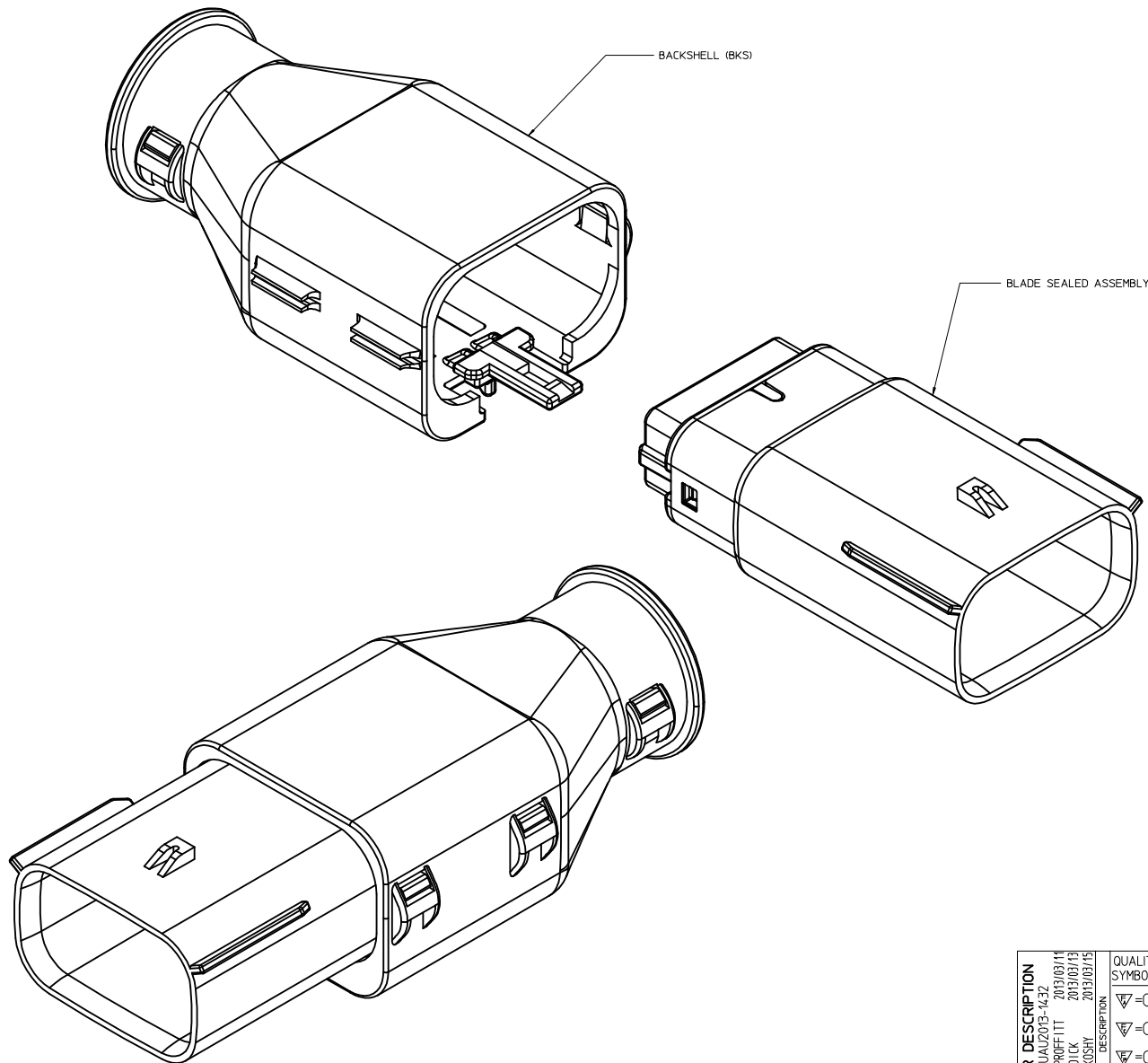
SYSTEM PACKAGING



ENTER DESCRIPTION IEC NO. UAU2013-1432 DRAWN BY: CHYKHOLOK 2013/03/13 APPR: WKOUSHY 2013/03/15	QUALITY SYMBOLS	GENERAL TOLERANCES (UNLESS SPECIFIED)	DIMENSION STYLE	SCALE	DESIGN UNITS	THIRD ANGLE PROJECTION
	$\nabla=0$ $\nabla=0$ $\nabla=0$	mm INCH 4 PLACES ± ± 3 PLACES ± ± 2 PLACES ±0.10 ± ± 1 PLACE ±0.3 ± ± 0 PLACE ± ±	MM ONLY	4:1	METRIC	
	ANGLULAR ± 3 ° DRAFT WHERE APPLICABLE MUST REMAIN WITHIN DIMENSIONS	DRAWN BY: DGRIFFI THS DATE: 05-16-03 CHECKED BY: DGRIFFI THS DATE: 05-16-03 APPROVED BY: DGRIFFI THS DATE: 05-16-03	TITLE: MX150 2X6 BLADE SEALED ASSEMBLY MAT SEAL molex	MATERIAL NO.: SEE BOM DOCUMENT NO.: SD-33482-121	SHEET NO.: 4 OF 10	
	SIZE: D THIS DRAWING CONTAINS INFORMATION THAT IS PROPRIETARY TO MOLEX INCORPORATED AND SHOULD NOT BE USED WITHOUT WRITTEN PERMISSION					

19 18 17 16 15 14 13 12 11 10 9 8 7 6 5 4 3 2 1

BACKSHELL NOTES



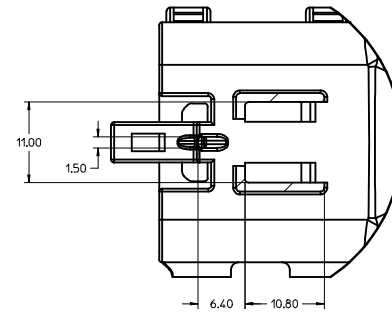
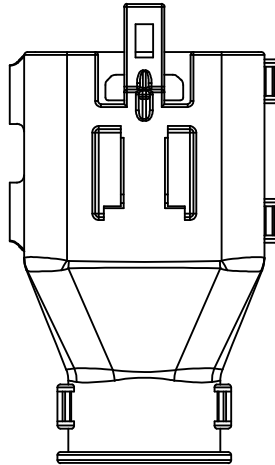
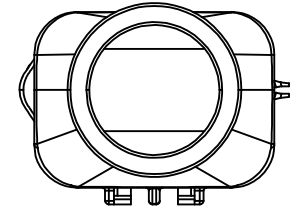
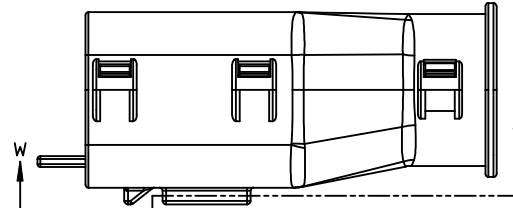
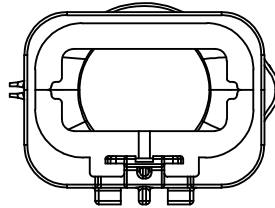
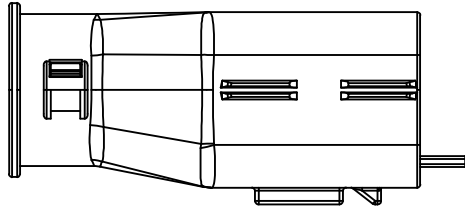
BACKSHELL NOTES: VALID UNLESS OTHERWISE SPECIFIED

1. GENERAL:
 - a. APPLICATION SPECIFICATION SEE: AS-*****TBD*****
 - DESIGNED TO MATE WITH BLADE SEALED ASSEMBLY SPECIFIED IN MOLEX DRAWING SD-33482-121.
 - SYSTEM TO BE USED WITH WIRE WITHIN DIAMETER RANGE OF TBDmm TO TBDmm.
 - COMPONENTS ARE OPTIONAL AND MUST BE PURCHASED SEPARATELY
 - BACKSHELL DESIGN IS OWNED BY SCHLEMMER
 - b. PRODUCT SPECIFICATION SEE: PS-*****TBD*****
 - c. PACKAGING SPECIFICATION PER MOLEX DRAWING: PK-*****TBD*****
 - d. PARTS MUST BE IN COMPLIANCE TO MOLEX CHEMICAL SUBSTANCES FOR PRODUCTS AND PACKAGING SPECIFICATION: ES-40000-5016
 - e. DATA MUST BE SUBMITTED UNDER THE MOLEX PART NUMBER TO IMDS (COMPANY ID#13255)
2. DESIGN - MATERIALS:
 - a. PA66 0% GLASS FILLED
 - b. BLACK
3. DESIGN - GEOMETRY:
 - a. THIS IS A 100% CAD GENERATED PART. THE CAD MATHEMATICAL DATA IS THE MASTER FOR THIS PART. FOR DIMENSIONAL OR ANY INFORMATION NOT SHOWN ON THIS DRAWING, ANALYZE THE CAD MODEL.
 - b. GEOMETRIC DIMENSIONS AND TOLERANCES PER ASME Y14.5M - 2009
 - c. EDGES AND UNDIMENSIONED DETAILS PER ISO13715
 - d. CORNERS SHOWN AS SHARP TO BE R 0.2 MAX.
 - e. VISUAL DEFECTS SHALL MEET COSMETIC STANDARD PS-45499-002 (Class B).

ENTER DESCRIPTION IEC NO: JAU2013-1432 DRAWN BY: CHYKHOLOK CHECKED BY: APPR:VKOSHY DATE: 2013/03/13 DATE: 2013/03/15	QUALITY SYMBOLS	GENERAL TOLERANCES (UNLESS SPECIFIED)	DIMENSION STYLE	SCALE	DESIGN UNITS	THIRD ANGLE PROJECTION
	▽=0	mm INCH	MM ONLY	2:1	METRIC	☉
	▽=0	4 PLACES ± 0.10	DRAWN BY: DGRIFITHS	DATE: 05-16-03	MX150 2X6 BLADE SEALED ASSEMBLY MAT SEAL molex MATERIAL NO: SEE BOM DOCUMENT NO: SD-33482-121	
	▽=0	3 PLACES ± 0.03	CHECKED BY: DGRIFITHS	DATE: 05-16-03		
▽=0	1 PLACE ± 0.3	APPROVED BY: DGRIFITHS	DATE: 05-16-03			
REV	DESCRIPTION	ANGULAR ± 3 °	DRAFT WHERE APPLICABLE MUST REMAIN WITHIN DIMENSIONS	SIZE D	SHEET NO. 5 OF 10 THIS DRAWING CONTAINS INFORMATION THAT IS PROPRIETARY TO MOLEX INCORPORATED AND SHOULD NOT BE USED WITHOUT WRITTEN PERMISSION	

20 19 18 17 16 15 14 13 12 11 10 9 8 7 6 5 4 3 2 1

BACKSHELL



Partial W-W
SCALE 3:1

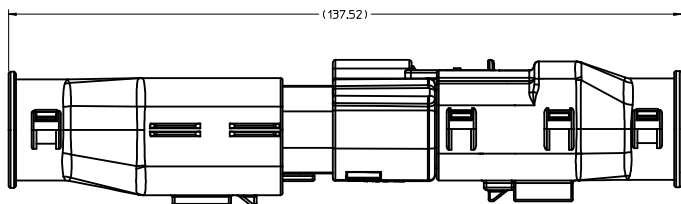
ENTER DESCRIPTION IEC NO: UAU2013-1432 DRAWN/PROFIT: 2013/03/11 CHECK/DOCK: 2013/03/13 APPR:VKOSHY 2013/03/15	QUALITY SYMBOLS ∇=0 ∇=0 ∇=0	GENERAL TOLERANCES (UNLESS SPECIFIED)		DIMENSION STYLE MM ONLY	SCALE 3:1	DESIGN UNITS METRIC	THIRD ANGLE PROJECTION		
		4 PLACES ± --- ± --- 3 PLACES ± --- ± --- 2 PLACES ± 0.10 ± --- 1 PLACE ± 0.3 ± --- 0 PLACE ± ±	mm INCH	DRAWN BY DGRIFFI THS	DATE 05-16-03	TITLE MX150 2X6 BLADE SEALED ASSEMBLY MAT SEAL			
		ANGULAR ± 3 ° DRAFT WHERE APPLICABLE MUST REMAIN WITHIN DIMENSIONS		CHECKED BY DGRIFFI THS	DATE 05-16-03	MATERIAL NO. SEE BOM			
				APPROVED BY DGRIFFI THS	DATE 05-16-03	DOCUMENT NO. SD-33482-121	SHEET NO. 6 OF 10		

molex

THIS DRAWING CONTAINS INFORMATION THAT IS PROPRIETARY TO MOLEX INCORPORATED AND SHOULD NOT BE USED WITHOUT WRITTEN PERMISSION

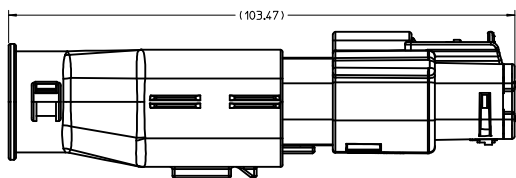
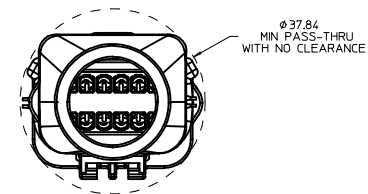
19 18 17 16 15 14 13 12 11 10 9 8 7 6 5 4 3 2 1

20 19 18 17 16 15 14 13 12 11 10 9 8 7 6 5 4 3 2 1

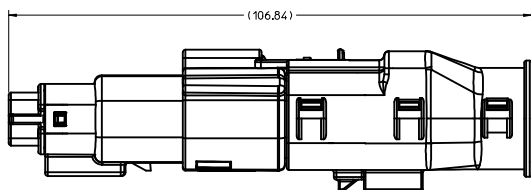
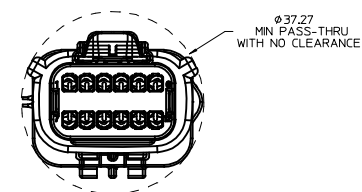


OVERALL MATED SYSTEM WITH BLADE AND RECEPTACLE BACKSHELL

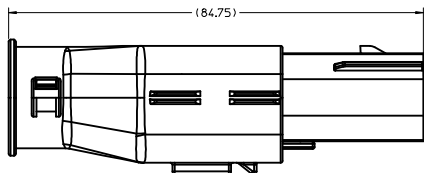
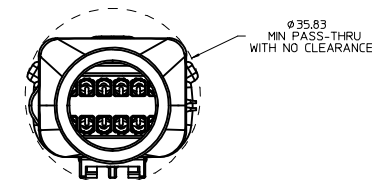
BACKSHELL CONFIGURATIONS



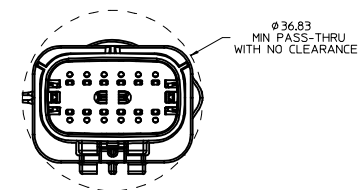
OVERALL MATED SYSTEM WITH BLADE BACKSHELL



OVERALL MATED SYSTEM WITH RECEPTACLE BACKSHELL



BLADE SEALED ASSEMBLY WITH BLADE BACKSHELL



ENTER DESCRIPTION IEC NO. UAU2013-1432 DRAWN BY CHYKHOLOK 2013/03/11 CHECKED BY APPR:VKOSHY 2013/03/15 REV DESCRIPTION	QUALITY SYMBOLS	GENERAL TOLERANCES (UNLESS SPECIFIED)	DIMENSION STYLE	SCALE	DESIGN UNITS	THIRD ANGLE PROJECTION
	▽=0	mm INCH	MM ONLY	1:1	METRIC	☉
	▽=0	4 PLACES ± --- ± ---	DRAWN BY DATE	TITLE MX150 2X6 BLADE SEALED ASSEMBLY MAT SEAL molex		
	▽=0	3 PLACES ± --- ± ---	DGRIFITHS 05-16-03			
▽=0	2 PLACES ± 0.10 ± ---	CHECKED BY DATE	DOCUMENT NO. SD-33482-121			
▽=0	1 PLACE ± 0.3 ± ---	DGRIFITHS 05-16-03				
	0 PLACE ± ±	APPROVED BY DATE	SHEET NO. 7 OF 10			
	ANGULAR ± 3 °	DGRIFITHS 05-16-03				
DRAFT WHERE APPLICABLE MUST REMAIN WITHIN DIMENSIONS		MATERIAL NO.	THIS DRAWING CONTAINS INFORMATION THAT IS PROPRIETARY TO MOLEX INCORPORATED AND SHOULD NOT BE USED WITHOUT WRITTEN PERMISSION			
		SEE BOM				

19 18 17 16 15 14 13 12 11 10 9 8 7 6 5 4 3 2 1

ASSEMBLY DESCRIPTION	ASSEMBLY PART NUMBER	A	B	C	D	1	2	3	4	5	6	7	8	9	10	11	12	STATUS	COMMENTS	34950-1210 BKS WITH RIBS	34950-1220 BKS WITHOUT RIBS
KEY A, BLACK	33482-1240	A					2	3					8	9	10	11			OK TO TOOL	OK TO TOOL	
KEY A, BLACK	33482-1239	A				1				5	6	7	8						OK TO TOOL	OK TO TOOL	
KEY B, LIGHT GRAY	33482-1238	B					2							9	10				OK TO TOOL	OK TO TOOL	
KEY A, BLACK	33482-1237	A					2												OK TO TOOL	OK TO TOOL	
KEY B, LIGHT GRAY	33482-1236	B				1				5	6	7	8	9	10				OK TO TOOL	OK TO TOOL	
KEY A, BLACK	33482-1235	A					2	3				6	7	8	10	11			OK TO TOOL	OK TO TOOL	
KEY A, BLACK	33482-1234	A										6	7						OK TO TOOL	OK TO TOOL	
KEY A, BLACK	33482-1233	A					2	3		5	6	7	8			11			OK TO TOOL	OK TO TOOL	
KEY A, BLACK	33482-1232	A					2	3					8			11			OK TO TOOL	OK TO TOOL	
VOID KEY	33482-1231																				
KEY D, GREEN	33482-1230			D		1	2	3	4	5	6	7	8	9	10	11	12	NOT RECOMMENDED	SEE P/N 33482-1264	OK TO TOOL	OK TO TOOL
KEY C, BROWN	33482-1229			C		1	2	3	4	5	6	7	8	9	10	11	12	NOT RECOMMENDED	SEE P/N 33482-1263	OK TO TOOL	OK TO TOOL
KEY B, LIGHT GRAY	33482-1228	B				1	2	3	4	5	6	7	8	9	10	11	12			OK TO TOOL	OK TO TOOL
KEY A, BLACK	33482-1227	A				1	2	3	4	5	6	7	8	9	10	11	12			OK TO TOOL	OK TO TOOL
KEY A, BLACK	33482-1226	A									6						12			OK TO TOOL	OK TO TOOL
VOID KEY	33482-1225																				
KEY D, GREEN	33482-1224			D		1					6	7				12		NOT RECOMMENDED		OK TO TOOL	OK TO TOOL
KEY C, BROWN	33482-1223			C		1					6	7				12		NOT RECOMMENDED		OK TO TOOL	OK TO TOOL
KEY B, LIGHT GRAY	33482-1222	B				1					6	7				12				OK TO TOOL	OK TO TOOL
KEY A, BLACK	33482-1221	A				1					6	7				12				OK TO TOOL	OK TO TOOL
VOID KEY	33482-1220																				
KEY D, GREEN	33482-1219			D		1					6	7						NOT RECOMMENDED		OK TO TOOL	OK TO TOOL
KEY C, BROWN	33482-1218			C		1					6	7						NOT RECOMMENDED		OK TO TOOL	OK TO TOOL
KEY B, LIGHT GRAY	33482-1217	B				1					6	7								OK TO TOOL	OK TO TOOL
KEY A, BLACK	33482-1216	A				1					6	7								OK TO TOOL	OK TO TOOL
VOID KEY	33482-1215																				
KEY D, GREEN	33482-1214			D							6	7						NOT RECOMMENDED		OK TO TOOL	OK TO TOOL
KEY C, BROWN	33482-1213			C							6	7						NOT RECOMMENDED		OK TO TOOL	OK TO TOOL
KEY B, LIGHT GRAY	33482-1212	B									6	7								OK TO TOOL	OK TO TOOL
KEY A, BLACK	33482-1211	A									6	7								OK TO TOOL	OK TO TOOL
VOID KEY	33482-1210																				
KEY D, GREEN	33482-1209			D							6							NOT RECOMMENDED		OK TO TOOL	OK TO TOOL
KEY C, BROWN	33482-1208			C							6							NOT RECOMMENDED		OK TO TOOL	OK TO TOOL
KEY B, LIGHT GRAY	33482-1207	B									6									OK TO TOOL	OK TO TOOL
KEY A, BLACK	33482-1206	A									6									OK TO TOOL	OK TO TOOL
VOID KEY	33482-1205																				
KEY D, GREEN	33482-1204			D														NOT RECOMMENDED	SEE P/N 33482-1262	OK TO TOOL	OK TO TOOL
KEY C, BROWN	33482-1203			C														NOT RECOMMENDED	SEE P/N 33482-1261	OK TO TOOL	OK TO TOOL
KEY B, LIGHT GRAY	33482-1202	B																		OK TO TOOL	OK TO TOOL
KEY A, BLACK	33482-1201	A																		OK TO TOOL	OK TO TOOL

1 2 3 4 5 6 7 8 9 10 11 12
 BLOCKED TERMINAL
 CAVITY WITH A NUMBER INDICATES BLOCKED TERMINAL POSITION
 CAVITY WITHOUT A NUMBER INDICATES OPEN TERMINAL POSITION
 STATUS COMMENTS 34950-1210 BKS WITH RIBS 34950-1220 BKS WITHOUT RIBS
 OPTIONAL ATTACHMENTS SOLD SEPARATELY

STANDARD PLR	NATURAL	SPS/NYLON GF20
MAT SEAL	BURNT ORANGE	INHERENTLY LUBRICATED SILICONE
GROMMET CAP	BLACK	SPS/NYLON GF20
HOUSING KEYING OPTION D	STONE GRAY	SPS/NYLON GF20
HOUSING KEYING OPTION C	DARK GRAY	SPS/NYLON GF20
HOUSING KEYING OPTION D	GREEN	SPS/NYLON GF20
HOUSING KEYING OPTION C	BROWN	SPS/NYLON GF20
HOUSING KEYING OPTION B	LIGHT GRAY	SPS/NYLON GF20
HOUSING KEYING OPTION A	BLACK	SPS/NYLON GF20
DESCRIPTION	COLOR	MATERIAL

BOM/APPLICABLE COMPONENTS TABLE

ABREVIATION	COMPONENT
A	HOUSING KEY A
B	HOUSING KEY B
C	HOUSING KEY C
D	HOUSING KEY D
GC	GROMMET CAP
M	MAT SEAL
P	PLR, STANDARD
BKS	BACKSHELL

ENTER DESCRIPTION IEC NO. UAU2013-1432 DRAWN BY APPROFIT 2013/03/11 CHECKED BY CHYKHOLOK 2013/03/13 APPR. VIOSHY 2013/03/15 REV DESCRIPTION	QUALITY SYMBOLS	GENERAL TOLERANCES (UNLESS SPECIFIED)	DIMENSION STYLE	SCALE	DESIGN UNITS	THIRD ANGLE PROJECTION
	▽=0	4 PLACES ± 0.10	MM ONLY	DRAWN BY DATE	METRIC	MX150 2X6 BLADE SEALED ASSEMBLY MAT SEAL
	▽=0	3 PLACES ± 0.10		CHECKED BY DATE		
	▽=0	2 PLACES ± 0.10		APPROVED BY DATE		
		ANGULAR ± 3°		DGRIFFI THS 05-16-03		
		DRAFT WHERE APPLICABLE MUST REMAIN WITHIN DIMENSIONS		DGRIFFI THS 05-16-03		
				MATERIAL NO. SEE BOM	DOCUMENT NO. SD-33482-121	SHEET NO. 8 OF 10
				THIS DRAWING CONTAINS INFORMATION THAT IS PROPRIETARY TO MOLEX INCORPORATED AND SHOULD NOT BE USED WITHOUT WRITTEN PERMISSION		

ASSEMBLY DESCRIPTION	ASSEMBLY PART NUMBER	A	B	C	D	1	2	3	4	5	6	7	8	9	10	11	12	STATUS	COMMENTS	34950-1210 BKS WITH RIBS	34950-1220 BKS WITHOUT RIBS		
KEY A, BLACK	33482-1280	A				1	2	3	4	5	6			9					OK TO TOOL	OK TO TOOL			
KEY A, BLACK	33482-1279	A				1	2	3	4	5	6	7	8	9	10	11			OK TO TOOL	OK TO TOOL			
KEY A, BLACK	33482-1278	A									6					12			OK TO TOOL	OK TO TOOL			
KEY A, BLACK	33482-1277	A				1	2	3								11	12		OK TO TOOL	OK TO TOOL			
KEY A, BLACK	33482-1276	A				1	2	3	4		6		8		10	11	12		OK TO TOOL	OK TO TOOL			
KEY A, BLACK	33482-1275	A							4				8		10				OK TO TOOL	OK TO TOOL			
KEY A, BLACK	33482-1274	A				1		3	4	5	6		8		10	11	12		OK TO TOOL	OK TO TOOL			
KEY A, BLACK	33482-1273	A											8						OK TO TOOL	OK TO TOOL			
KEY A, BLACK	33482-1272	A					2					7	8	9	10				OK TO TOOL	OK TO TOOL			
KEY A, BLACK	33482-1271	A					2					7	8	9					OK TO TOOL	OK TO TOOL			
KEY A, BLACK	33482-1270	A					2		4			7	8	9	10				OK TO TOOL	OK TO TOOL			
KEY A, BLACK	33482-1269	A				1	2	3	4	5			8	9	10	11	12		OK TO TOOL	OK TO TOOL			
KEY A, BLACK	33482-1268	A						3	4	5	6	7	8	9	10	11			OK TO TOOL	OK TO TOOL			
KEY A, BLACK	33482-1267	A						3	4	5	6	7							OK TO TOOL	OK TO TOOL			
KEY A, BLACK	33482-1266	A				1	2	3	4	5	6	7					12		OK TO TOOL	OK TO TOOL			
KEY A, BLACK	33482-1265	A									6	7	8	9	10	11			OK TO TOOL	OK TO TOOL			
KEY D, STONE GRAY	33482-1264				D	1	2	3	4	5	6	7	8	9	10	11	12		OK TO TOOL	OK TO TOOL			
KEY C, DARK GRAY	33482-1263				C	1	2	3	4	5	6	7	8	9	10	11	12		TOOLED BUT NOT VALIDATED	OK TO TOOL	OK TO TOOL		
KEY D, STONE GRAY	33482-1262				D														OK TO TOOL	OK TO TOOL			
KEY C, DARK GRAY	33482-1261				C														TOOLED BUT NOT VALIDATED	OK TO TOOL	OK TO TOOL		
KEY A, BLACK	33482-1260	A														11	12		OK TO TOOL	OK TO TOOL			
KEY A, BLACK	33482-1259	A				1	2	3	4	5				9	10	11	12		OK TO TOOL	OK TO TOOL			
KEY A, BLACK	33482-1258	A					2	3								11			OK TO TOOL	OK TO TOOL			
KEY A, BLACK	33482-1257	A												9	10		12		OK TO TOOL	OK TO TOOL			
KEY A, BLACK	33482-1256	A				1					6	7		9					OK TO TOOL	OK TO TOOL			
KEY A, BLACK	33482-1255	A					2	3	4	5	6	7				10	11	12	OK TO TOOL	OK TO TOOL			
KEY A, BLACK	33482-1254	A					2	3	4	5						10	11	12	OK TO TOOL	OK TO TOOL			
KEY A, BLACK	33482-1253	A					2	3	4	5	6	7	8		10	11	12		OK TO TOOL	OK TO TOOL			
KEY A, BLACK	33482-1252	A										7							OK TO TOOL	OK TO TOOL			
KEY A, BLACK	33482-1251	A					2		4	5			8		10	11			OK TO TOOL	OK TO TOOL			
KEY A, BLACK	33482-1250	A						4	5	6	7	8	9						OK TO TOOL	OK TO TOOL			
KEY A, BLACK	33482-1249	A													10	11	12		OK TO TOOL	OK TO TOOL			
KEY A, BLACK	33482-1248	A				1		3	4	5	6	7	8						OK TO TOOL	OK TO TOOL			
KEY A, BLACK	33482-1247	A					2	3	4			7	8						OK TO TOOL	OK TO TOOL			
KEY A, BLACK	33482-1246	A														11			OK TO TOOL	OK TO TOOL			
KEY A, BLACK	33482-1245	A												9	10	11	12		OK TO TOOL	OK TO TOOL			
KEY A, BLACK	33482-1244	A					2		4										OK TO TOOL	OK TO TOOL			
KEY A, BLACK	33482-1243	A					2							9	10				OK TO TOOL	OK TO TOOL			
KEY A, BLACK	33482-1242	A										7	8						OK TO TOOL	OK TO TOOL			
KEY A, BLACK	33482-1241	A										7	8	9	10	11			OK TO TOOL	OK TO TOOL			

BLOCKED TERMINAL		
CAVITY WITH A NUMBER INDICATES BLOCKED TERMINAL POSITION		
CAVITY WITHOUT A NUMBER INDICATES OPEN TERMINAL POSITION		
STANDARD PLR	NATURAL	SPS/NYLON GF20
MAT SEAL	BURNT ORANGE	INHERENTLY LUBRICATED SILICONE
GROMMET CAP	BLACK	SPS/NYLON GF20
HOUSING KEYING OPTION D	STONE GRAY	SPS/NYLON GF20
HOUSING KEYING OPTION C	DARK GRAY	SPS/NYLON GF20
HOUSING KEYING OPTION D	GREEN	SPS/NYLON GF20
HOUSING KEYING OPTION C	BROWN	SPS/NYLON GF20
HOUSING KEYING OPTION B	LIGHT GRAY	SPS/NYLON GF20
HOUSING KEYING OPTION A	BLACK	SPS/NYLON GF20
DESCRIPTION	COLOR	MATERIAL

BOM/APPLICABLE COMPONENTS TABLE

ABBREVIATION	COMPONENT
A	HOUSING KEY A
B	HOUSING KEY B
C	HOUSING KEY C
D	HOUSING KEY D
GC	GROMMET CAP
M	MAT SEAL
P	PLR, STANDARD
BKS	BACKSHELL

ENTER DESCRIPTION IEC NO. UAU2013-1432 DRAWN BY: 2013/03/11 CHECKED BY: 2013/03/13 APPR: VIOSHY 2013/03/15 REV DESCRIPTION	QUALITY SYMBOLS ∇=0 ∇=0 ∇=0	GENERAL TOLERANCES (UNLESS SPECIFIED) mm INCH 4 PLACES ±0.10 ±0.004 3 PLACES ±0.15 ±0.005 2 PLACES ±0.20 ±0.008 1 PLACE ±0.30 ±0.012 0 PLACE ±0.50 ±0.020	DIMENSION STYLE MM ONLY	SCALE DESIGN UNITS METRIC	THIRD ANGLE PROJECTION
	DRAFT WHERE APPLICABLE MUST REMAIN WITHIN DIMENSIONS		DRAWN BY DATE DGR1FF1THS 05-16-03	CHECKED BY DATE DGR1FF1THS 05-16-03	APPROVED BY DATE DGR1FF1THS 05-16-03
	MATERIAL NO. SEE BOM		DOCUMENT NO. SD-33482-121		SHEET NO. 9 OF 10
	THIS DRAWING CONTAINS INFORMATION THAT IS PROPRIETARY TO MOLEX INCORPORATED AND SHOULD NOT BE USED WITHOUT WRITTEN PERMISSION				

