

THIS DRAWING IS UNPUBLISHED.

RELEASED FOR PUBLICATION

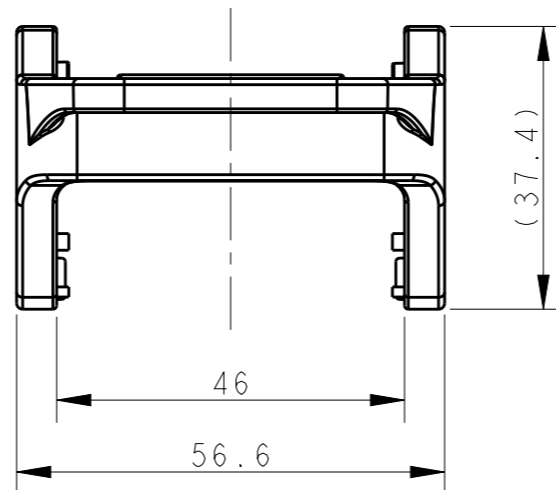
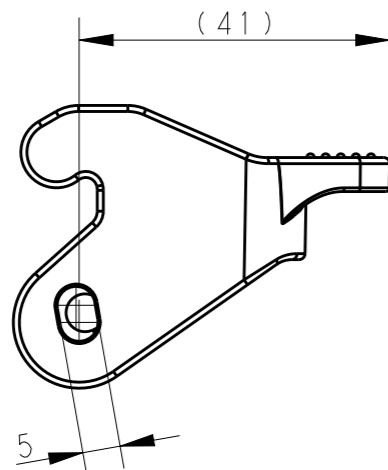
20

© COPYRIGHT 20 BY -

ALL RIGHTS RESERVED.

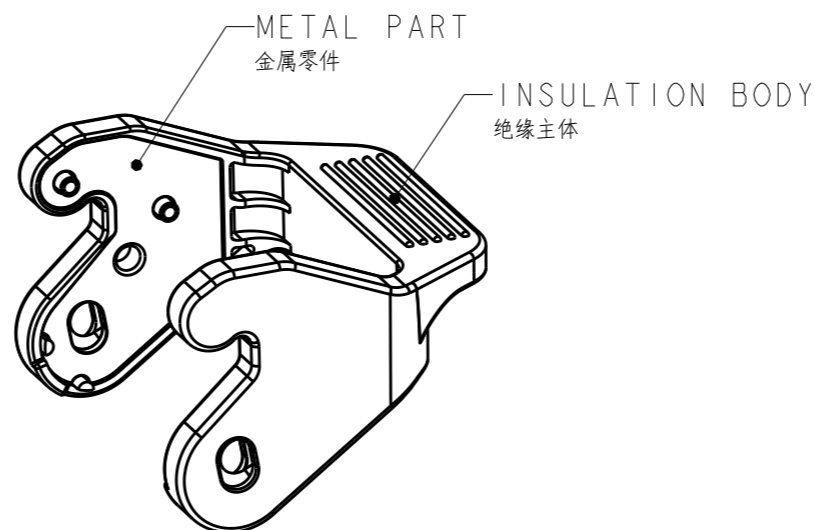
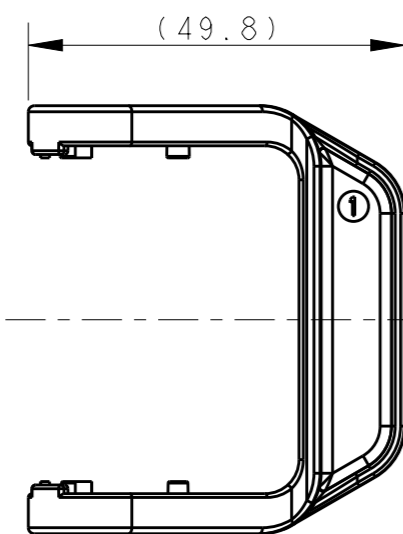
REVISIONS

P	LTR	DESCRIPTION	DATE	DWN	APVD
	A	INITIAL RELEASE	06APR2017	DW	CW




NOTES:  
 1. TECHNICAL CHARACTERISTICS:  
 INSULATION BODY MATERIAL: PA  
 METAL PART MATERIAL: STAINLESS STEEL  
 SIZE: H10B/H16B/H24B

注释:  
 1. 技术参数:  
 绝缘主体材料: 尼龙  
 金属零件材料: 不锈钢  
 尺寸: H10B/H16B/H24B



T0923004002-001	HB DOUBLE PLASTIC LOCKING HB塑料双扣
PART NUMBER 料号	PART DESCRIPTION 描述

THIS DRAWING IS A CONTROLLED DOCUMENT.		DWN 04NOV2016 DAVID WANG	 TE Connectivity	
DIMENSIONS: mm		CHK 04NOV2016 CHRIS WANG		
TOLERANCES UNLESS OTHERWISE SPECIFIED:		APVD 04NOV2016 XIANG XU	NAME HB DOUBLE PLASTIC LOCKING	
0 PLC ±- 1 PLC ±- 2 PLC ±- 3 PLC ±- 4 PLC ±- ANGLES ±-		PRODUCT SPEC -	SIZE CAGE CODE DRAWING NO RESTRICTED TO	
MATERIAL		APPLICATION SPEC -	A300779 C-T0923004002001	
FINISH		WEIGHT -	SCALE 1:1 SHEET 1 OF 1 REV A	
		CUSTOMER DRAWING		