

FEB137-002 / FEB138-002
User Guide
FAN2001 / FAN2002
Evaluation Board

Featured Fairchild Product: FAN2001 / FAN2002

www.fairchildsemi.com/FEBsupport

Table of Contents

1. Features	3
2. Description	3
3. Operation	3
4. PCB Layout	4
5. Waveforms	4
6. Schematics	5
7. Materials Lists	6

The following user guide supports the evaluation kit for the FAN2001 and FAN2002. It should be used in conjunction with the device datasheet as well as Fairchild application notes and technical support team. Visit Fairchild's website at www.fairchildsemi.com.

1. Features

- 2.5 to 5.5V Input Range
- Up to 1A Output Current
- Adjustable Output from 0.8V to V_{IN}
- Thermal Shutdown, Short-Circuit Protection, Soft Start, Output Over-Voltage Protection
- 1.3MHz Fixed-Frequency PWM Operation at Heavy Load and Burst Operation at Light Load
- Up to 96% Efficiency, Synchronous Operation
- Pb-Free, 6-lead 3x3mm MLP Package

2. Description

The FAN2001/2 Evaluation Board is a compact circuit including either the FAN2001 MPX or the FAN2002 MPX in a 3x3mm MLP package. Both models feature an external resistor divider for varying output voltage and differ only in pin out. The FAN2001/2 demo board, a completely assembled and tested surface mount board, provides easy probe access points to all inputs and outputs so that electrical characteristics and waveforms can be easily measured.

3. Operation

1. Connect V_{IN} (2.5 to 5.5V) and GND (0V).
2. Use a jumper to toggle the circuit between "ON" and "OFF" modes.
3. Observe that, for varying input levels, if $V_{IN} > V_{OUT} + 0.6V$ and $I_{LOAD} < 1A$, V_{OUT} remains constant.
4. The output voltage level is $V_{OUT} = V_{REF} (1 + (R1/R2))$ where $V_{REF} = 0.8V$ (typical) and $R2 = 10K$. For $V_{OUT} = 1.2V$, $R1$ is preset to 5K and for $V_{OUT} = 3.3V$, $R1$ is preset to 31.25K.
Note: $R2$ and $R1$ values are reversed for FAN2002MPX.
5. To verify supply current in "ON" and "OFF" modes; observe that, in shutdown mode, supply current drops below $1\mu A$ and in "ON" mode, $I_Q < 50\mu A$.
6. If quiescent current is a key design parameter, a higher value feedback resistor $R2$ can be used, along with a small bypass capacitor C_F (e.g. $R2 = 100K$ and $C_F = 10pF$).

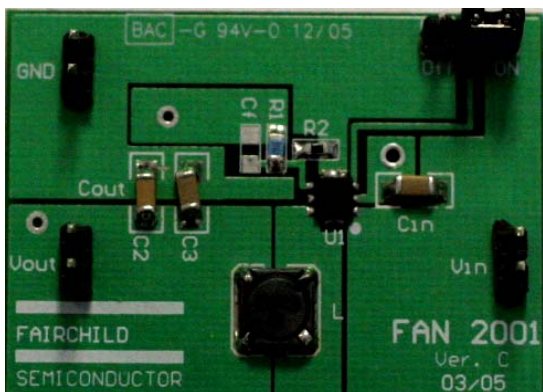


Figure 1. FAN2001MPX Board

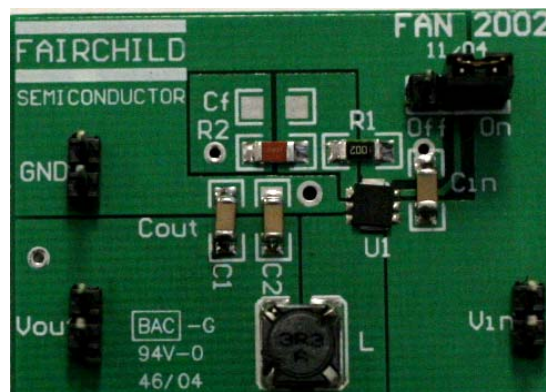


Figure 2. FAN2002MPX Board

4. PCB Layout

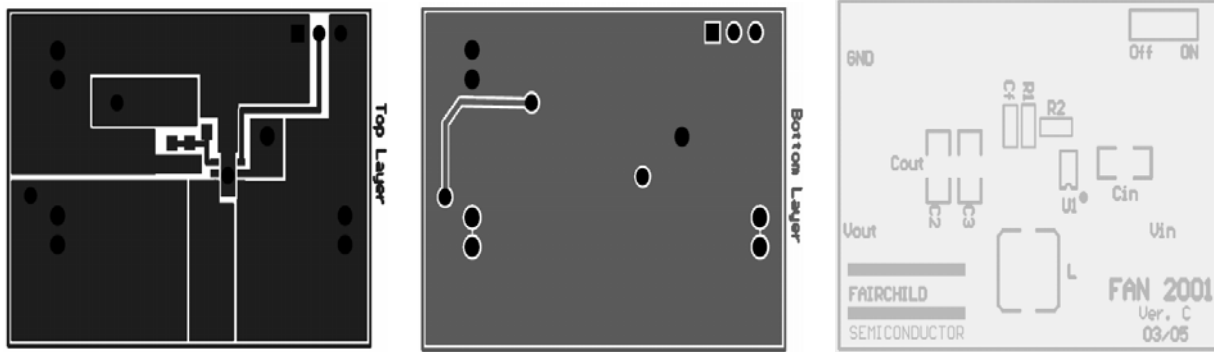


Figure 3. FAN2001MPX PCB Layout

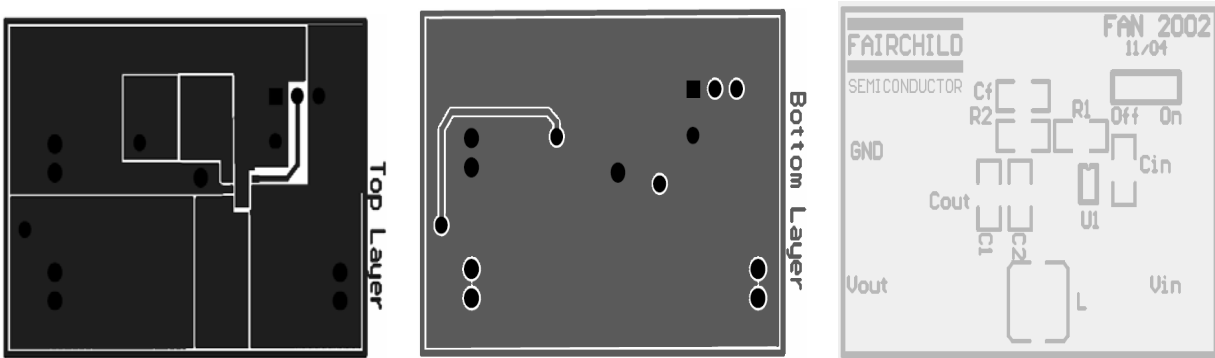


Figure 4. FAN2002MPX PCB Layout

5. Waveforms

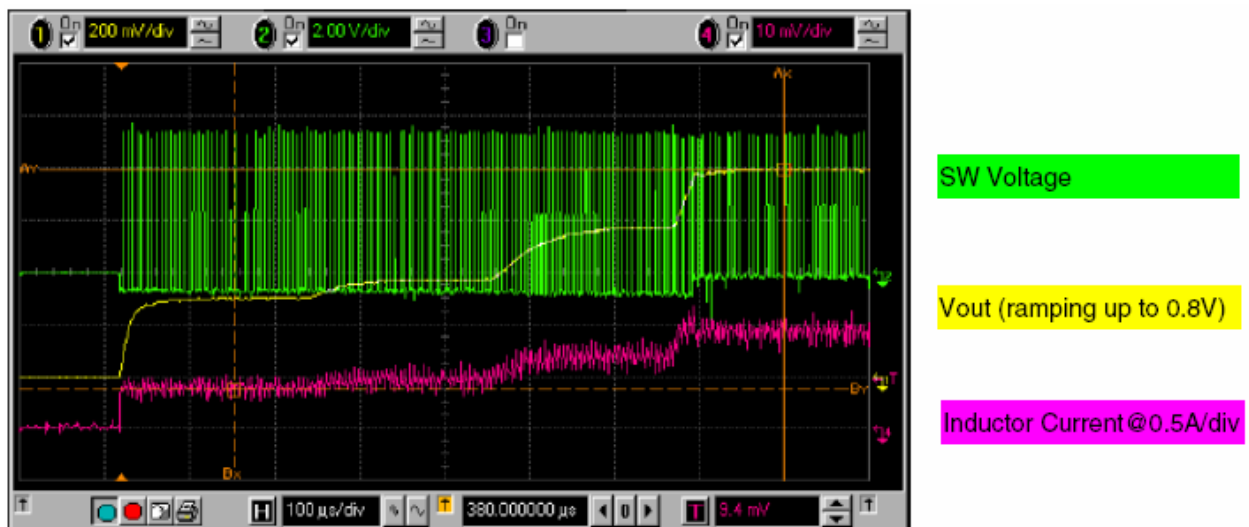


Figure 5. Start-Up Waveform in Full Load ($V_{IN}=5.5V$)

6. Schematics

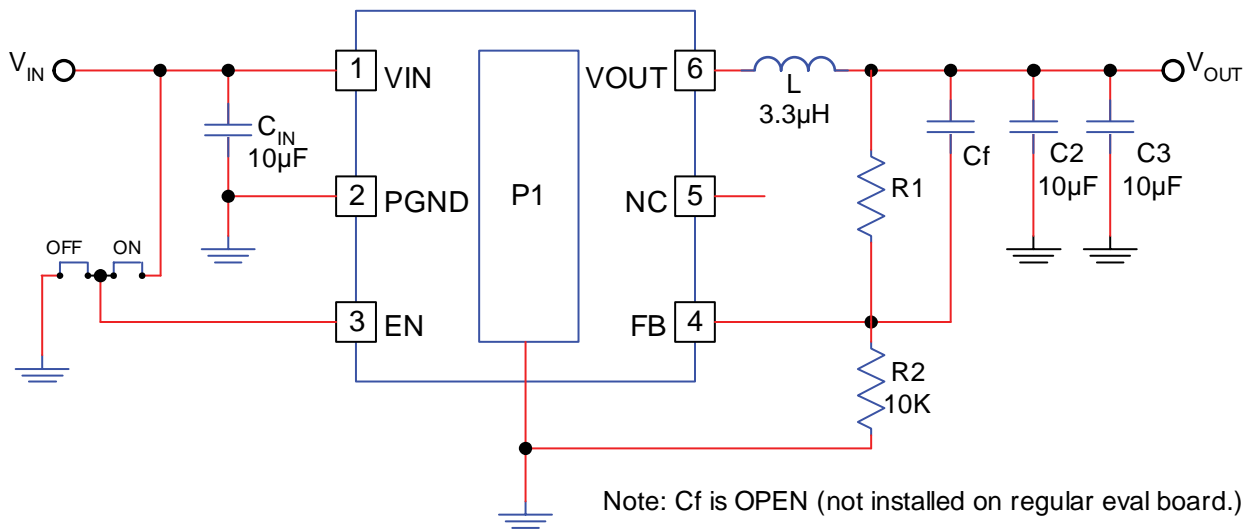


Figure 6. FAN2001MPX Schematic (R1 = 5K for $V_{OUT} = 1.2V$ and R1 = 31.25K for $V_{OUT} = 3.3V$)

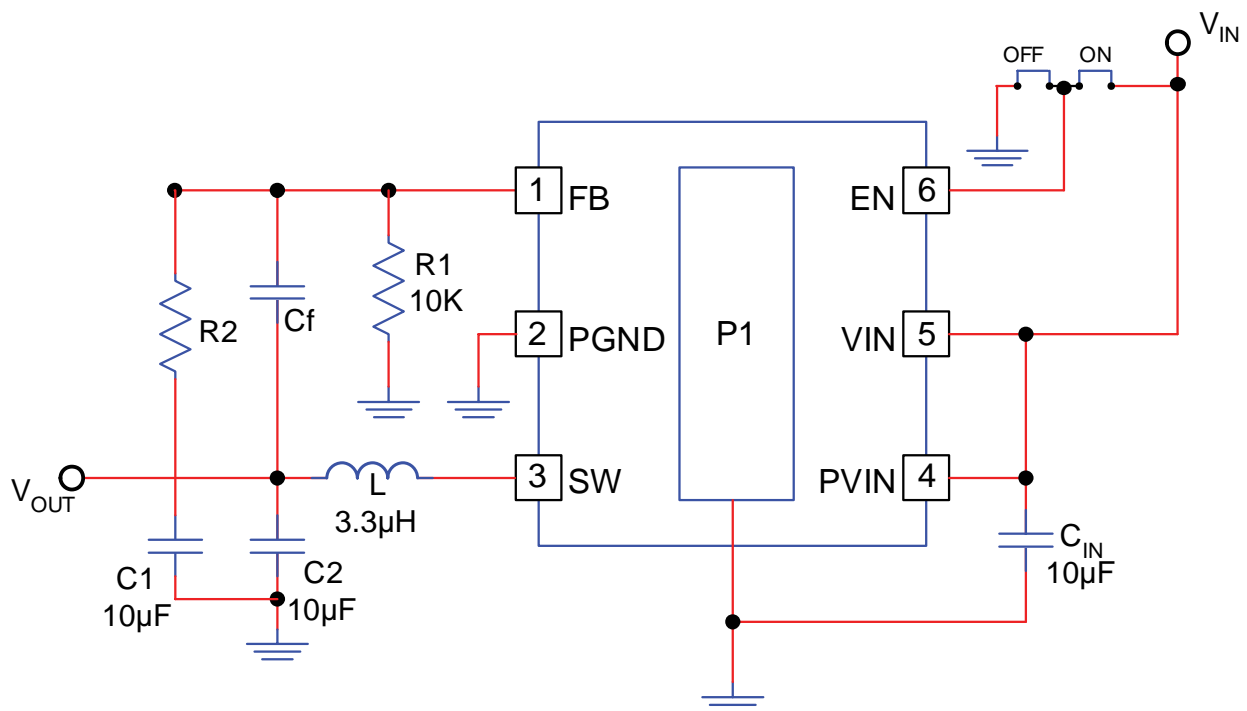


Figure 7. FAN2002MPX Schematic (R1 = 5K for $V_{OUT} = 1.2V$ and R1 = 31.25K for $V_{OUT} = 3.3V$)

7. Materials Lists

Table 1. FAN2001MPX List of Materials

Description	Qty.	Ref.	Vendor	Part Number
Inductor 3.3μH, $I_{sat} = 0.5A$	1	L	Any	
Capacitor 10μF, 10%, 6.3V, X5R, 1206	3	C2, C3, C _{IN}	MURATA	GRM31CR70J106K
			Panasonic	ECJ-3YB0J106K
Resistor 10Kohm, 1%, 1206	1	R2	Any	
Resistor 31.25Kohm, 1%, 0805 (for option V _{OUT} set 3.3V)	1	R1	Any	
Resistor 4.99Kohm, 1%, 0805 (for option V _{OUT} set 1.2V)	1	R1	Any	
Hardware Connector Header . 1 SINGLE STR 36POS	9	V _{IN} , V _{OUT} , GND, ON/OFF	Digi-Key	S1011-36-ND
IC DC/DC Regulator, 6-lead MLP 3x3mm, FSID: FAN2001MPX	1	U1	Fairchild Semiconductor	FAN2001MPX
Hardware, SHUNT, PHBR 15AU	1	ON/OFF	DIGI-KEY	A26227-ND

Table 2. FAN2002 MPX List of Materials

Description	Qty.	Ref.	Vendor	Part Number
Inductor 3.3μH, $I_{sat} = 0.5A$	1	L	Any	
Capacitor 10μF, 10%, 6.3V, X5R, 1206	3	C1, C2, C _{IN}	MURATA	GRM31CR70J106K
			Panasonic	ECJ-3YB0J106K
Resistor 10Kohm, 1%, 1206	1	R1	Any	
Resistor 31.25Kohm, 1%, 1206 (for option V _{OUT} set 3.3V)	1	R2	Any	
Resistor 4.99Kohm, 1%, 1206 (for option V _{OUT} set 1.2V)	1	R2	Any	
Hardware Connector Header .1 SINGLE STR 36POS	9	V _{IN} , V _{OUT} , GND, ON/OFF	Digi-Key	S1011-36-ND
IC DC/DC Regulator, 6-lead MLP 3x3mm, FSID: FAN2002MPX	1	U1	Fairchild Semiconductor	FAN2002MPX
Hardware, SHUNT, PHBR 15AU	1	ON/OFF	DIGI-KEY	A26227-ND

Table 3. Ordering Information

Product Number	Package Type	Order Code
FAN2001	Pb-Free, 6-Lead 3x3mm Molded Leadless Package (MLP)	FAN2001MPX
FAN2002	Pb-Free, 6-Lead 3x3mm Molded Leadless Package (MLP)	FAN2002MPX

TRADEMARKS

The following are registered and unregistered trademarks Fairchild Semiconductor owns or is authorized to use and is not intended to be an exhaustive list of all such trademarks.

ACEx®	FRFET®	POP™	SuperSOT™-6
Across the board.	GlobalOptoisolator™	Power220®	SuperSOT™-8
Around the world.™	GTO™	Power247®	SyncFET™
ActiveArray™	HiSeC™	PowerEdge™	TCM™
Bottomless™	<i>i-Lo</i> ™	PowerSaver™	The Power Franchise®
Build it Now™	ImpliedDisconnect™	Power-SPM™	Ⓢ™
CoolFET™	IntelliMAX™	PowerTrench®	TinyBoost™
CorePLUS™	ISOPLANAR™	Programmable Active Droop™	TinyBuck™
CROSSVOLT™	MICROCOUPLER™	QFET®	TinyLogic®
CTL™	MicroPak™	QS™	TINYOPTO™
Current Transfer Logic™	MICROWIRE™	QT Optoelectronics™	TinyPower™
DOME™	Motion-SPM™	Quiet Series™	TinyWire™
E ² CMOS™	MSX™	RapidConfigure™	TruTranslation™
EcoSPARK®	MSXPro™	RapidConnect™	μSerDes™
EnSigna™	OCX™	ScalarPump™	UHC®
FACT Quiet Series™	OCXPro™	SMART START™	UniFET™
FACT®	OPTOLOGIC®	SPM®	VCX™
FAST®	OPTOPLANAR®	STEALTH™	Wire™
FASTr™	PACMAN™	SuperFET™	
FPS™	PDP-SPM™	SuperSOT™-3	

WARNING AND DISCLAIMER

Replace components on the Evaluation Board only with those parts shown on the parts list (or Bill of Materials) in the Users' Guide. Contact an authorized Fairchild representative with any questions.

The Evaluation board (or kit) is for demonstration purposes only and neither the Board nor this User's Guide constitute a sales contract or create any kind of warranty, whether express or implied, as to the applications or products involved. Fairchild warrants that its products meet Fairchild's published specifications, but does not guarantee that its products work in any specific application. Fairchild reserves the right to make changes without notice to any products described herein to improve reliability, function, or design. Either the applicable sales contract signed by Fairchild and Buyer or, if no contract exists, Fairchild's standard Terms and Conditions on the back of Fairchild invoices, govern the terms of sale of the products described herein.

DISCLAIMER

FAIRCHILD SEMICONDUCTOR RESERVES THE RIGHT TO MAKE CHANGES WITHOUT FURTHER NOTICE TO ANY PRODUCTS HEREIN TO IMPROVE RELIABILITY, FUNCTION, OR DESIGN. FAIRCHILD DOES NOT ASSUME ANY LIABILITY ARISING OUT OF THE APPLICATION OR USE OF ANY PRODUCT OR CIRCUIT DESCRIBED HEREIN; NEITHER DOES IT CONVEY ANY LICENSE UNDER ITS PATENT RIGHTS, NOR THE RIGHTS OF OTHERS.

LIFE SUPPORT POLICY

FAIRCHILD'S PRODUCTS ARE NOT AUTHORIZED FOR USE AS CRITICAL COMPONENTS IN LIFE SUPPORT DEVICES OR SYSTEMS WITHOUT THE EXPRESS WRITTEN APPROVAL OF THE PRESIDENT OF FAIRCHILD SEMICONDUCTOR CORPORATION.

As used herein:

1. Life support devices or systems are devices or systems which, (a) are intended for surgical implant into the body, or (b) support or sustain life, or (c) whose failure to perform when properly used in accordance with instructions for use provided in the labeling, can be reasonably expected to result in significant injury to the user.
2. A critical component is any component of a life support device or system whose failure to perform can be reasonably expected to cause the failure of the life support device or system, or to affect its safety or effectiveness.