

NOTES:

1. MATERIALS:

HOUSING: HIGH TEMPERATURE PLASTIC, UL 94V-0, COLOR: BLACK  
 TERMINAL: COPPER ALLOY  
 SHIELD: STEEL ALLOY

2. FINISH:

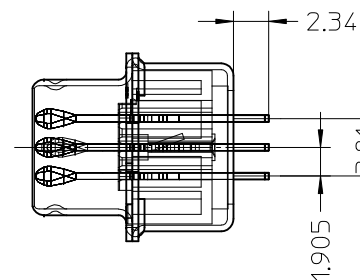
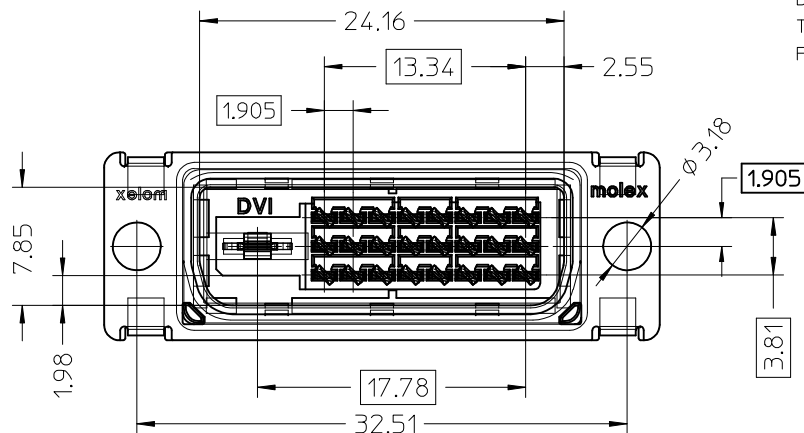
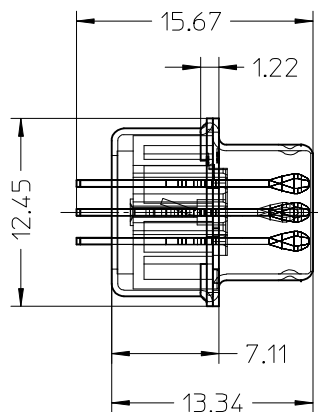
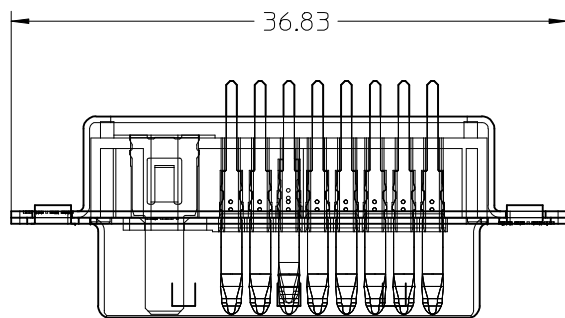
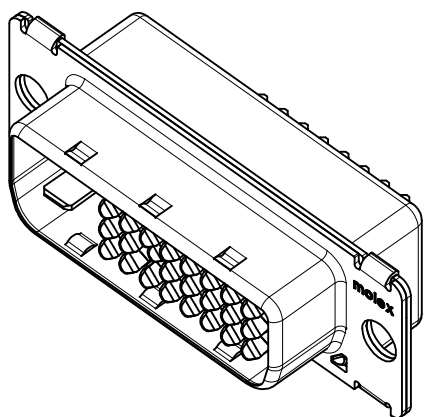
TERMINAL: GOLD PLATING OVER 1.27 MICROMETER(50u") NICKEL IN CONTACT AREA,  
 3.81 MICROMETER (150u") PURE TIN OVER 1.27 MICROMETER (50u") NICKEL AT SOLDERING AREA.  
 BACK SHIELD: 3.81 MICROMETER (150u") BRIGHT TIN OVER 1.27 MICROMETER (50u") NICKEL OVER COPPER FLASH OVERALL.  
 FRONT SHIELD: 1.27 MICROMETER (50u") SOLDERING NICKEL OVER COPPER FLASH OVERALL.

3. PRODUCT SPECIFICATION: PS-74320-001.

4. PACKAGING: PARTS ARE TO BE PACKAGED 40 PCS PER TRAY.

5. THE LOADED CIRCUITS SEE THE CHART.

6. THE DIMENSION SHOWN ON SHEET 1 REFLECT THE DVI-D SINGLE AND DUAL CHANNEL ASSEMBLY.  
 THE DIMENSION SHOWN ON SHEET 2 REFLECT THE DVI-I ASSEMBLY.  
 FOR ALL OTHER DIMENSION REFER TO SHEET 1.



CHANGE FRONT SHELL FINISH

EC NO: SH2016-0197	2015/12/07
DRWN:XQZ/HANG	2015/12/07
CHKD:XQZ/HANG	2016/01/18
APPR:AYIN	

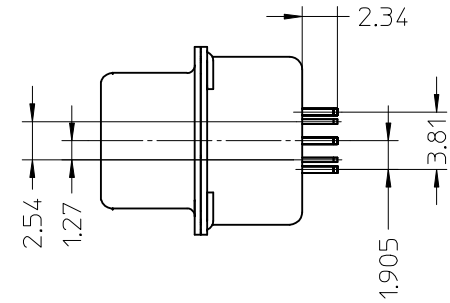
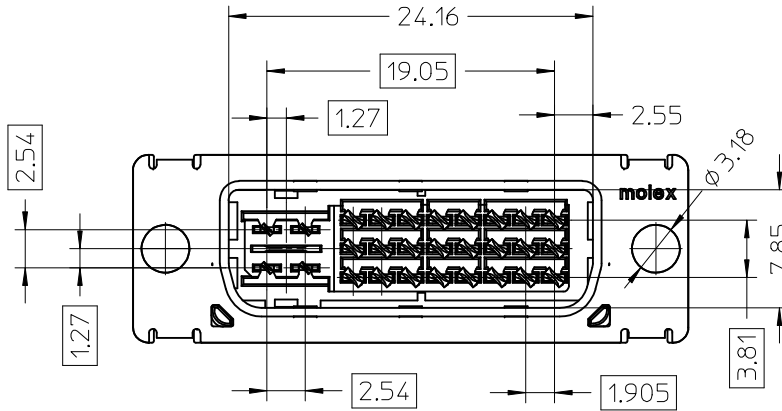
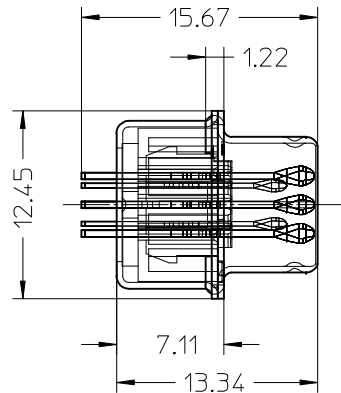
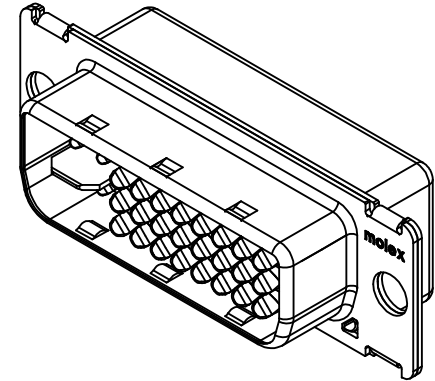
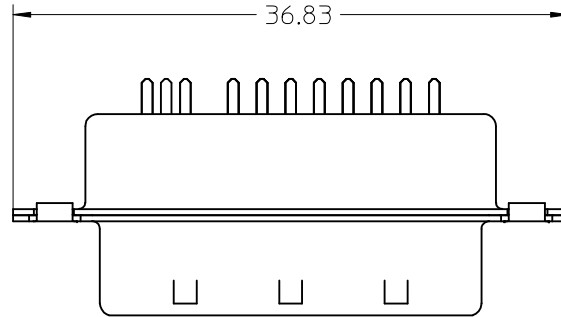
REV	DESCRIPTION
1	QUALITY SYMBOLS
2	$\nabla_A = 0$
3	$\nabla_C = 0$
4	$\nabla_F = 0$

GENERAL TOLERANCES (UNLESS SPECIFIED)	
	mm INCH
4 PLACES	± --- ± ---
3 PLACES	± --- ± ---
2 PLACES	± 0.25 ± ---
1 PLACE	± 0.25 ± ---
0 PLACE	± ±
ANGULAR ± .5 °	
DRAFT WHERE APPLICABLE MUST REMAIN WITHIN DIMENSIONS	

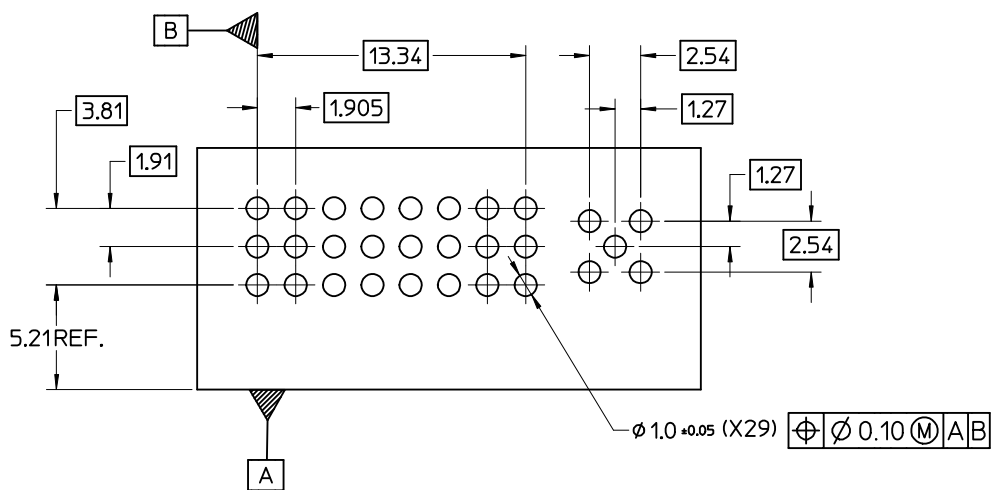
DIMENSION STYLE	
MM ONLY	
DRAWN BY	DATE
JCHIANG	00/05/12
CHECKED BY	DATE
MLIN	00/05/12
APPROVED BY	DATE
MLIN	00/05/12
MATERIAL NO.	
SEE SHEET 2	
SIZE	
A3	

SCALE	DESIGN UNITS	THIRD ANGLE PROJECTION
1:1	INCH	
TITLE		
HIGH VOLUME DVI PLUG CONNECTOR FOR PCB MOUNT		
<b>molex</b>		
MATERIAL NO.	DOCUMENT NO.	SHEET NO.
SEE SHEET 2	SD-74323-005	1 OF 3
THIS DRAWING CONTAINS INFORMATION THAT IS PROPRIETARY TO MOLEX INCORPORATED AND SHOULD NOT BE USED WITHOUT WRITTEN PERMISSION		

PART NO.	DESCRIPTION	LOAD CIRCUIT REF
74323-2101	DVI-D Au FLASH SINGLE CHANNEL	1-3,6-8,9-11,14-16,17-19,22-24 WITH KEY
74323-2103	DVI-D Au FLASH DUAL CHANNEL	1-24, WITH KEY
74323-2131	DVI-I Au FLASH SINGLE CHANNEL	1-3,6-8,9-11,14-16,17-19,22-24 C1-C5
74323-2133	DVI-I Au FLASH DUAL CHANNEL	1-24,C1-C5



SEE SHEET 1 EC NO: SH2016-0197 DRWN: XQZHANG 2015/12/07 CHKD: XQZHANG 2015/12/07 APPR: ATIN 2016/01/18	QUALITY SYMBOLS ▽ <sub>A</sub> =0 ▽ <sub>B</sub> =0 ▽ <sub>C</sub> =0	GENERAL TOLERANCES (UNLESS SPECIFIED)		DIMENSION STYLE MM ONLY		SCALE 1:1	DESIGN UNITS INCH	THIRD ANGLE PROJECTION	
			mm	INCH	DRAWN BY JCHIANG	DATE 00/05/12	TITLE HIGH VOLUME DVI PLUG CONNECTOR FOR PCB MOUNT		
		4 PLACES	± ---	± ---	CHECKED BY MLIN	DATE 00/05/12			
		3 PLACES	± ---	± ---	APPROVED BY MLIN	DATE 00/05/12			
	2 PLACES	± 0.25	± ---	MATERIAL NO.		DOCUMENT NO.		SHEET NO.	
	1 PLACE	± 0.25	± ---	SEE TABLE		SD-74323-005		2 OF 3	
	0 PLACE	±	±	SIZE A3		THIS DRAWING CONTAINS INFORMATION THAT IS PROPRIETARY TO MOLEX INCORPORATED AND SHOULD NOT BE USED WITHOUT WRITTEN PERMISSION			
ANGULAR ± .5 °		DRAFT WHERE APPLICABLE MUST REMAIN WITHIN DIMENSIONS							



RECOMMENDED PCB LAYOUT, PCB THICKNESS: 1.60 MM

SEE SHEET 1 EC NO: SH2016-0197 DRWN: XQZHANG 2015/12/07 CHKD: XQZHANG 2015/12/07 APPR: AYIN 2016/01/18	DESCRIPTION REV	QUALITY SYMBOLS	GENERAL TOLERANCES (UNLESS SPECIFIED)	DIMENSION STYLE	SCALE	DESIGN UNITS	THIRD ANGLE PROJECTION
		$F_A = 0$ $F_C = 0$ $F_P = 0$	(UNLESS SPECIFIED) mm INCH	MM ONLY	4:1	INCH	
		4 PLACES ± --- ± --- 3 PLACES ± --- ± --- 2 PLACES ± 0.25 ± --- 1 PLACE ± 0.25 ± --- 0 PLACE ± ±	DRAWN BY: JCHIANG CHECKED BY: MLIN APPROVED BY: MLIN DATE: 00/05/12	DATE: 00/05/12 DATE: 00/05/12 DATE: 00/05/12	TITLE HIGH VOLUME DVI PLUG CONNECTOR FOR PCB MOUNT		
		ANGULAR ± .5 ° DRAFT WHERE APPLICABLE MUST REMAIN WITHIN DIMENSIONS	MATERIAL NO. SEE SHEET 2	DOCUMENT NO. SD-74323-005	SHEET NO. 3 OF 3		

