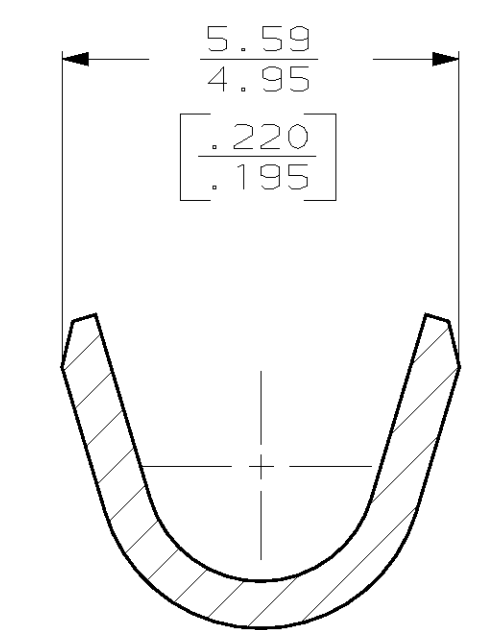
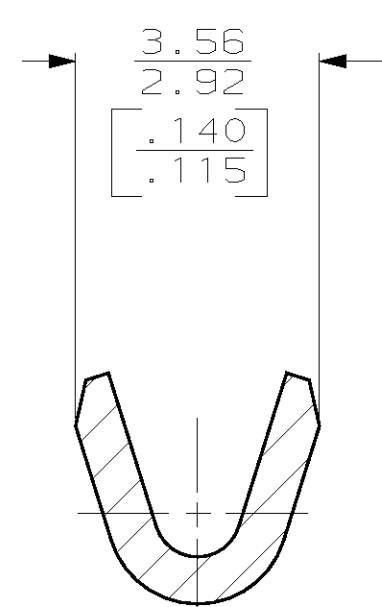
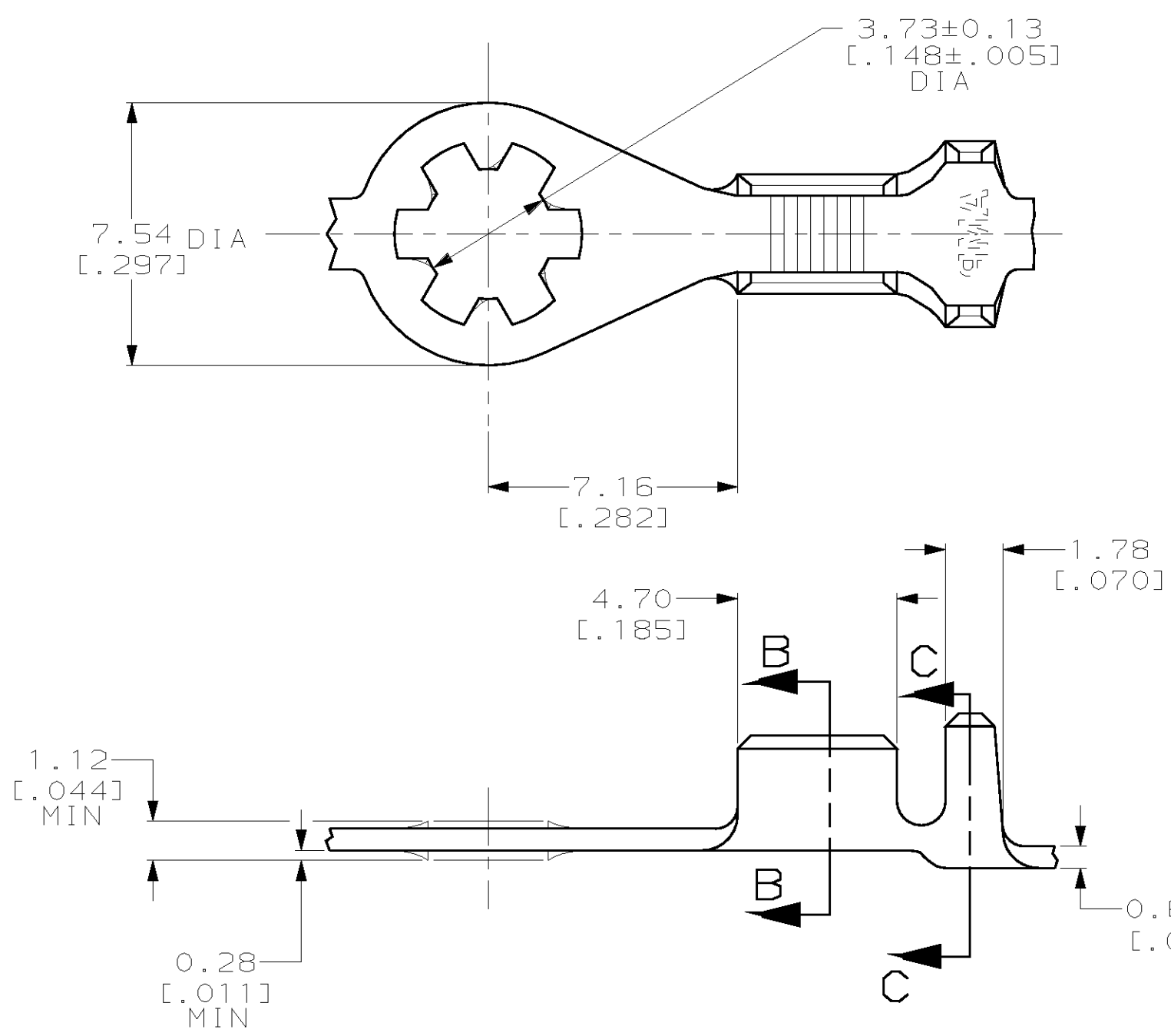


THIS DRAWING IS UNPUBLISHED. RELEASED FOR PUBLICATION ,19 .
 © COPYRIGHT 19 BY AMP INCORPORATED. ALL RIGHTS RESERVED.

LOC	DIST	REVISIONS					
		P	LTR	DESCRIPTION	DATE	DWN	APVD
AF	50		A	RELEASE PER 0L10-0006-98	22/JAN/98	PF	GY

1 CONTINUOUS STRIP ON REEL.



SECTION A-A
SCALE 10:1

SECTION B-B
SCALE 10:1

2.03-3.05 [.080-.120] DIA	22-18 AWG	1217018-1
INSULATION RANGE	WIRE RANGE	PART NUMBER

THIS DRAWING IS A CONTROLLED DOCUMENT.		DWN PHILLIP M FORTNEY 29/SEP/97	AMP Incorporated Harrisburg, PA 17105-3608													
DIMENSIONS: mm [INCHES]		CHK JEFF R RUTH 29/SEP/97	NAME AMP TERMINAL, RING													
TOLERANCES UNLESS OTHERWISE SPECIFIED:		APVD GARY YETTER 29/SEP/97														
<table border="1"> <tr><td>0 PLC</td><td>±-</td></tr> <tr><td>1 PLC</td><td>±-</td></tr> <tr><td>2 PLC</td><td>±0.25 [.010]</td></tr> <tr><td>3 PLC</td><td>±-</td></tr> <tr><td>4 PLC</td><td>±-</td></tr> <tr><td>ANGLES</td><td>±-</td></tr> </table>		0 PLC	±-	1 PLC	±-	2 PLC	±0.25 [.010]	3 PLC	±-	4 PLC	±-	ANGLES	±-	PRODUCT SPEC -	SIZE A3 00779	
0 PLC	±-															
1 PLC	±-															
2 PLC	±0.25 [.010]															
3 PLC	±-															
4 PLC	±-															
ANGLES	±-															
MATERIAL H04 BRASS		APPLICATION SPEC -	DRAWING NO C- 1217018													
FINISH 0.002032 [.000080] MIN TIN PLATE PER MIL-T-10727		WEIGHT -	RESTRICTED TO -													
CUSTOMER DRAWING			SCALE 6:1	SHEET 1 OF 1												
			REV A													