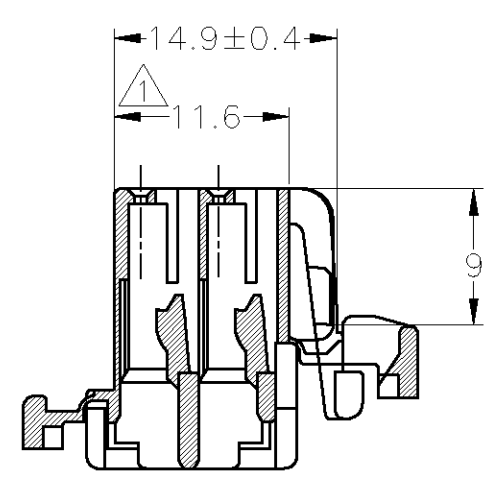
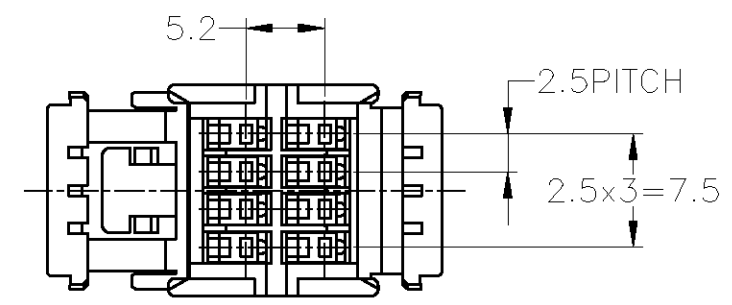
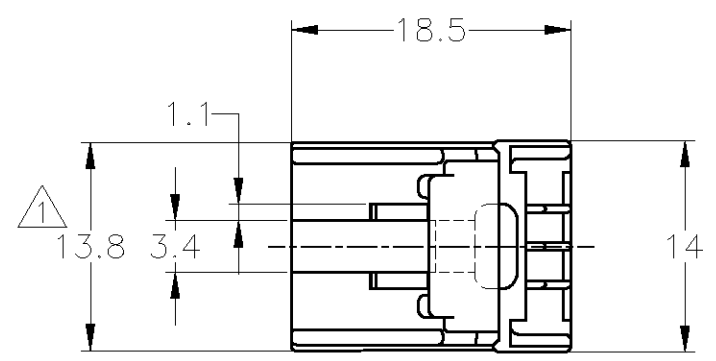
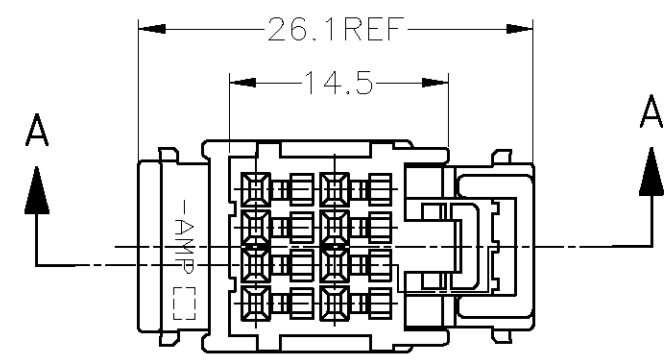
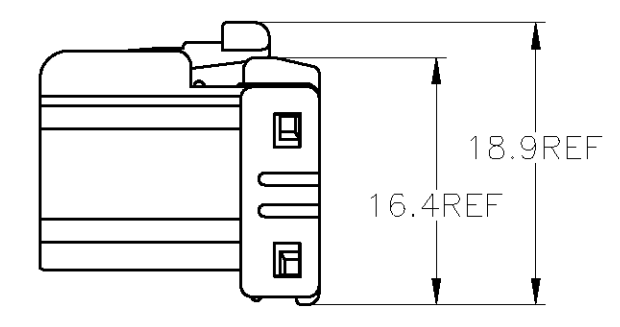
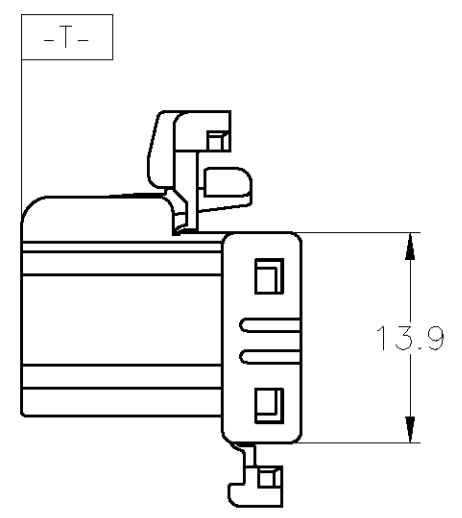


THIS DRAWING IS UNPUBLISHED. RELEASED FOR PUBLICATION
 © COPYRIGHT - By Tyco Electronics JAPAN G.K. ALL RIGHTS RESERVED.

LOC	DIST	REVISIONS					
		P	LTR	DESCRIPTION	DATE	DWN	APVD
J	-		D3	REDRAWN W/CHANGE	ECR-13-002015	11MAR2013	TS KB



A-A



- ① TO BE MEASURED WITHIN 2mm FROM [-T-]
- 2. APPLICABLE PRODUCT SPECIFICATION NUMBER: 108-5244
- 3. APPLICABLE INSTRUCTION SHEET NUMBER: 411-5883
- 4. APPLICABLE CONTACT PART NUMBER: 173681, 175180
- 5. THE MATING CAP HOUSING NUMBERS: 174971, 174049, 176121 AND 178455

- ① [-T-] 面より 2mm の範囲で測定
- 2. 適用製品規格番号: 108-5244
- 3. 適用取扱説明書番号: 411-5883
- 4. 適用端子型番: 173681, 175180
- 5. 嵌合相手ハウジング型番: 174971, 174049, 176121 AND 178455

TOLERANCE UNLESS OTHERWISE SPECIFIED: 一般公差	
0 < x ≤ 10	±0.2
10 < x ≤ 30	±0.25
30 < x ≤ 100	±0.3
ANGLE ; 角度	±3'

THIS DRAWING IS A CONTROLLED DOCUMENT.		DWN T.SHINOHARA 04FEB2013	STE TE Connectivity											
DIMENSIONS: mm		CHK K.BETSUI 04FEB2013												
TOLERANCES UNLESS OTHERWISE SPECIFIED:		APVD K.BETSUI 04FEB2013	NAME 040 SERIES MULTI-LOCK CONNECTOR 8 POSITION PLUG HOUSING											
<table border="1"> <tr><td>0 PLC</td><td>± -</td></tr> <tr><td>1 PLC</td><td>± -</td></tr> <tr><td>2 PLC</td><td>± -</td></tr> <tr><td>3 PLC</td><td>± -</td></tr> <tr><td>4 PLC</td><td>± -</td></tr> <tr><td>ANGLES</td><td>± -</td></tr> </table>		0 PLC			± -	1 PLC	± -	2 PLC	± -	3 PLC	± -	4 PLC	± -	ANGLES
0 PLC	± -													
1 PLC	± -													
2 PLC	± -													
3 PLC	± -													
4 PLC	± -													
ANGLES	± -													
MATERIAL PBT		FINISH -	SIZE A3	CAGE CODE 00779	DRAWING NO C-174044	RESTRICTED TO -								
CUSTOMER DRAWING			WEIGHT 2.3 g	SCALE 2:1	SHEET 1 OF 1	REV D3								