

4

3

2

1

THIS DRAWING IS UNPUBLISHED.

RELEASED FOR PUBLICATION

AUG ,2006.

© COPYRIGHT BY TYCO ELECTRONICS CORPORATION. ALL RIGHTS RESERVED.

LOC DW

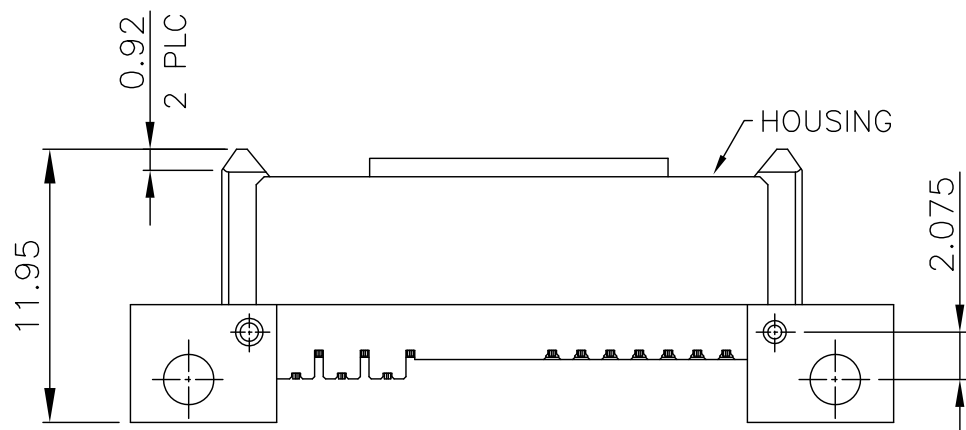
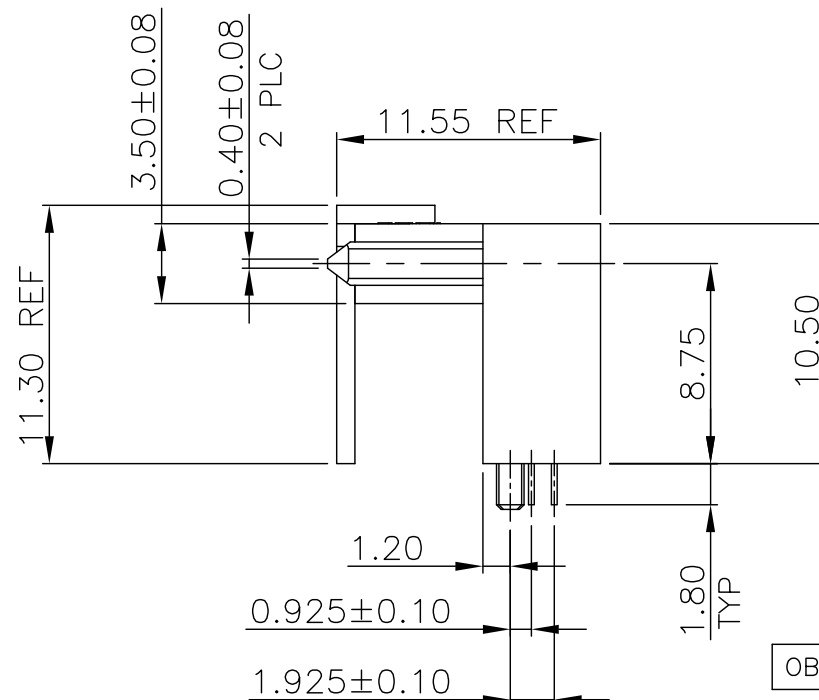
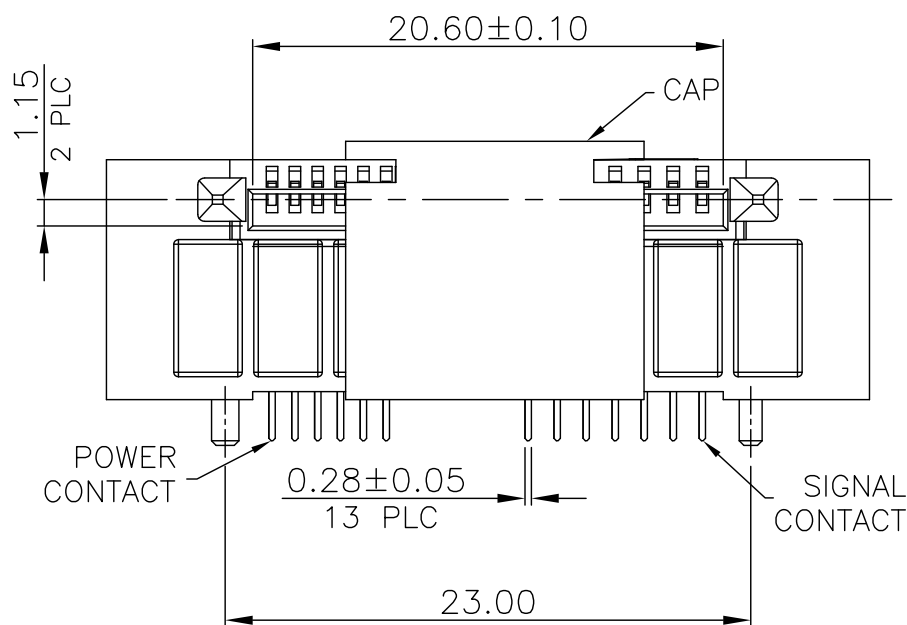
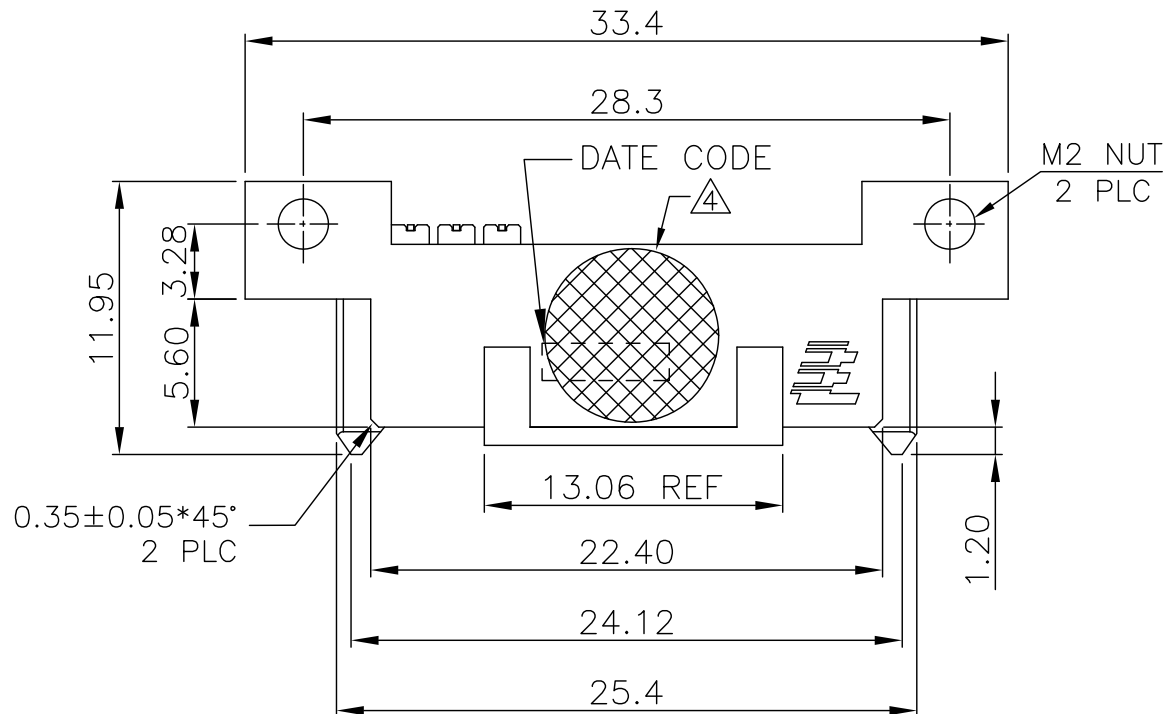
DIST

REVISIONS

P	LTR	DESCRIPTION	DATE	DWN	APVD
E		REVISED (ECR-13-011759)	06NOV2013	BW	WK

NOTES:

- MATERIAL:  
HOUSING: HIGH TEMP THERMOPLASTIC(LCP), UL94V-0, BLACK COLOR.  
CONTACT: PHOSPHOR BRONZE.  
CAP: HIGH TEMP THERMOPLASTIC(LCP), UL94V-0, BLACK COLOR.  
NUT: STAINLESS STEEL.
  - FINISH:  
GOLD PLATED ON CONTACT AREA: (SEE TABLE)  
2.54um[100u"] MIN. MATTE TIN PLATING ON SOLDERTAIL.  
1.27um[50u"] MIN. NICKEL ENTIRE CONTACT UNDERPLATED.
  - REFLOW SOLDER CAPABLE TO 260°C PER TEST SPEC. 109-201, CONDITION B.
- ④ PICK & PLACE VACUUM AREA.  
⑤ NO CUMULATIVE TOLERANCE.

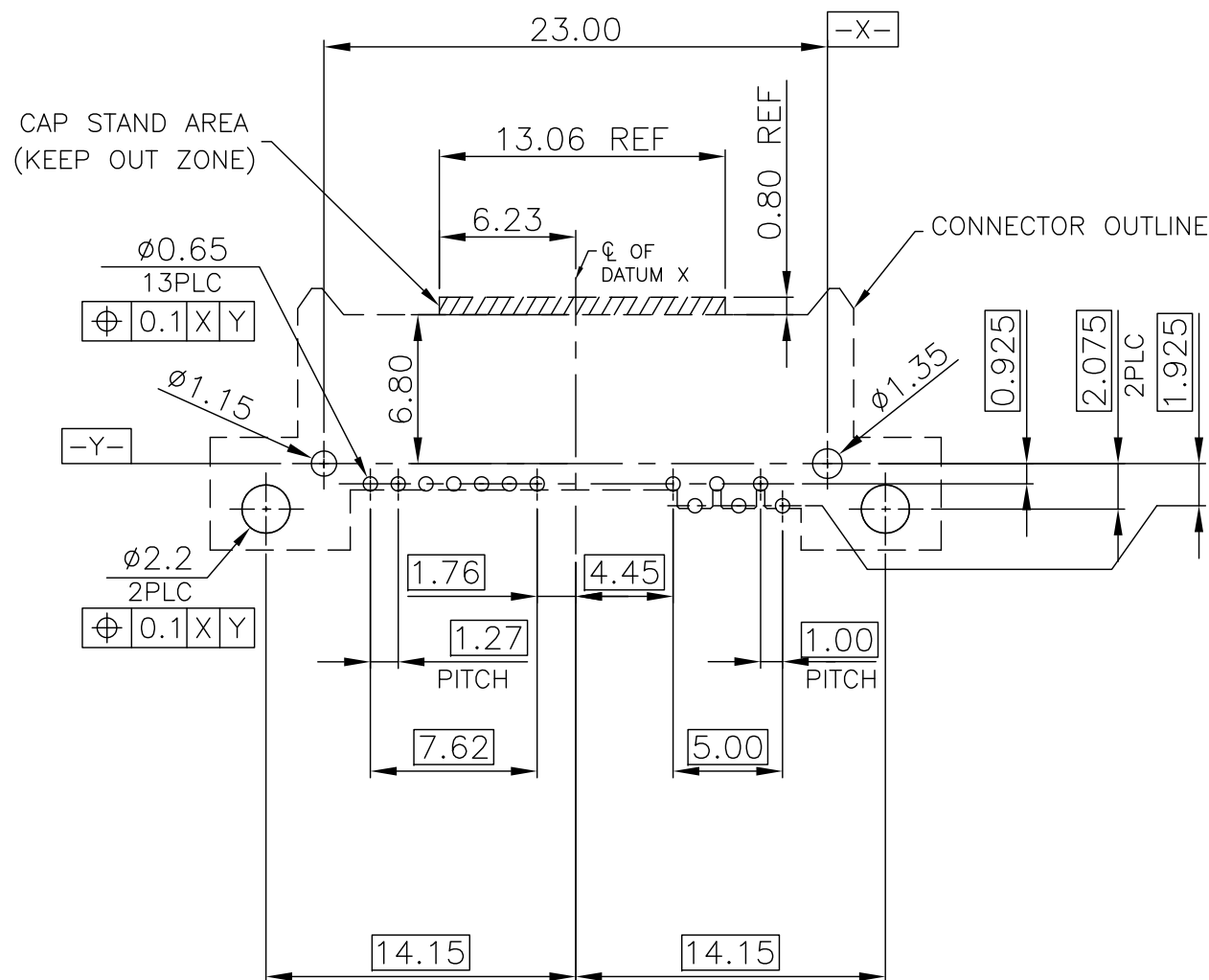
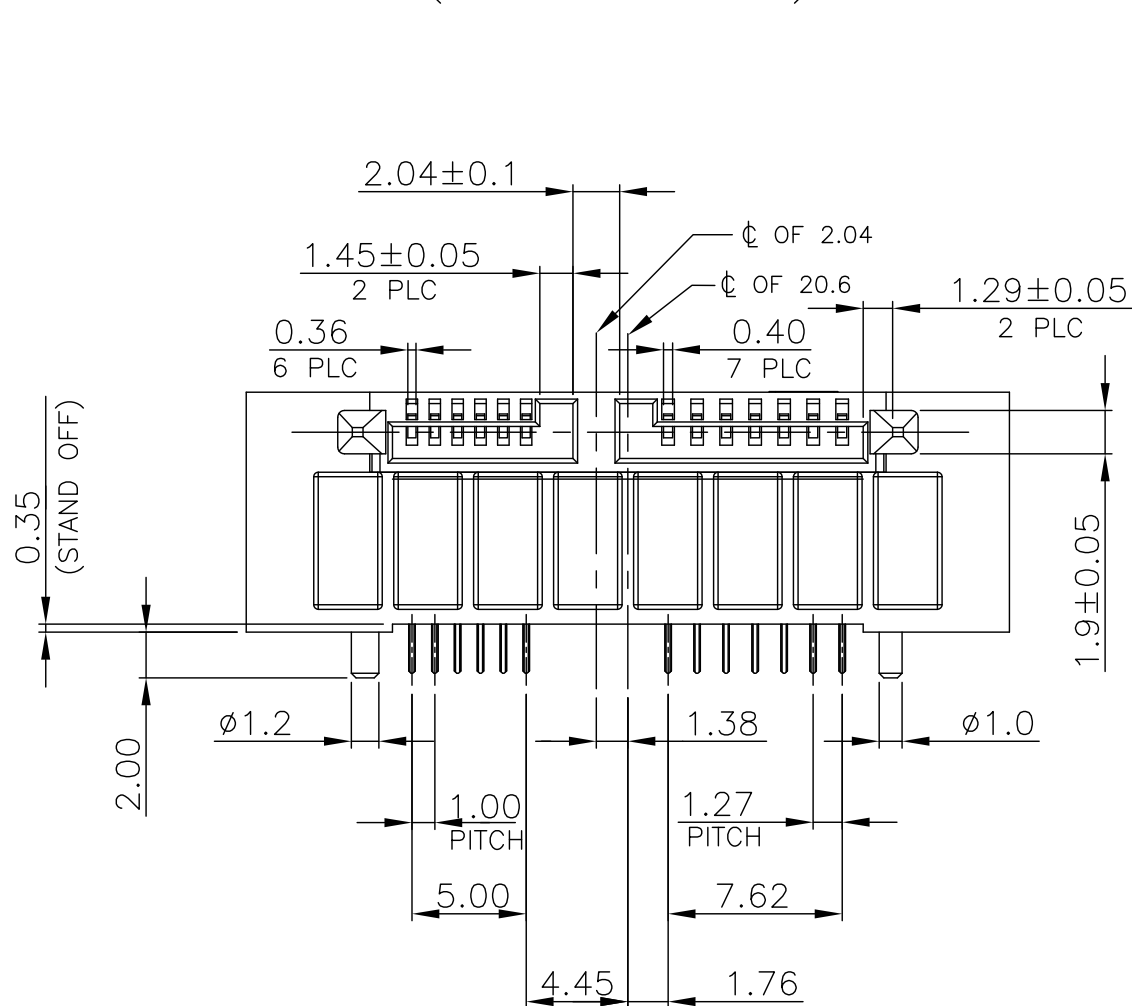


	W/O CAP WEIGHT	W/CAP WEIGHT	GOLD PLATING MIN.	PART NUMBER
OBSOLETE	2.1 g	2.35 g	0.76um[30u"]	1759981-9
	2.1 g	2.35 g	0.38um[15u"]	1759981-8
OBSOLETE	2.1 g	2.35 g	G/F	1759981-7

THIS DRAWING IS A CONTROLLED DOCUMENT.		DWN J. LAI 08SEP2009	Tyco Electronics Corporation Taipei, Taiwan	
DIMENSIONS: MM		CHK S. CHIEN 08SEP2009		
TOLERANCES UNLESS OTHERWISE SPECIFIED:		APVD W. KODAMA 08SEP2009	NAME	
0 PLC ± - 1 PLC ± 0.3 2 PLC ± 0.2 3 PLC ± 0.15 4 PLC ± - ANGLES ± 3°		PRODUCT SPEC	SLIMLINE SATA RECEPTACLE, BOTTOM MOUNT, DIP, NUT TYPE	
MATERIAL SEE NOTE		FINISH SEE NOTE	QUALIFICATION TEST REPORT	RESTRICTED TO
		WEIGHT SEE TABLE	501-99009	
		CUSTOMER DRAWING	108-99008	
			SIZE A3	
			CAGE CODE 00779	
			DRAWING NO C=1759981	
			SCALE -	SHEET 1 of 3
				REV E

LOC	DIST	REVISIONS			
P	LTR	DESCRIPTION	DATE	DWN	APVD
DW		SEE SHEET 1.			

(WITHOUT CAP)



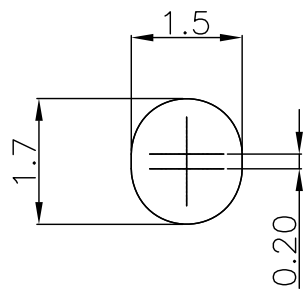
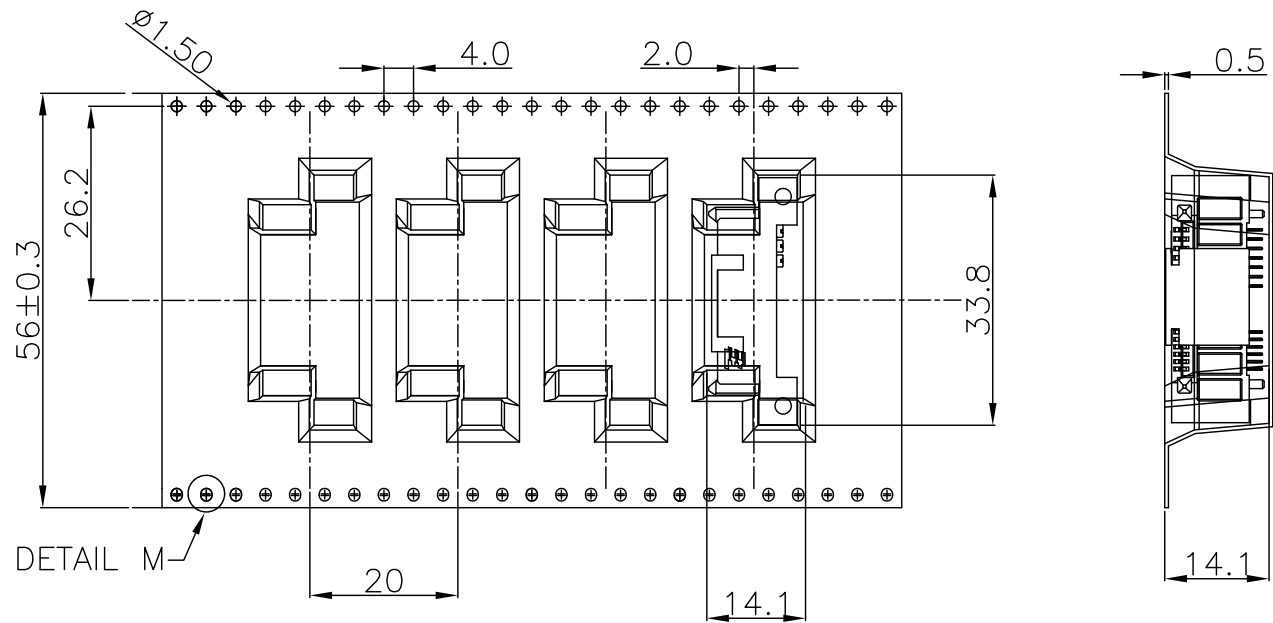
△ RECOMMENDED PCB LAYOUT  
 TOLERANCE: ±0.05mm (COMPONENT VIEW)  
 PCB THICKNESS 1.2mm

THIS DRAWING IS A CONTROLLED DOCUMENT.		DWN	Tyco Electronics Corporation Taipei, Taiwan	
DIMENSIONS: MM		CHK	NAME	
TOLERANCES UNLESS OTHERWISE SPECIFIED:		APVD	SLIMLINE SATA RECEPTACLE, BOTTOM MOUNT, DIP, NUT TYPE	
0 PLC ± -		PRODUCT SPEC	SIZE	CAGE CODE
1 PLC ± 0.3		APPLICATION SPEC	A3	00779
2 PLC ± 0.2		WEIGHT	DRAWING NO	
3 PLC ± 0.15		CUSTOMER DRAWING	C=1759981	
4 PLC ± -		SCALE	RESTRICTED TO	
ANGLES ± 3'		SHEET	REV	
FINISH		2 of 3	E	

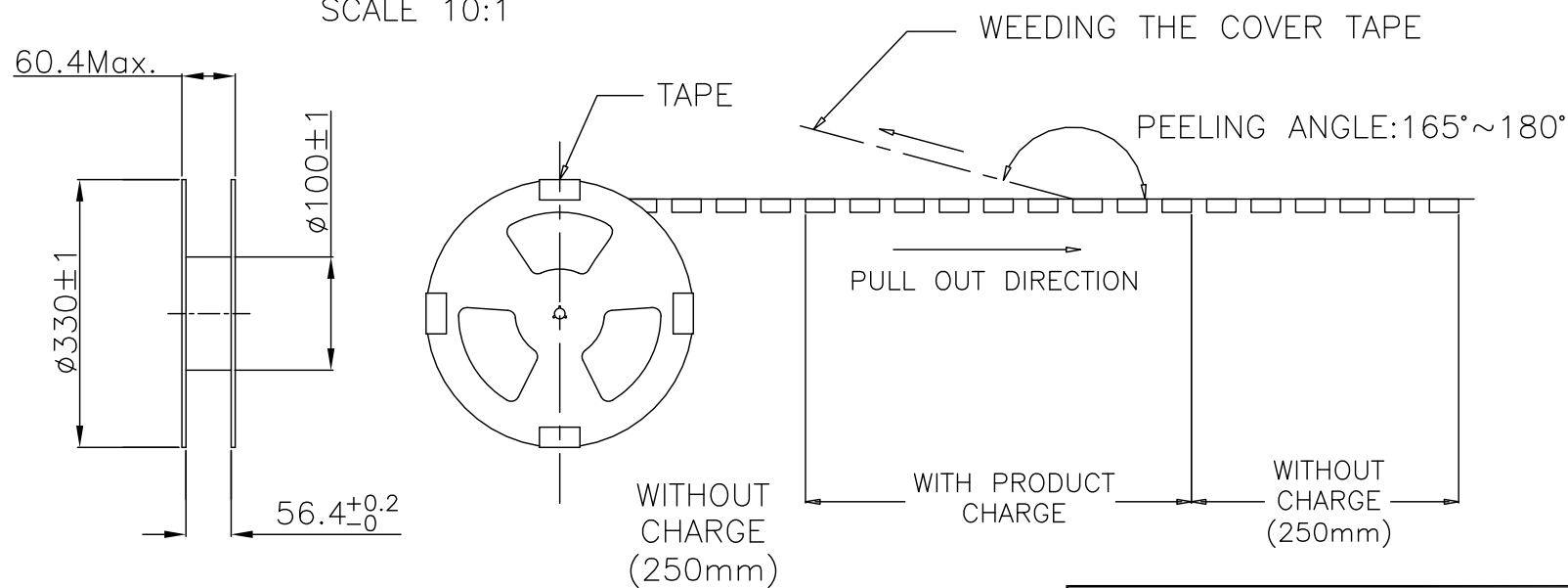
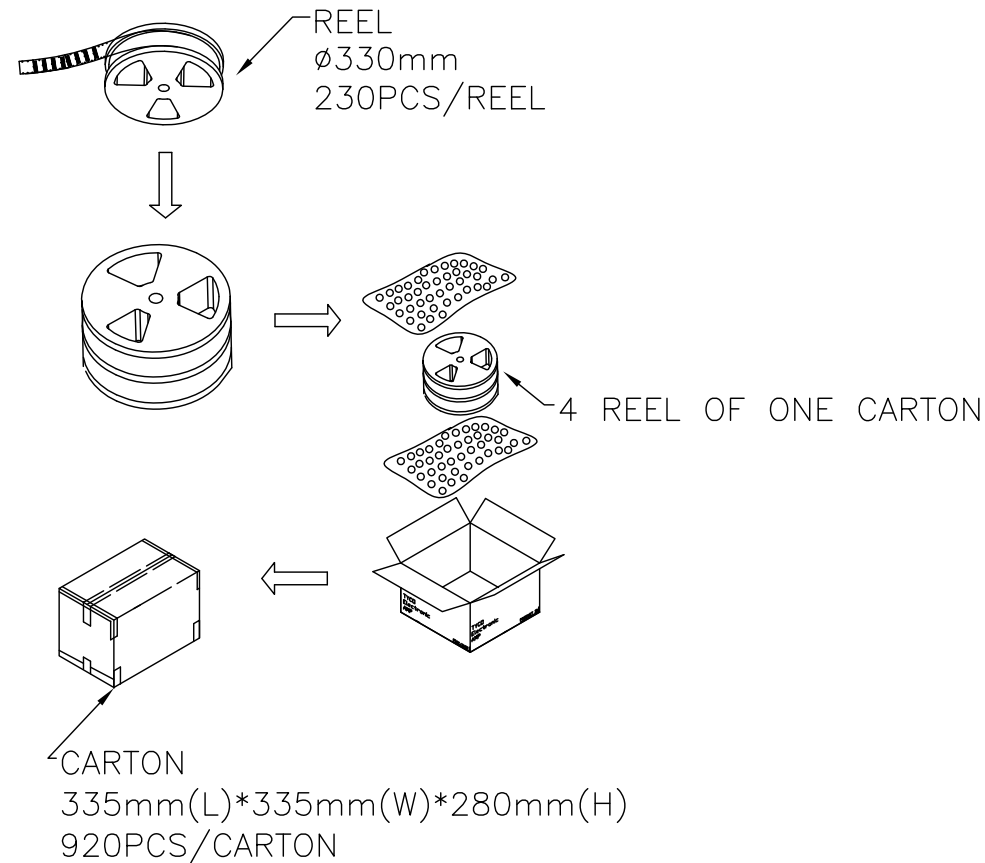
THIS DRAWING IS UNPUBLISHED. RELEASED FOR PUBLICATION AUG ,2006.

© COPYRIGHT BY TYCO ELECTRONICS CORPORATION. ALL RIGHTS RESERVED.

LOC	DIST	REVISIONS			
P	LTR	DESCRIPTION	DATE	DWN	APVD
DW		SEE SHEET 1.			



DETAIL M  
SCALE 10:1



OBSOLETE	230	920	1759981-9
	230	920	1759981-8
OBSOLETE	230	920	1759981-7
	PCS/REEL	PCS/CARTON	P/N

THIS DRAWING IS A CONTROLLED DOCUMENT.		DWN		Tyco Electronics Tyco Electronics Corporation Taipei, Taiwan	
DIMENSIONS: MM		CHK		NAME	
TOLERANCES UNLESS OTHERWISE SPECIFIED:		APVD		SLIMLINE SATA RECEPTACLE, BOTTOM MOUNT, DIP, NUT TYPE	
0 PLC ± -		PRODUCT SPEC		SIZE	
1 PLC ± -		APPLICATION SPEC		CAGE CODE	
2 PLC ± -		WEIGHT		DRAWING NO	
3 PLC ± -		CUSTOMER DRAWING		RESTRICTED TO	
4 PLC ± -				A3 00779 C=1759981	
ANGLES ± -				SCALE	
MATERIAL				SHEET 3 of 3	
FINISH				REV E	