

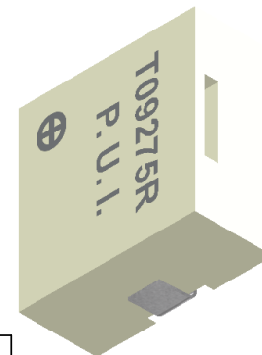
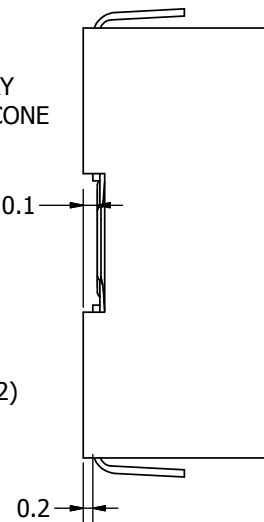
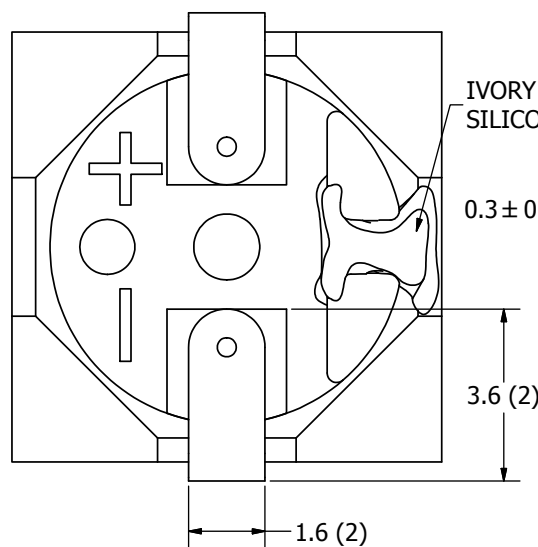
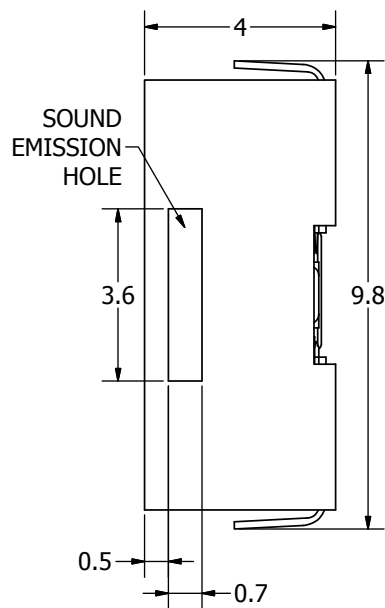
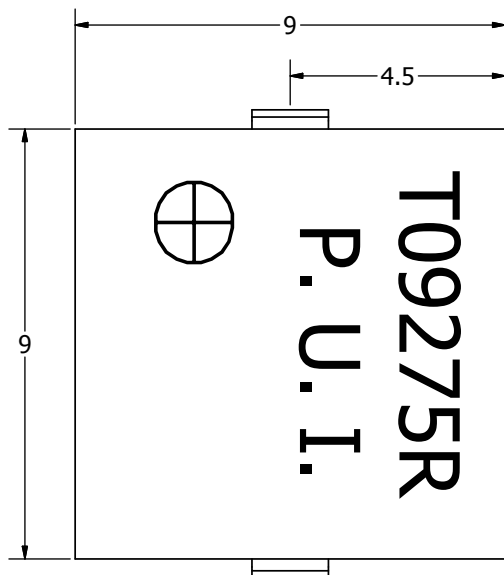
SPECIFICATIONS

PARAMETERS	VALUES	UNIT
RATED VOLTAGE	5	Vp-p
OPERATING VOLTAGE RANGE	3 ~ 7	Vp-p
RATED CURRENT (MAX)	80	mA
COIL RESISTANCE	32 ± 4.8	OHM
MINIMUM SPL @ 10 CM	85	dB
RESONANT FREQUENCY	2,730 ± 500	Hz
OPERATING TEMPERATURE	-30 ~ +70	°C
STORAGE TEMPERATURE	-40 ~ +85	°C
HOUSING MATERIAL	PA46	-
TERMINAL MATERIAL	Sn PLATED PHOSPHOR BRONZE	-
WEIGHT	0.8	grams

THIS DOCUMENT CONTAINS DATA PROPRIETARY TO PROJECTS UNLIMITED, INC. ANY USE OR REPRODUCTION, IN ANY FORM, WITHOUT PRIOR WRITTEN PERMISSION OF PROJECTS UNLIMITED, INC. IS PROHIBITED.
©2003, Projects Unlimited Inc.

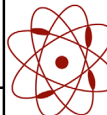
REVISION HISTORY

LTR	DESCRIPTION	DATE	APPROVED
-	RELEASED FROM ENGINEERING	9/16/2005	
A	REVISED SILICONE POSITION	6/2/2010	B.R.
B	REVISED TO INVENTOR 3-D DRAWING TEMPLATE	6/2/2010	B.R.



NOTES:

1. ALL DIMENSIONS ARE IN MILLIMETERS.
2. SPECIFICATIONS SUBJECT TO CHANGE OR WITHDRAWAL WITHOUT NOTICE.
3. THIS PART IS RoHS 2002/95/EC COMPLIANT.

UNLESS OTHERWISE SPECIFIED: DIMENSIONS ARE IN MILLIMETERS, TOLERANCES ARE ±0.5 AND ANGLES ARE ±3°.	SIZE A3	Designed by	Date	Checked by	Date	Approved by	Date	Drawn Date		
		J.A.F.	9/16/2005	E.P.	9/16/2005	B.R.	9/16/2005	6/2/2010		
SMT-0927-S-5-R.idw		 pui audio a projects unlimited company		SMT-0927-S-5-R			Transducer (Electro-Mech)		Edition -	Sheet 1 / 1