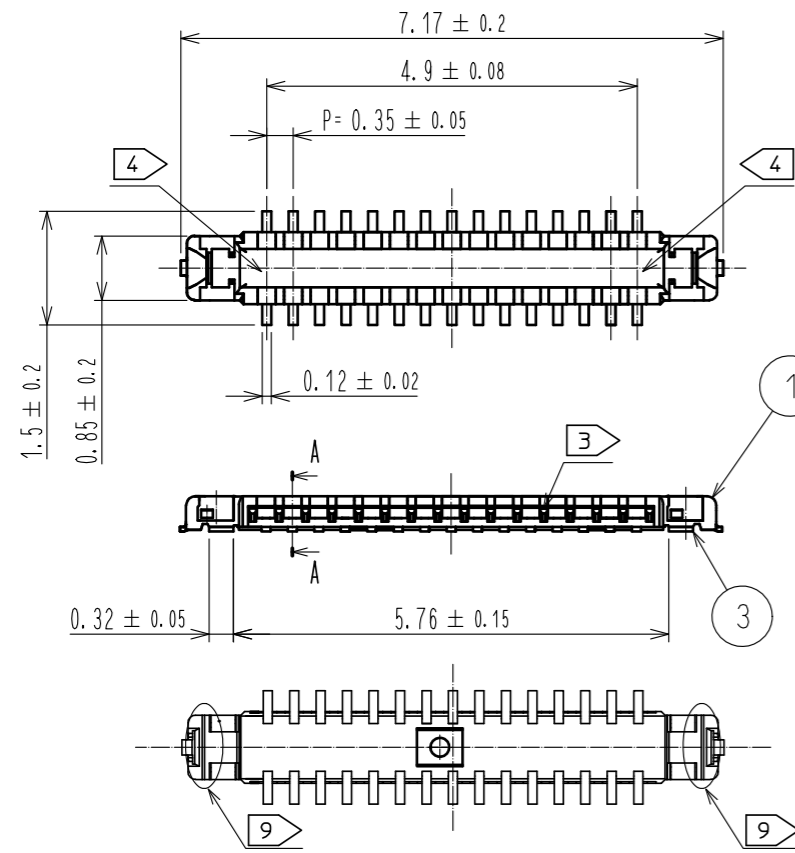
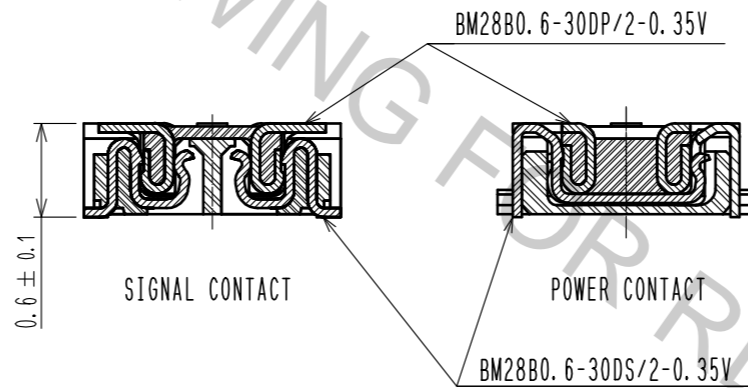


Aug.1.2018 Copyright 2018 HIROSE ELECTRIC CO., LTD. All Rights Reserved.
 In case that the application demands a high level of reliability, such as automotive,
 please contact a company representative for further information.

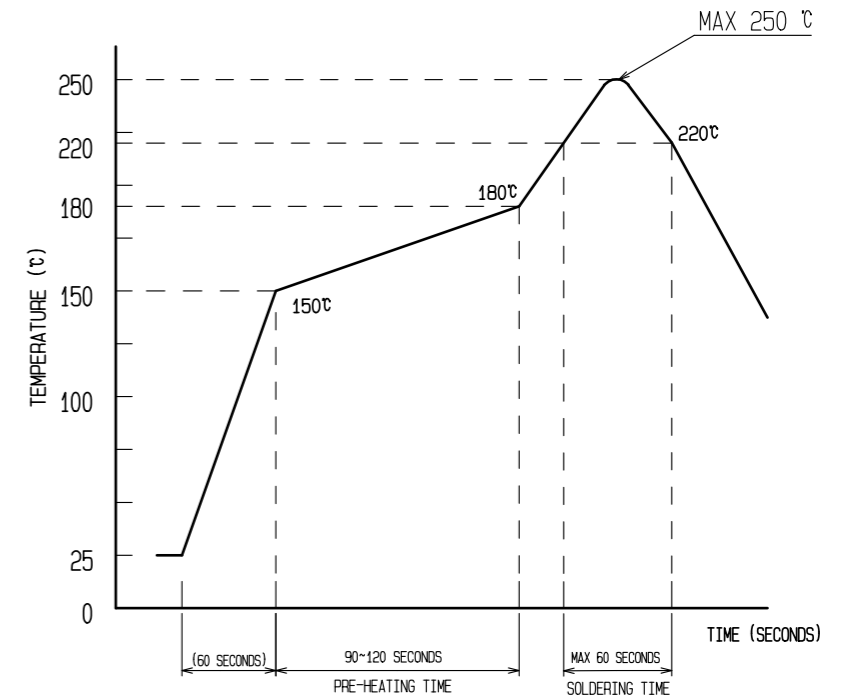


PICK AND PLACE AREA: 0.51

ENGAGEMENT FIGURE (20:1)



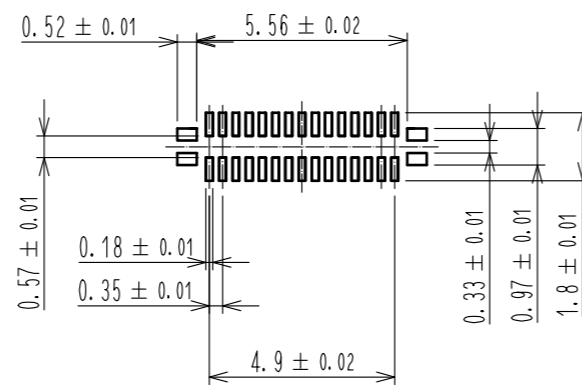
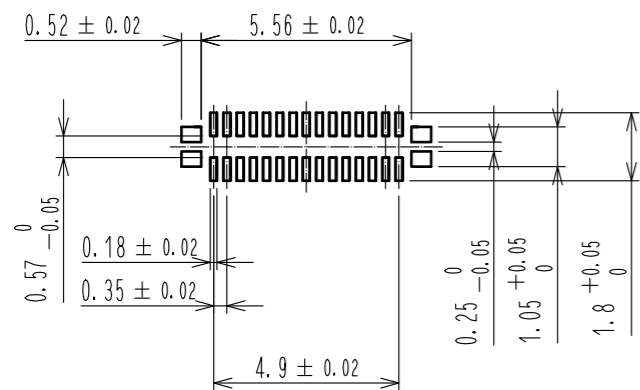
5 RECOMMENDED REFLOW TEMPERATURE PROFILE USING LEAD-FREE SOLDER PASTE.



REFLOW METHOD: IR REFLOW
 NUMBER OF REFLOW CYCLES: 2 CYCLES MAX.
 1) REFLOW TIME
 DURATION ABOVE 220°C: 60 SEC MAX.
 (PEAK TEMPERATURE: 250°C MAX)
 2) PRE-HEAT TIME
 PRE-HEAT TEMPERATURE (MIN): 150°C
 PRE-HEAT TEMPERATURE (MAX): 180°C
 PRE-HEAT TIME: 90-120 SEC.

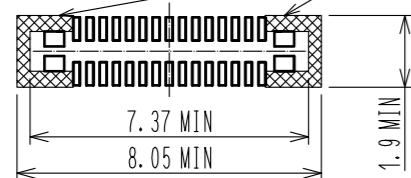
- NOTE 1. ALL LEAD CO-PLANARITY SHALL BE 0.08mm MAX.
 2 CONTACT PLATING SPECIFICATIONS
 CONTACT AREA : GOLD 0.05 μm MIN
 SMT LEAD : GOLD 0.05 μm MIN
 UNDER PLATING : NICKEL 1 μm MIN
 (SURFACE : SEALING)
 3 A PART OF THE WALL COULD BE NOTCHED.
 4 CAV NO. AND HRS MARK EXIST IN THE INDICATED POSITION.
 ◆ RECOMMENDED PCB LAYOUT (LAND PATTERN)

◆ RECOMMENDED METAL MASK DIMENSIONS
 METAL MASK THICKNESS : 80 μm



◆ RECOMMENDED PCB LAYOUT (ALLOCATION AROUND CONNECTOR)

NO COMPONENTS, AND NO CONDUCTIVE TRACES AND VIAS FOR OTHER COMPONENTS, WHICH WOULD INTERFERE WITH RECEPTACLE

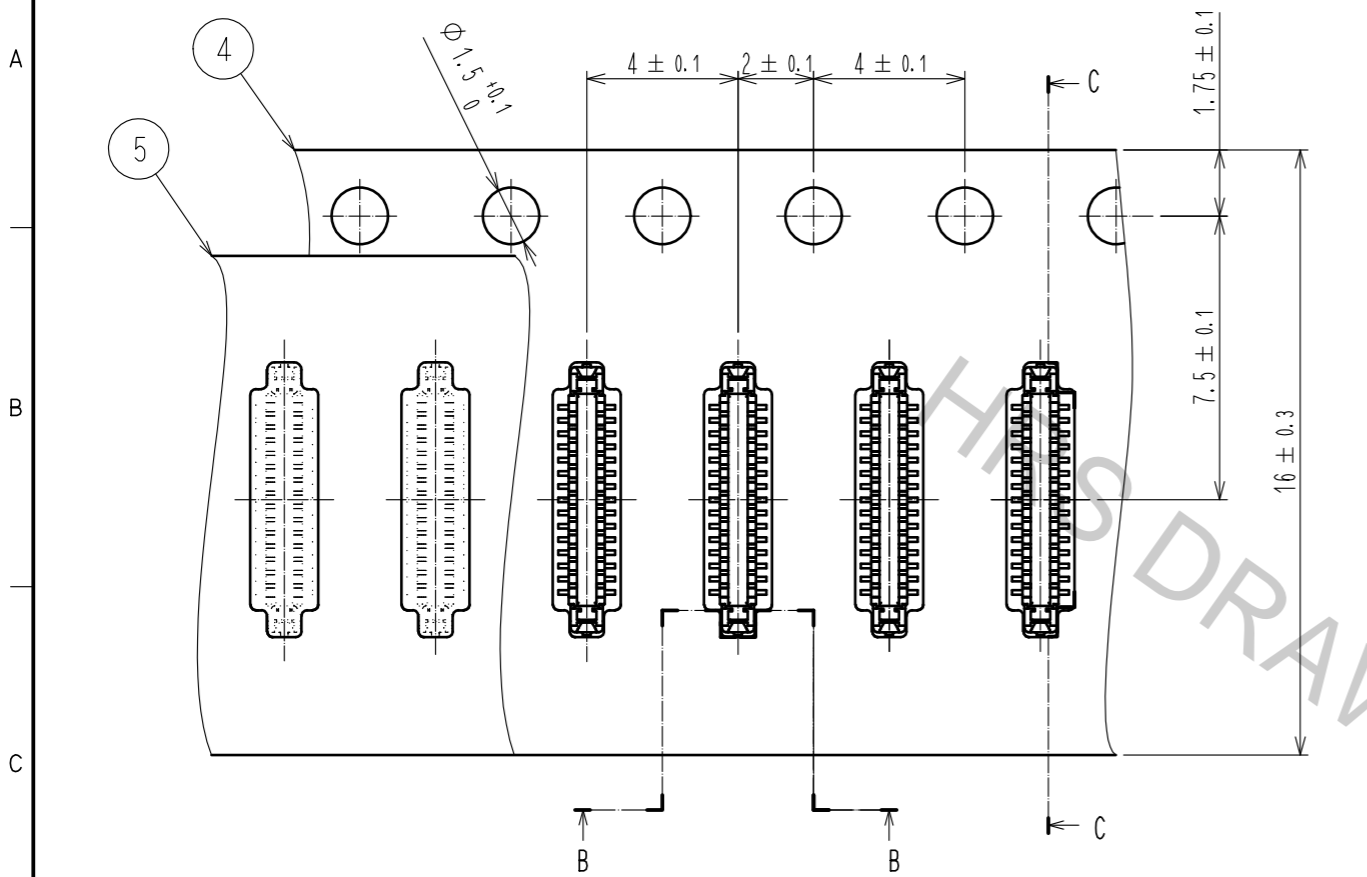


- 5 THIS TEMPERATURE PROFILE IS PER THE CONDITIONS SHOWN ABOVE. ADDITIONAL FACTORS, SUCH AS SOLDER PASTE TYPE, PCB SIZE AND OTHER MOUNTED COMPONENTS COULD AFFECT THE PROFILE. THEREFORE, A THOROUGH EVALUATION OF MOUNTING COONDITION IS REQUIRED PRIOR TO PRODUCTION. TEPERATURE IS MEASURED AT CONTACT LEAD.
 6. PLEASE CONTACT US IN CASE YOU WILL MAKE DIFFERENT SETTINGS FROM OUR RECOMMENDATION.
 7. THIS PRODUCT SATISFIES HALOGEN FREE REQUIREMENTS DEFINED AS 900ppm MAXIMUM CHLORINE, 900ppm MAXIMUM BROMINE, AND 1500ppm MAXIMUM TOTAL OF CHLORINE AND BROMINE.
 8. THIS PRODUCT COMPLY WITH ROHS.
 9 WELD LINE APPEARS IN THE INDICATED AREA.

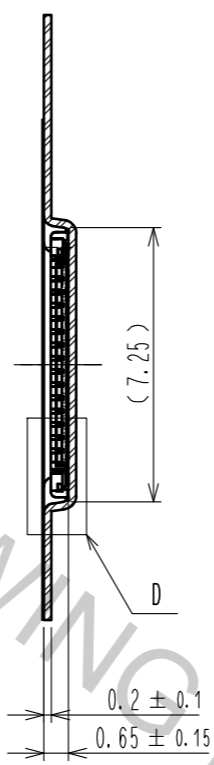
| | | | | | |
|-------------------------------|--------------|------------------------------|-------------------------------------|--|-----------------------------|
| 4 | PS | CLEAR(EMBOSSED CARRIER TAPE) | | | |
| 3 | COPPER ALLOY | 2 | 7 | PS | CLEAR(REINFORCEMENT COLLAR) |
| 2 | COPPER ALLOY | 2 | 6 | PS | BLACK(PLASTIC REEL) |
| 1 | LCP | UL94 V-0, BLACK | 5 | POLYESTER | CLEAR(COVER TAPE) |
| NO. | MATERIAL | FINISH . REMARKS | NO. | MATERIAL | FINISH . REMARKS |
| UNITS mm | ① | SCALE 10:1 | COUNT 1 | DESCRIPTION OF REVISIONS DIS-H-00002470 | DESIGNED RT. SHIMIZU |
| | | | | APPROVED : MO. ISHIDA 15.02.23 | CHECKED TS. MIYAZAKI |
| | | | | CHECKED : WR. FUKUCHI 15.02.23 | DATE 17.01.18 |
| | | | | DESIGNED : YK. SATAKE 15.02.20 | |
| | | | | DRAWN : YK. SATAKE 15.02.20 | |
| HRS HIROSE ELECTRIC CO., LTD. | | | DRAWING NO. EDC-363043-51-00 | | |
| | | | PART NO. BM28B0. 6-30DP/2-0.35V(51) | | |
| | | | CODE NO. CL673-5020-0-51 | | |

Aug.1.2018 Copyright 2018 HIROSE ELECTRIC CO., LTD. All Rights Reserved.
 In case that the application demands a high level of reliability, such as automotive,
 please contact a company representative for further information.

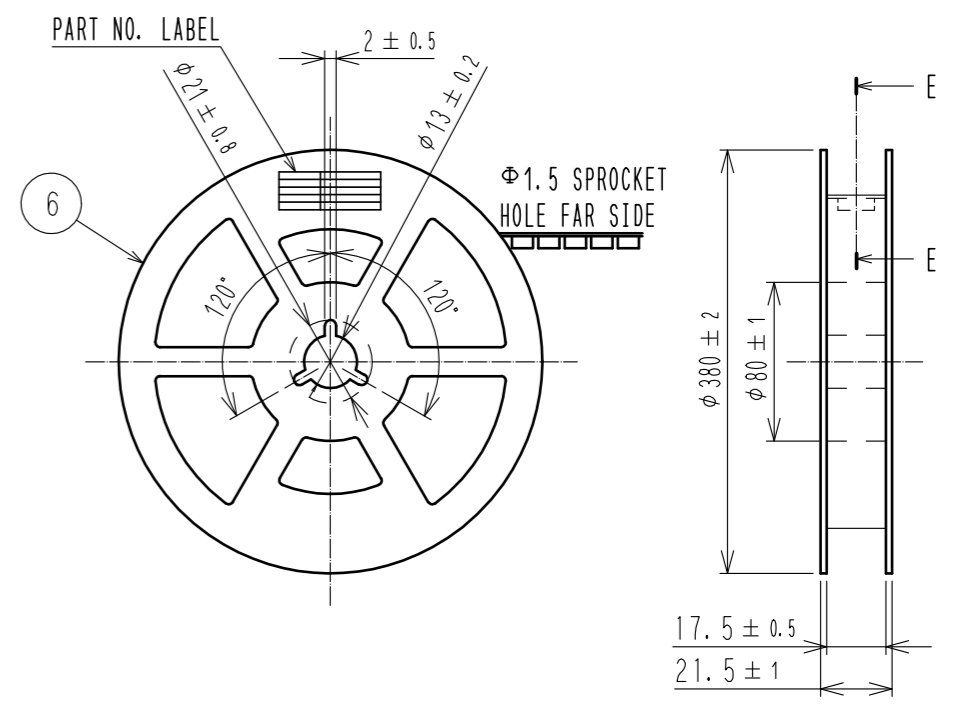
EMBOSSED CARRIER TAPE PACKAGING (5:1)



C-C (5:1)

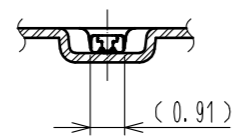


STYLE AND DIMENSION OF REEL (FREE)

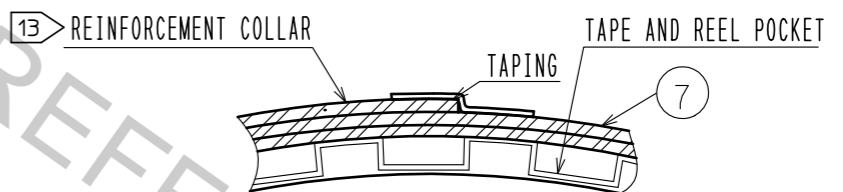


DIRECTION OF UNREELING

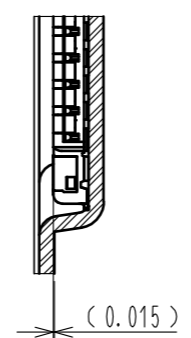
B-B (5:1)



E-E (FREE)



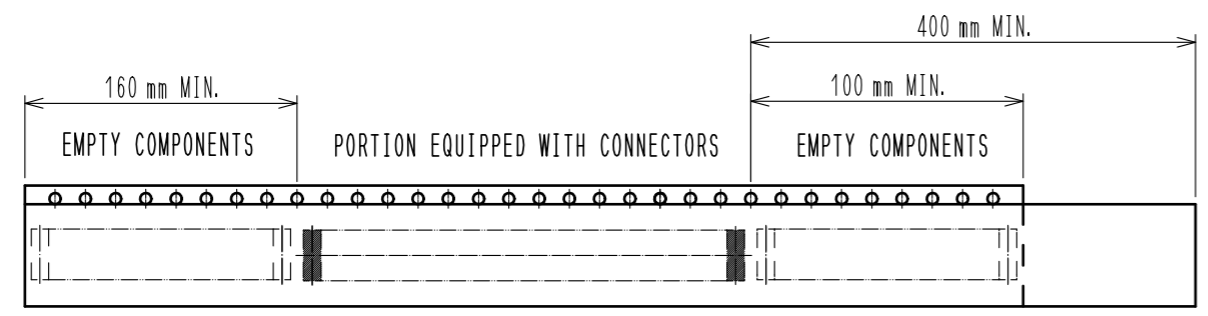
D (10:1)



DETAIL OF PART NO. LABEL

| | | |
|-------|----------------|----------------------|
| 製造年月日 | ** ** * | DATA OF MANUFACTURED |
| 製品コード | CL0673-****-** | CODE NO. |
| 製品名 | BM28B0.6-** | PART NO. |
| 数量 | 20,000 | QUANTITY |
| 納入者 | ヒロセ電機(株) | SUPPLIER |

- 10 . PER REEL 20,000 CONNECTORS.
- 11 . THE DIMENSIONS IN PARENTHESES ARE FOR REFERENCE.
- 12 . REFER TO JIS C 0806 (PACKAGING OF COMPONENTS FOR AUTOMATIC HANDLING)
- 13 . AFTER PACKAGING, ROLL 2 METERS OF THE REINFORCEMENT COLLAR TO OUTER CIRCUMFERENCE OF TAPE AND REEL POCKET, AND TAPE DOWN AT THE END THE COLLAR.



12 TAPING(FREE)

| | | |
|------------|-------------|---------------------------|
| HRS | DRAWING NO. | EDC-363043-51-00 |
| | PART NO. | BM28B0.6-30DP/2-0.35V(51) |
| | CODE NO. | CL673-5020-0-51 |
| | | 2/2 |