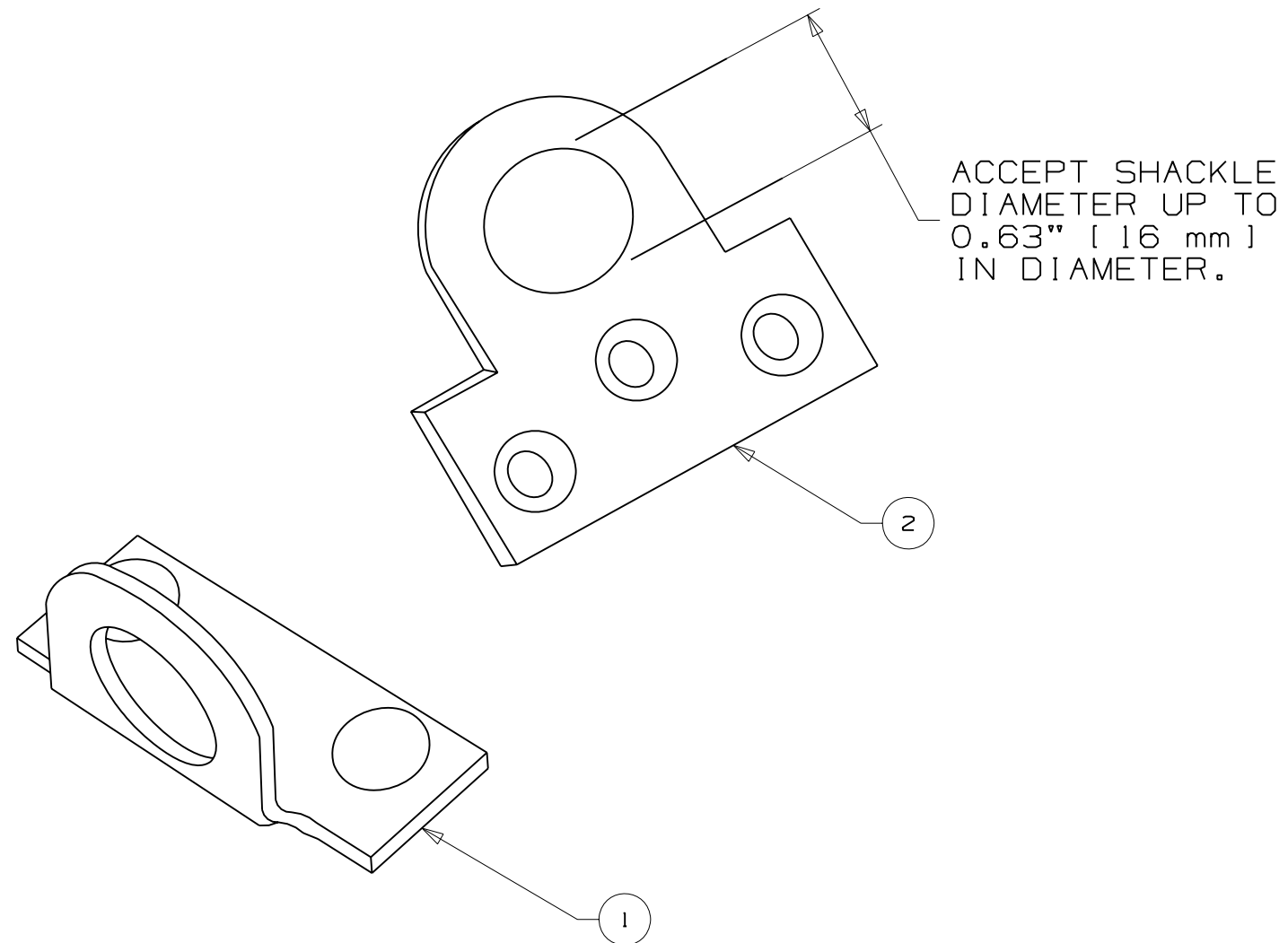


ITEM NO.	PART NUMBER	PART DESCRIPTION	STD. PKG. QTY.	STD. CTN. QTY.
1	PSL-PE1	PADLOCK EYES, ANGLED (METAL MOUNTING SCREWS INCLUDED)	1	10
2	PSL-PE2	PADLOCK EYES, STRAIGHT (WOOD MOUNTING SCREWS INCLUDED)	1	10



CAD FILENAME/LAYERS 100619DQ\_C10445\_PSL-PE1\_00.prt

**PANDUIT** CORP TINLEY PARK, ILLINOIS

**CUSTOMER DRAWING  
PADLOCK EYES**

UNLESS OTHERWISE SPECIFIED,  
DIMENSIONAL TOLERANCES ARE:  
(.X) ± .03 (,.XXX) ± .010  
(.XX) ± .015 ANGLES ±

UNLESS OTHERWISE SPECIFIED,  
ALL DIMENSIONS ARE GIVEN IN  
INCHES, THIRD ANGLE PROJECTION

DRAWN BY RVU

MAT'L: .13" (3.00 mm) HARD WROUGHT STEEL

SCALE NTS

DATE 8-18-06

CHK'D

DRAWING NO. C10445

DWG SIZE B

REV	DATE	BY	CHK	DESCRIPTION	ECN	R	CUST	SUP
0	8-18-06	RVU		DRAWING RELEASE	4659	R		