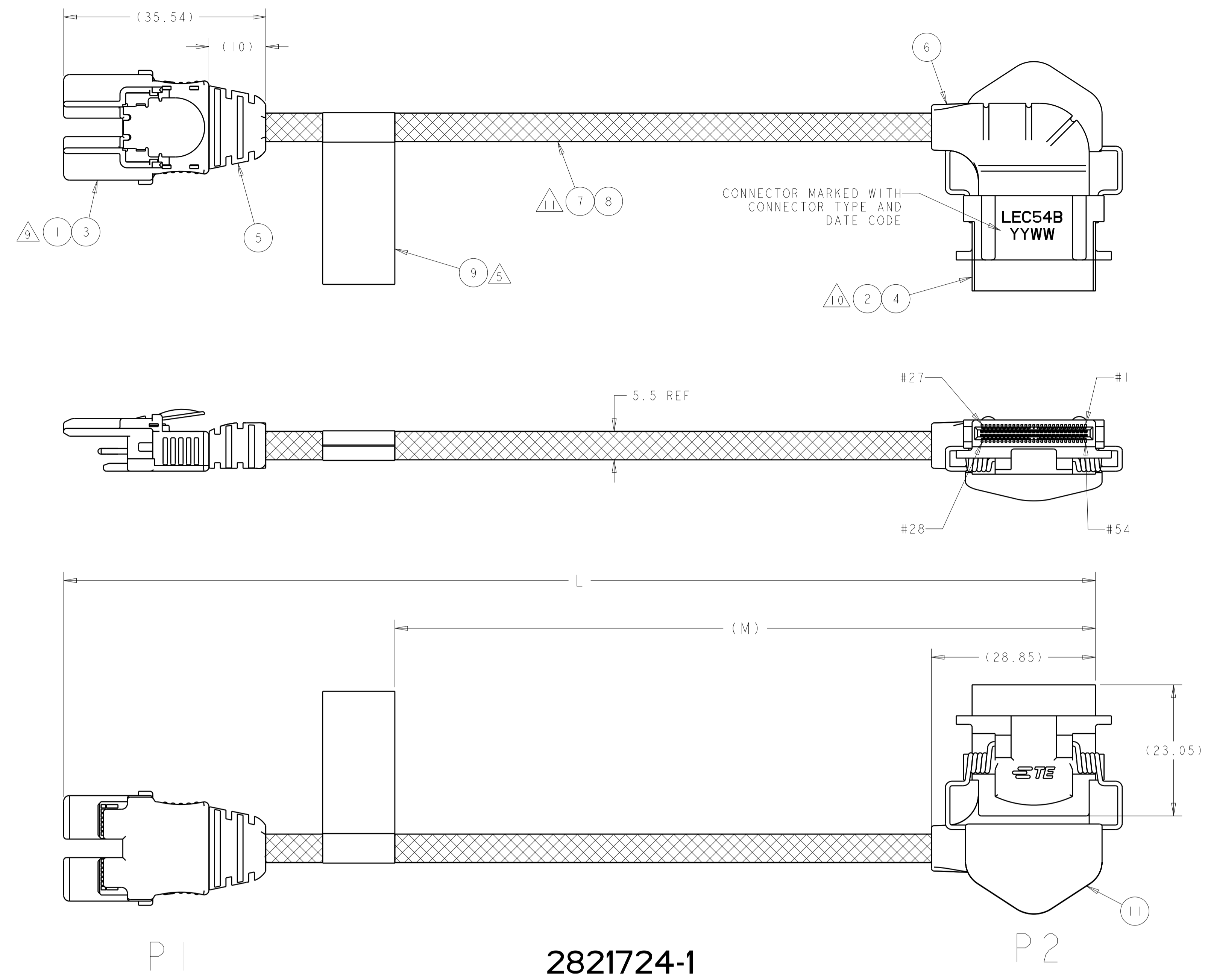
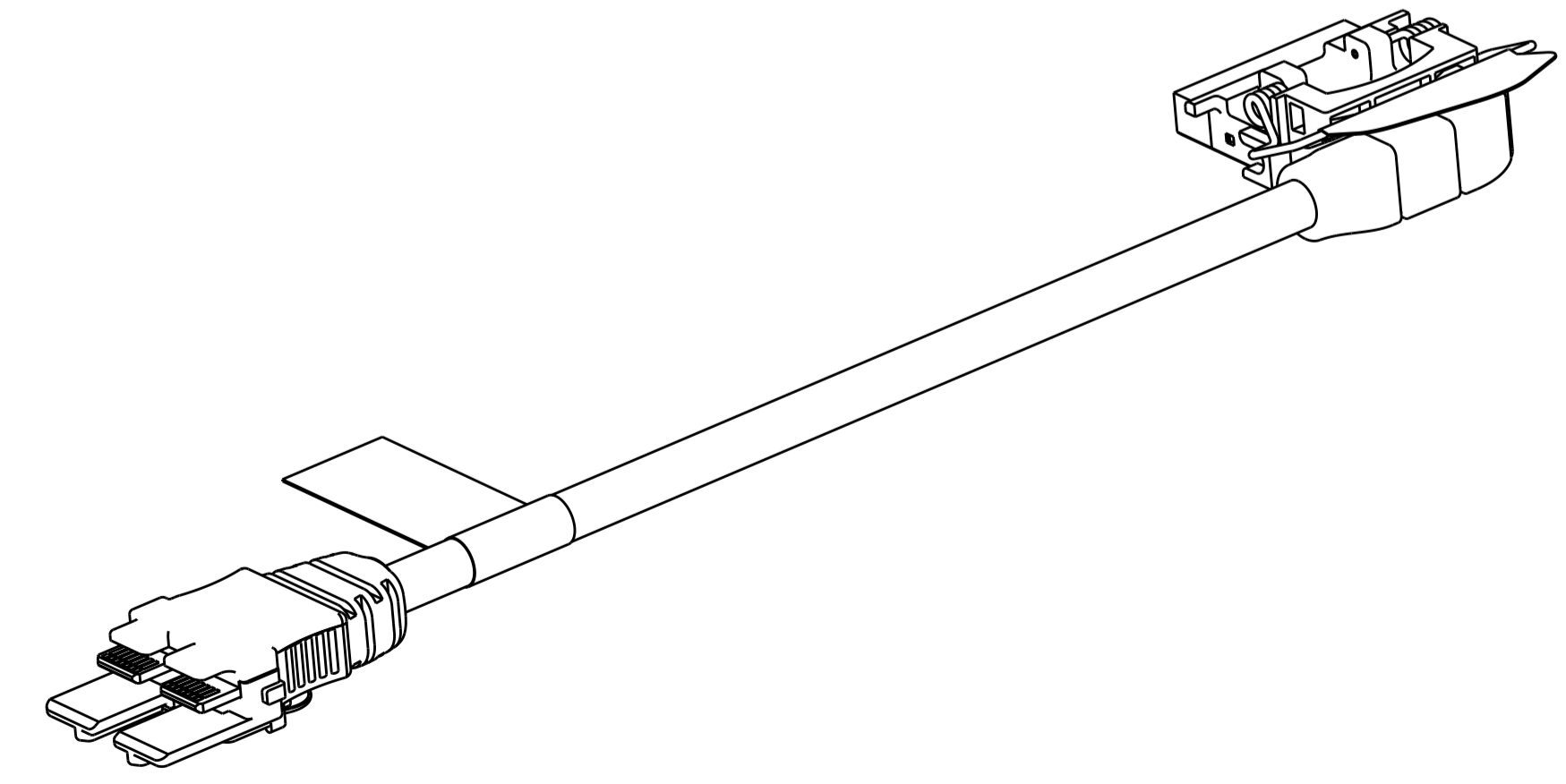


REVISIONS				
P	LTR	DESCRIPTION	DATE	APVD
A		RELEASED	03APR2017	GL CP
B		REVISED PER ECO-17-004604	20APR2017	CP GL
C		REVISED ECO-17-013749	19SEP2017	GL CP
D		REVISED ECO-18-007459	24APR2018	FZ CP



Callout	Part Description	QTY	Dim	Part No	TE Part No
6	WRAP (SHEET 2)	40	235±5	H79267-005	1-2821724-13
7	WRAP (SHEET 2)	60	405±5	-	2821724-7
7	WRAP (SHEET 2)	60	500±5	-	2821724-612
6	WRAP (SHEET 2)	60	439±5	H74964-005	2821724-5
7	WRAP (SHEET 2)	60	419±5	-	2821724-4
6	WRAP (SHEET 2)	100	318±5	H86176-005	2821724-3
6	WRAP (SHEET 2)	40	235±5	H79267-005	2821724-2
5	FLAG (SHEET 1)	60	178±5	H74963-005	2821724-1
	LABEL TYPE	(M)	L	INTEL PART NO	TE PART NO

CABLE PINOUT			
PAIR	PIN NAME	P1	P2
GROUND BUS	-	1	1
1	HF10_RX_DN(1)	2	2
	HF10_RX_DP(1)	3	3
GROUND BUS	-	4	4
GROUND BUS	-	28	4
2	HF10_RX_DN(2)	27	5
	HF10_RX_DP(2)	26	6
GROUND BUS	-	25	7
3	HF10_RX_DN(3)	5	8
	HF10_RX_DP(3)	6	9
GROUND BUS	-	25	10
4	HF10_RX_DN(4)	24	11
	HF10_RX_DP(4)	23	12
GROUND BUS	-	22	13
GROUND BUS	-	7	14
GROUND BUS	-	8	15
5	HF10_TX_DP(4)	9	16
	HF10_TX_DN(4)	10	17
GROUND BUS	-	21	18
6	HF10_TX_DP(3)	20	19
	HF10_TX_DN(3)	19	20
GROUND BUS	-	11	21
7	HF10_TX_DP(2)	12	22
	HF10_TX_DN(2)	13	23
GROUND BUS	-	14	24
GROUND BUS	-	18	24
8	HF10_TX_DP(1)	17	25
	HF10_TX_DN(1)	16	26
GROUND BUS	-	15	27



Callout	Part Description	QTY	Dim	Part No	TE Part No				
11	PULL TAB				11				
10	LABEL, WRAP				10				
9	LABEL, FLAG				9				
8	SLEEVING, EXPANDABLE				8				
7	85 OHM TWINAX CABLE, 30AWG 25G TURBO TWIN™				7				
6	OVERMOLDED STRAIN RELIEF, LECB				6				
5	OVERMOLDED STRAIN RELIEF, IFP				5				
4	DUST COVER, LECB (NOT SHOWN)				4				
3	DUST COVER, IFP (NOT SHOWN)				3				
2	LEC 54B RECPT, 54 POSN				2				
1	IFP PLUG, 28 POSN				1				
	DESCRIPTION				ITEM NO				
1-1	-7	-6	-5	-4	-3	-2	-1		

THIS DRAWING IS A CONTROLLED DOCUMENT.

DIMENSIONS:	TOLERANCES UNLESS OTHERWISE SPECIFIED:	APVD	NAME
mm	0 PLC ±0.5 2 PLC ±0.13 3 PLC ±0.013 4 PLC ± ANGLES ±	T. SMITH 13JUL2016 C. POGASH 13JUL2016	IFP ASSEMBLY, TYPE B, LEFT EXIT 1-PORT, INVERTED
MATERIAL	FINISH	WEIGHT	SIZE CAGE CODE DRAWING NO
			A1 - C=2821724
CUSTOMER DRAWING		SCALE 2:1	SHEET 1 OF 2 REV D

STE TE Connectivity

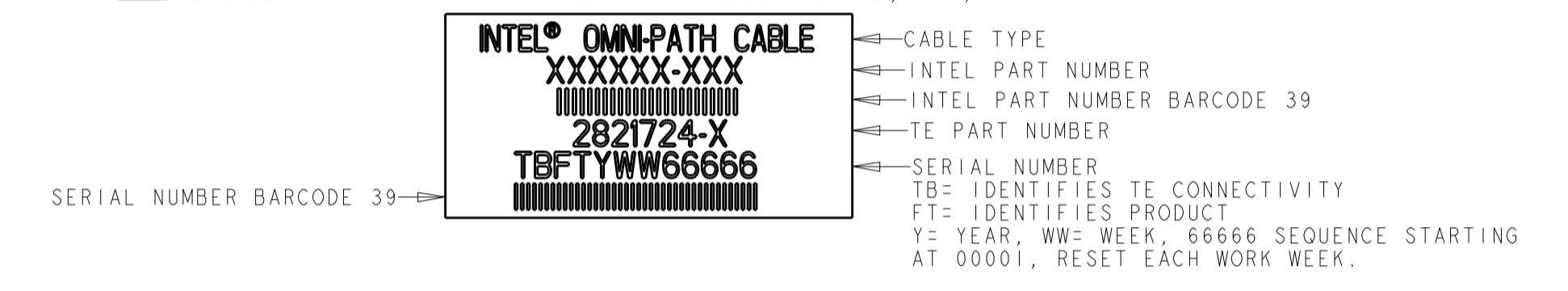
REVISIONS				
P.	LTN	DESCRIPTION	DATE	OWN APVD
		SEE SHEET 1		

1. THIS ASSEMBLY CONFORMS TO INTEL PART NO. (SEE TABLE).
2. EACH ASSEMBLY TESTED FOR OPENS, SHORTS AND SIGNAL INTEGRITY.
3. ALL MATERIALS, COMPONENTS AND PROCESS SHALL COMPLY WITH TEC-138-702 AND CONTAIN NO BANNED OR RESTRICTED SUBSTANCES.
4. EACH ASSEMBLY PACKAGED IN ESD MOISTURE BARRIER BAG WITH DESICCANT.

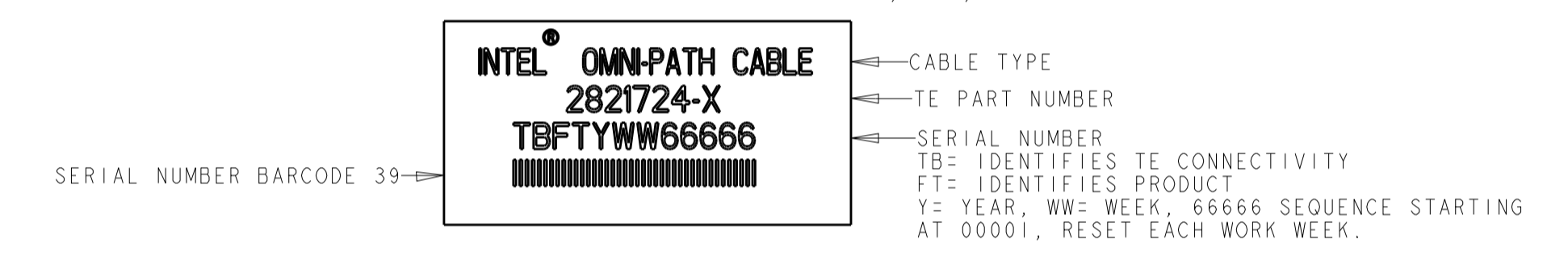
△ LABEL INFORMATION: (ITEM 9): 2821724-1 (SEE SHEET 1)



△ LABEL INFORMATION (ITEM 10): 2821724-2, -3, -5

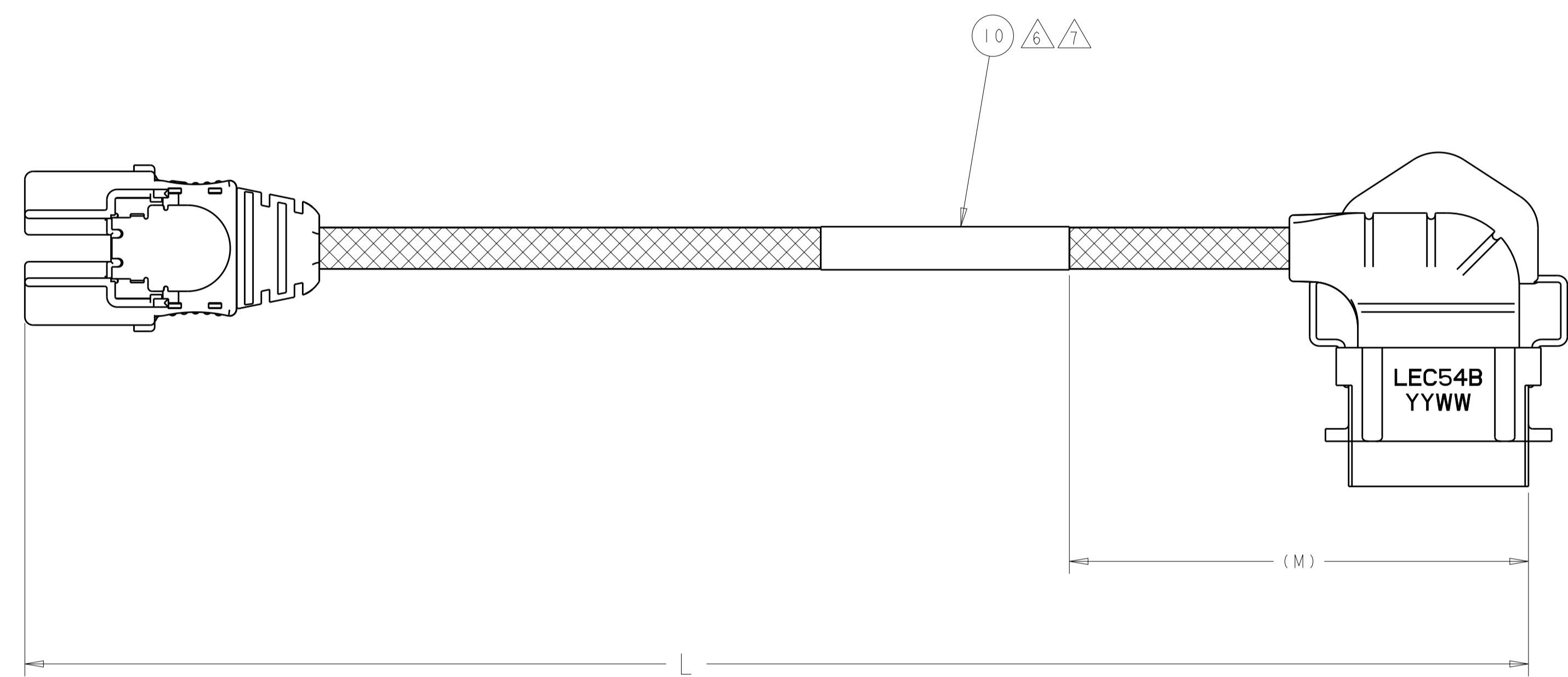


△ LABEL INFORMATION (ITEM 10): 2821724-4, -6, -7



8. CABLE ASSEMBLY BUILT IN ACCORDANCE WITH INTEL DESIGN GUIDE 1.0
9. FINISH (CONTACT PADS): 30μIN MINIMUM GOLD PER TE SPEC 112-162-1 OVER 100μIN MINIMUM NICKEL PER TE SPEC 112-25-2.
10. FINISH: 50μIN MINIMUM GOLD PER TE SPEC 112-162-5, IN LOCALIZED GOLD PLATE AREA, OVER 50μIN MINIMUM NICKEL PER TE SPEC 112-25-2 ON ENTIRE STOCK.
11. CABLE PART #: 023B2LF023
CABLE SPEC: 104-1587
12. CABLE ASSEMBLY LENGTH OFFERED BY TE IS NOT REFERENCED WITHIN INTEL DESIGN GUIDE 1.0
13. REQUIRED SPECIAL PACKAGE FOLLOWING CUSTOMER SPEC: J51641-Omnipath_kit_TE.docx AND BELOW TABLE.

14. NO REACH SvHC SHALL BE CONTAINED ABOVE THE THRESHOLD AS DEFINED IN REACH SvHC COMPLIANCE DEFINITION IN ANNEX A OF TEC-138-702.
15. ALL PRODUCT COMPONENTS AND PROCESSES SHALL MEET THE HALOGEN REQUIREMENTS OF CODE 2: CL<900PPM, Br<900PPM, CL+Br<1500PPM PER HOMOGENEOUS MATERIAL.



**2821724-2, -3, -4, -5, -6, -7, 1-1
 WRAP AROUND LABEL
 REQUIREMENT
 ALL ASSEMBLY REQUIREMENTS
 SAME AS -1 EXCEPT FOR
 LABEL**

PC - L6 SYSTEMS - GOLD	DESCRIPTION	UPC/EAN	MM	TA	TA REV	PBA#/ITEM/SPARE	TE CROSS PN
AXXCBL2351FPL1	IFT Omnipath Left 235 mm	UPC: 735858346092 EAN: 5032037106375	958252	J53188-001	1	H79267-005	1-2821724-1

THIS DRAWING IS A CONTROLLED DOCUMENT.		OWN T. SMITH 13JUL2016	TE Connectivity
DIMENSIONS: mm		CHK C. POGASH 13JUL2016	
TOLERANCES UNLESS OTHERWISE SPECIFIED: 0 PLC ±. 1 PLC ±0.5 2 PLC ±0.13 3 PLC ±0.013 4 PLC ±. ANGLES ±. FINISH ±.		APVD	NAME
MATERIAL		PRODUCT SPEC	1FP ASSEMBLY, TYPE B, LEFT EXIT 1-PORT, INVERTED
		APPLICATION SPEC	
		WEIGHT	SIZE CAGE CODE DRAWING NO
		CUSTOMER DRAWING	A1 - C=2821724
		SCALE	RESTRICTED TO
		2:1	SHEET 2 OF 2 REV D