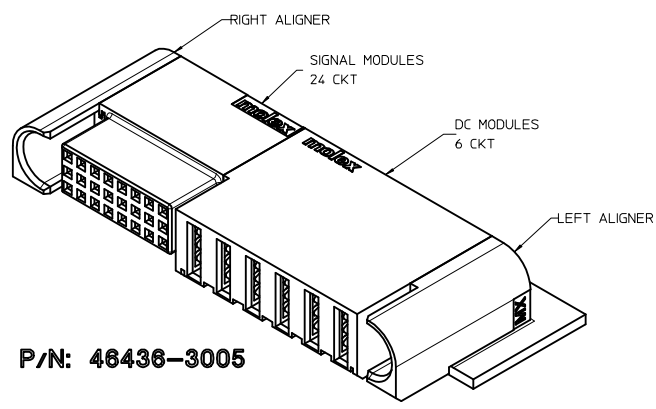
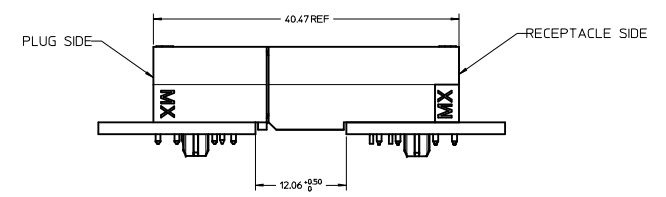
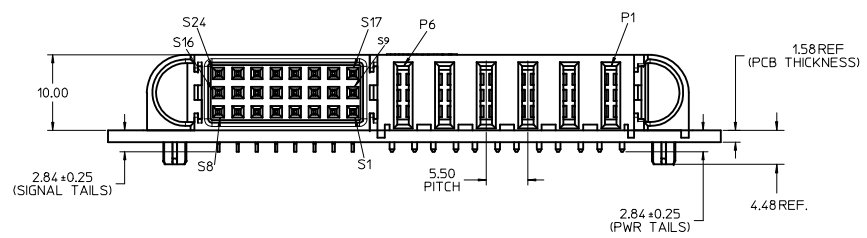


RECOMMENDED PC BOARD LAYOUT & KEEP-OUT ZONE



P/N: 46436-3005

- NOTES:
- MATERIAL:
 - HOUSINGS: LCP UL94, V-0, COLOR: BLACK.
 - TERMINALS: COPPER ALLOY.
 - PLATING: 0.00127 NICKEL OVERALL WITH 0.00254 SELECTIVE TIN ON SOLDER TAILS AND 0.000762 SELECTIVE GOLD ON CONTACT AREA.
 - ASSEMBLIES PACKED IN TRAYS, SPO: TBD
 - PC BOARD REQUIRES SOLDER THRU HOLES, REFER TO PS-46436-100 FOR DETAILS
 - PRODUCT SPEC: PS-46436-100.
 - APPLICATION SPEC: AS-46436-100.
 - PRODUCT TO MEET RoHS REQUIREMENTS.
 - ASSEMBLY MATES TO MOLEX PLUG ASSEMBLY P/N 46437-3005.

RELEASED IEC NO: UCP2009-2546 D DRWN: JUILLES 2009/05/05 CHKD: JJOH 2009/05/05 APPR: APATEL 2009/05/05 REV	QUALITY SYMBOLS DESCRIPTION	GENERAL TOLERANCES (UNLESS SPECIFIED)		DIMENSION STYLE MM ONLY		SCALE NTS	DESIGN UNITS METRIC	THIRD ANGLE PROJECTION
		4 PLACES ± --- ± --- 3 PLACES ± --- ± --- 2 PLACES ± 0.25 ± --- 1 PLACE ± 0.25 ± ---	m/m INCH ± --- ± --- ± 0.25 ± --- ± 0.25 ± ---	DRAWN BY KJKOH	DATE 2009/03/11	TITLE	RA RECEPT ASSY TEN60 POWER, GUIDES G-6P-24S-G	
		ANGULAR ± 1/2°	DRAFT WHERE APPLICABLE MUST REMAIN WITHIN DIMENSIONS	CHECKED BY KJKOH	DATE 2009/03/11	MOLEX INCORPORATED	DOCUMENT NO. SD-46436-305	
		SIZE A 1	MATERIAL NO. 46436-3005	APPROVED BY SHONG	DATE	SHEET NO. 1 OF 1	THIS DRAWING CONTAINS INFORMATION THAT IS PROPRIETARY TO MOLEX INCORPORATED AND SHOULD NOT BE USED WITHOUT WRITTEN PERMISSION	