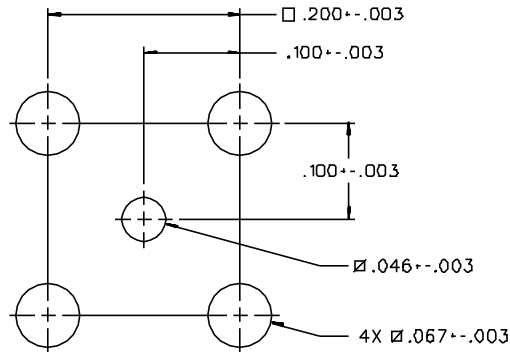
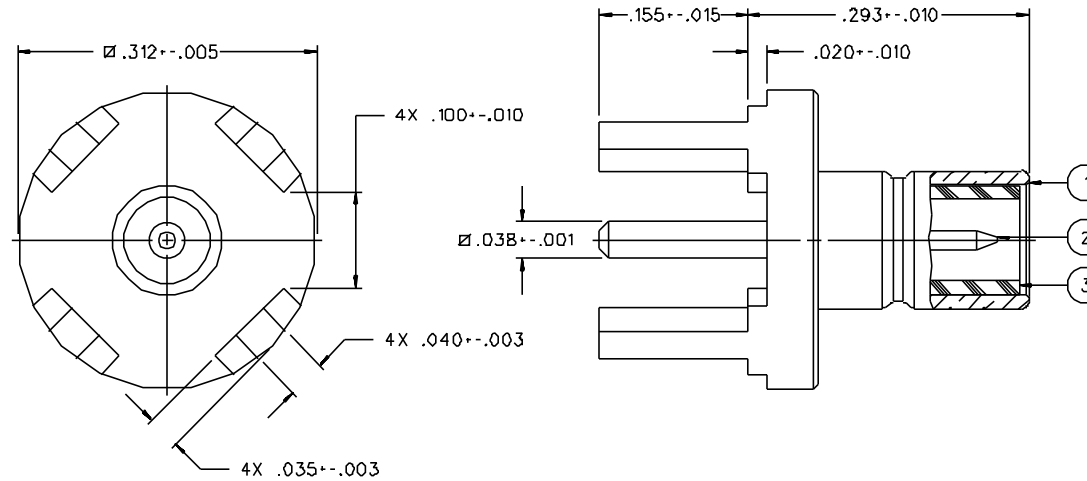


| PART NUMBER | ITEM ① BODY | ITEM ② CONTACT | ITEM ③ INSULATOR |
|--------------|---|---|---------------------|
| 131-3701-201 | BRASS GOLD PL .00001 MIN OVER NICKEL PL .00005 MIN OVER COPPER PL .00005 MIN | BRASS GOLD PL .00003 MIN OVER NICKEL PL .00005 MIN OVER COPPER PL .00005 MIN | TEFLON |
| 131-3701-202 | BRASS GOLD PL .00005 MIN OVER COPPER PL .00005 MIN | BRASS GOLD PL .00005 MIN OVER COPPER PL .00005 MIN | TEFLON |
| 131-3701-204 | COPPER SILVER PL .00005 MIN OVER COPPER PL .00005 MIN | COPPER SILVER PL .00005 MIN OVER COPPER PL .00005 MIN | TEFLON |
| 131-3701-206 | BRASS NICKEL PL .0001 MIN OVER COPPER PL .00005 MIN | BRASS GOLD PL .00003 MIN OVER NICKEL PL .00005 MIN OVER COPPER PL .00005 MIN | TEFLON |



MOUNTING HOLE LAYOUT



NOTES:

1. SPECIFICATIONS:

IMPEDANCE: 50 OHMS
 FREQUENCY RANGE: 0-4 GHz
 VSWR: NOT APPLICABLE
 WORKING VOLTAGE: 335 VRMS MAX AT SEA LEVEL
 DIELECTRIC WITHSTANDING VOLTAGE: 1000 VRMS MIN AT SEA LEVEL
 INSULATION RESISTANCE: 1000 MEGOHM MIN
 CONTACT RESISTANCE:
 CENTER CONTACT - INITIAL 6 MILLIOHM MAX, AFTER ENVIRONMENTAL 8 MILLIOHM MAX
 OUTER CONDUCTOR - GOLD PLATED INITIAL 1 MILLIOHM MAX, AFTER ENVIRONMENTAL 1.5 MILLIOHM MAX
 NICKEL PLATED INITIAL 2.5 MILLIOHM MAX, AFTER ENVIRONMENTAL 3.5 MILLIOHM MAX
 BRAID TO BODY - NOT APPLICABLE
 CORONA LEVEL: NOT APPLICABLE
 INSERTION LOSS: NOT APPLICABLE
 RF LEAKAGE: NOT APPLICABLE
 RF HIGH POTENTIAL WITHSTANDING VOLTAGE: 600 VRMS AT 4 AND 7 MHZ

MECHANICAL:

ENGAGE/DISENGAGE FORCE: INITIAL 14 LBS MAX AFTER DURABILITY 14 LBS MAX
 ENGAGEMENT, 2 LBS MIN DISENGAGEMENT

MATING TORQUE: NOT APPLICABLE
 COUPLING PROOF TORQUE: NOT APPLICABLE
 COUPLING NUT RETENTION: NOT APPLICABLE
 CONTACT RETENTION: 4 LBS MIN AXIAL FORCE
 CABLE ACCEPTABILITY: NOT APPLICABLE
 CABLE HEX CRIMP SIZE: NOT APPLICABLE
 CABLE RETENTION: NOT APPLICABLE
 DURABILITY: 500 CYCLES MIN

ENVIRONMENTAL:

(MEETS OR EXCEEDS THE APPLICABLE PARAGRAPH OF MIL-C-39012)
 THERMAL SHOCK: MIL-STD-202, METHOD 107, CONDITION B
 OPERATING TEMPERATURE: -65 DEG C TO 165 DEG C
 CORROSION: MIL-STD-202, METHOD 101, CONDITION B
 SHOCK: MIL-STD-202, METHOD 213, CONDITION B
 VIBRATION: MIL-STD-202, METHOD 204, CONDITION B

| | | | |
|--|----------|------------|----------------------|
| DRAWING NO. C - 131-3701-201/210 | | | |
| 0 REVISIONS | | | |
| CHANGED: REVISED AND REDRAWN. WAS "D" SIZE, DATED 5-16-86. SHOCK - CONDITION B WAS C. VIBRATION - CONDITION B WAS D. | | | |
| 03 | 04-07-88 | EJ/RRR/RJB | 4-29-88 ECO 23303 |
| ADDED: P/N 131-3701-201/210 NO NICKEL UNDERPLATE CHANGED: RF HIGH POT 4 AND 7 MHZ WAS 5 MHZ | | | |
| 4 | 2-8-93 | R/H/R/B/A | 2-15-93 ECO 41581 |
| VERSION UPDATE | | | |
| 5 | 4-6-93 | R/H/R/B/A | 4-7-93 ECO 41687 |
| ADDED: P/N 131-3701-204 | | | |
| 5a | 7-27-94 | R/H/R/B/A | 8-4-04 ECN 42633 |
| VERSION UPDATE | | | |
| 5b | 7-13-95 | R/H/R/B/A | 7-21-95 ECN 43562 |
| VERSION UPDATE | | | |
| 5c | 7-23-96 | R/H/R/B/A | ECN 44120 |
| CHANGED: MATERIAL ITEMS 1 AND 2 P/N 131-3701-204 COPPER WAS BRASS | | | |
| ***** REVISION NUMBER FOLLOWED BY AN ALPHA ***** ***** CHARACTER INDICATES DRAWING CLARIFICATION ***** ***** CAUTION OR PART NUMBER ADDITION ONLY. ***** | | | |
| 5d | 3-29-00 | R/H/R/B/A | ECN 46442 |

CUSTOMER DRAWING

THIS DRAWING TO BE INTERPRETED PER ANSI Y 14.5M - 1982

"μSTATION"

COMPANY CONFIDENTIAL

| | | | | | |
|--------------------------------------|----|--------------------|-----------------------|--|-------------------------------------|
| TOLERANCE UNLESS OTHERWISE SPECIFIED | | DRAWN BY EJ | DATE 8-24-87 | JOHNSON Cinch Connectivity Solutions 299 Johnson Ave. Ste. 100 Waukegan, MN 56003 1-800-247-8256 | |
| DECIMALS | mm | CHECKED BY | DATE | TITLE JACK ASSEMBLY STRAIGHT PC MOUNT SMB | |
| .XX | | APPROVED BY RRF | DATE 4-8-88 | CODE NO. | DRAWING NO. C - 131-3701-201/210 |
| .XXX | | APPROVED BY RJB | DATE 4-25-88 | SCALE 10:1 | U/N INCH SHEET 2 OF 2 |
| MATL | | RELEASE DATE | (10-14-86) 4-29-88 | | |
| FINISH | | | | | |