

Fig. 1

- Male jumpers are available with or without insulator and have .022" diameter pins with .1", .2" or .3" center spacing.
- Female color coded shunts are offered in closed, and open insulators for longer pins.

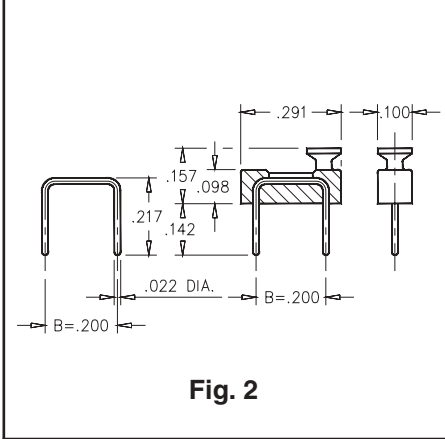


Fig. 2

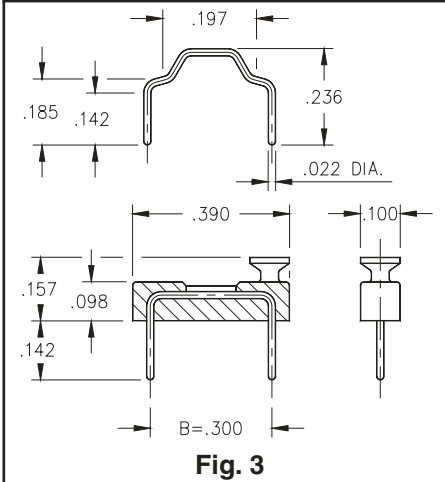


Fig. 3

Ordering Information

| Fig. 1 | Male Jumper .100" Spacing | | |
|--------|---------------------------|-------------------|-------------------|
| | Platings | | |
| | Color / Style | 10μ" Au | 200μ" Sn/Pb |
| | Black | 999-11-210-10-000 | 999-11-210-90-000 |
| | Red | 999-11-210-11-000 | 999-11-210-91-000 |
| | Not Insulated | 999-11-110-10-000 | 999-11-110-90-000 |

| Fig. 2 | Male Jumper .200" Spacing | | |
|--------|---------------------------|-------------------|-------------------|
| | Platings | | |
| | Color / Style | 10μ" Au | 200μ" Sn/Pb |
| | Black | 999-11-220-10-000 | 999-11-220-90-000 |
| | Red | 999-11-220-11-000 | 999-11-220-91-000 |
| | Not Insulated | 999-11-112-10-000 | 999-11-112-90-000 |

| Fig. 3 | Male Jumper .300" Spacing | | |
|--------|---------------------------|-------------------|-------------------|
| | Platings | | |
| | Color / Style | 10μ" Au | 200μ" Sn/Pb |
| | Black | 999-11-230-10-000 | 999-11-230-90-000 |
| | Red | 999-11-230-11-000 | 999-11-230-91-000 |
| | Not Insulated | 999-11-113-10-000 | 999-11-113-90-000 |

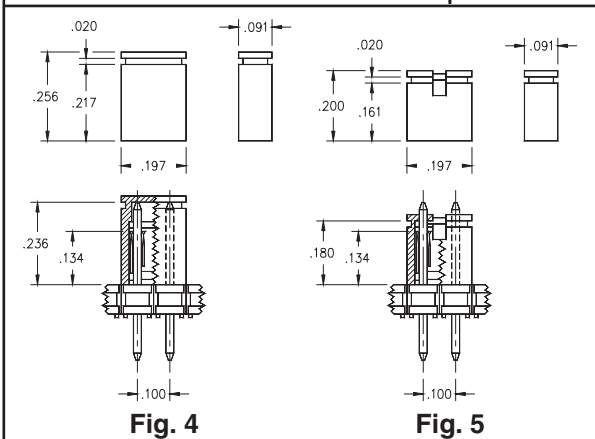


Fig. 4

Fig. 5

SHUNTS
For .025" Square Headers

| Color | Closed Insulator | Open Insulator |
|-------|-------------------|-------------------|
| Black | 999-XX-210-00-000 | 999-XX-310-00-000 |
| Red | 999-XX-210-02-000 | 999-XX-310-02-000 |
| Blue | 999-XX-210-06-000 | 999-XX-310-06-000 |

Specify Plating Code XX=
19 = 10μ" Selective Gold