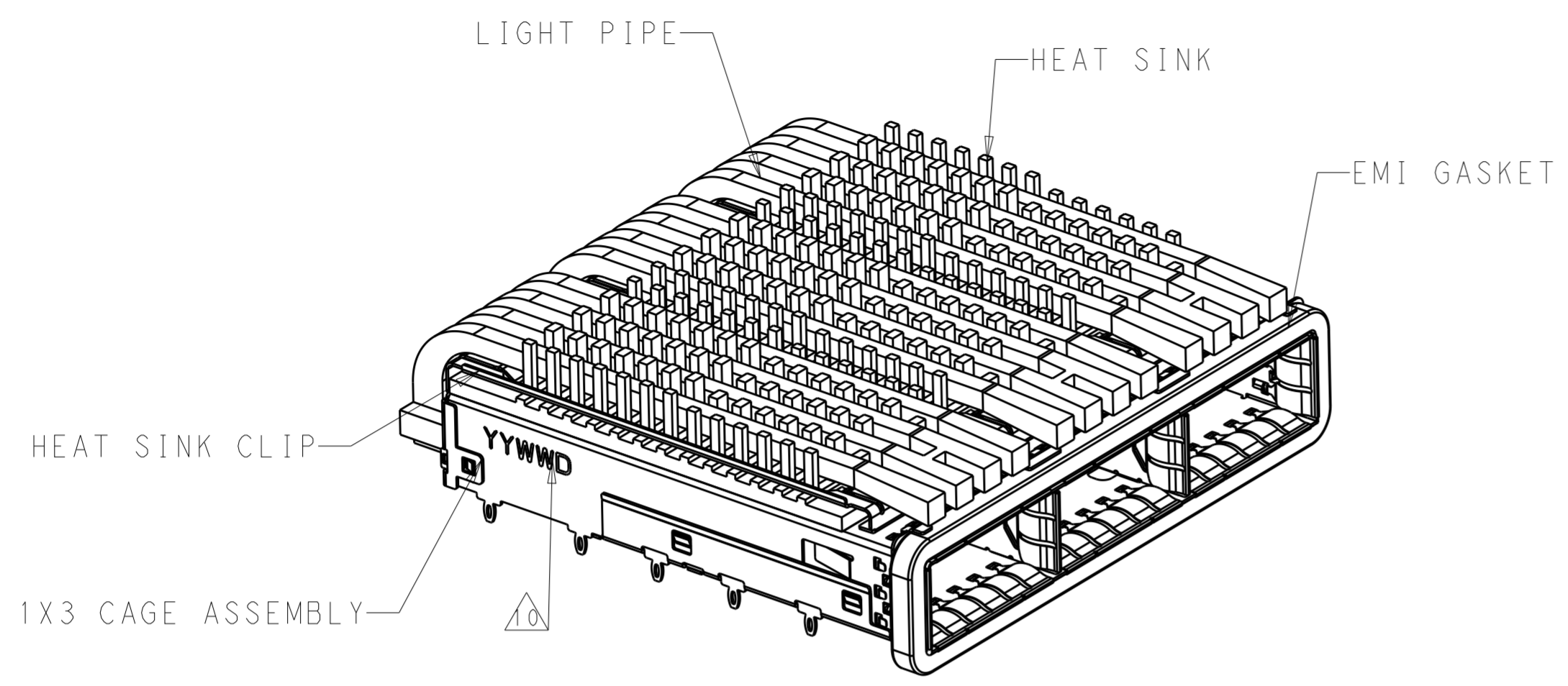
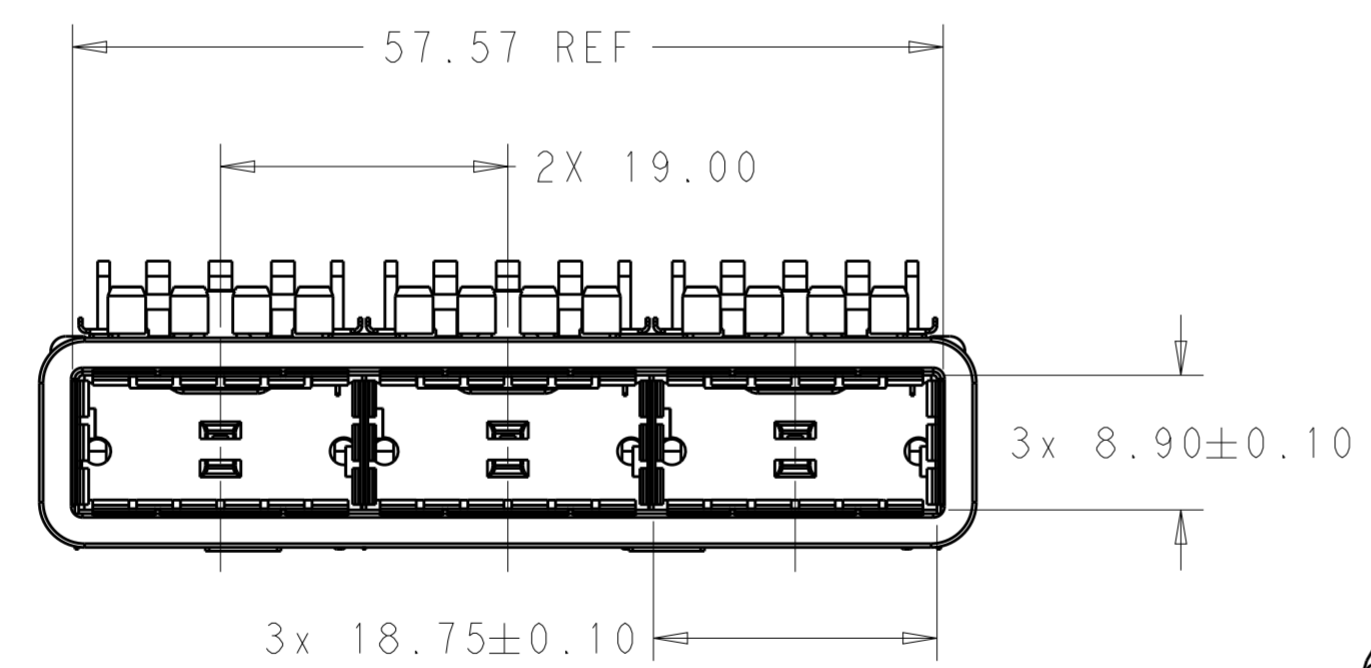


THIS DRAWING IS UNPUBLISHED. RELEASED FOR PUBLICATION 20
 © COPYRIGHT 20 BY - ALL RIGHTS RESERVED.

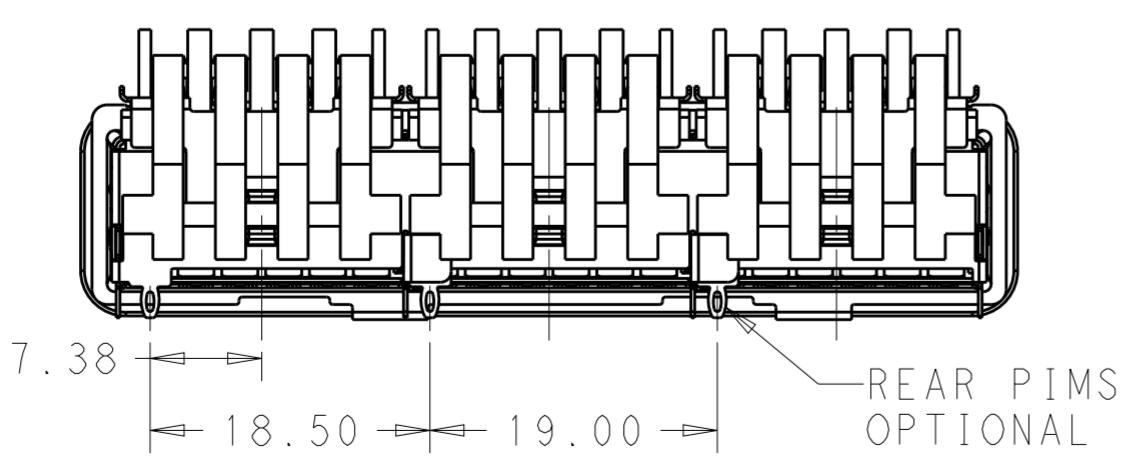
LOC	DIST	REVISIONS					
GP	00	P	LTR	DESCRIPTION	DATE	DWN	APVD
		1		PRELIMINARY	19MAY2014	BL	JY
		2		REVISE	26MAY2014	BL	JY
		3		ADD DIMENSION 9.66	30OCT2015	JY	SH



2170774-1 AS SHOWN
SCALE 2:1



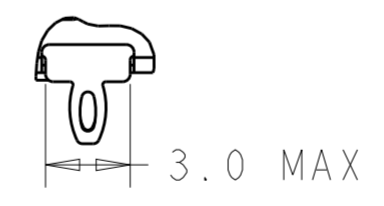
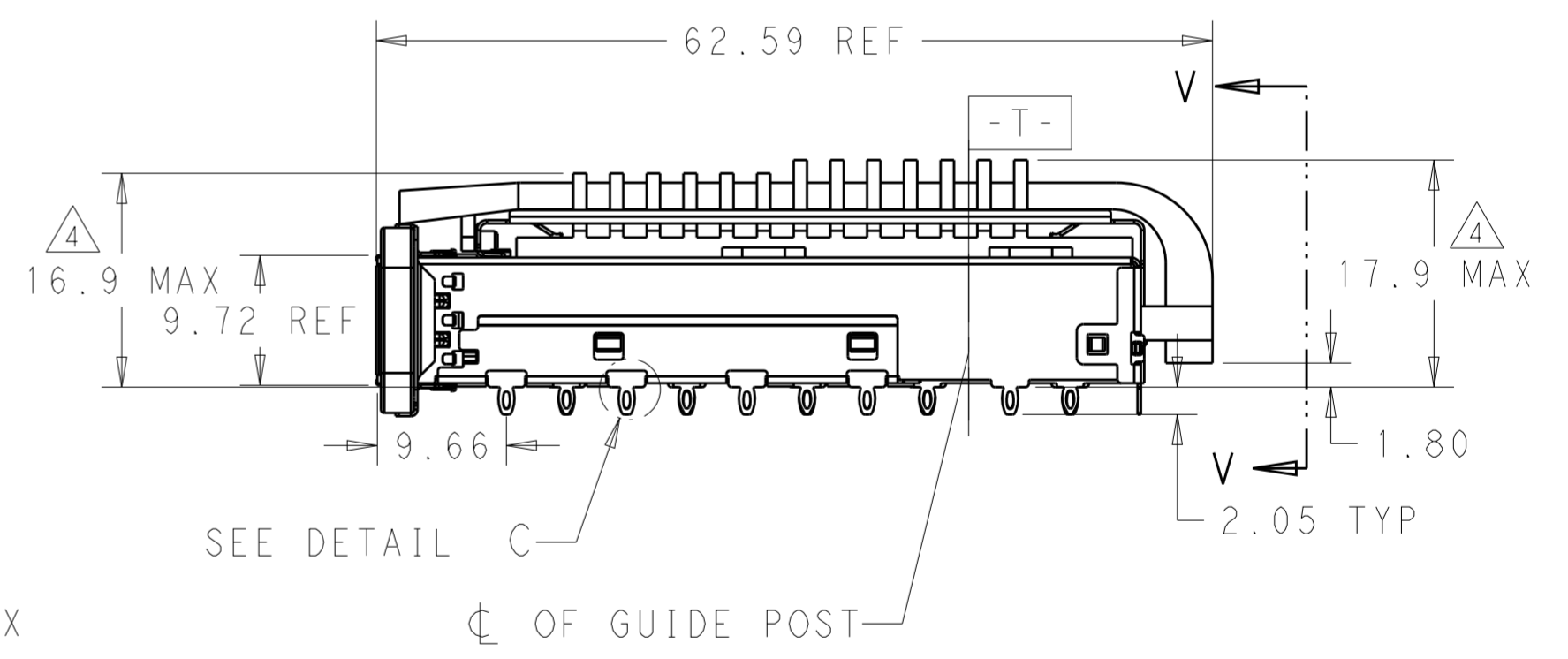
SCALE 2:1



VIEW V-V
SCALE 2:1

PRELIMINARY PART- NOT RELEASED FOR PRODUCTION

- COMPONENTS
 CAGE ASSEMBLY: NICKEL-SILVER ALLOY
 HEAT SINK: ALUMINUM/BLACK ANODIZE
 HEAT SINK CLIP: STAINLESS STEEL
 EMI SPRING: COPPER ALLOY/NICKEL PLATE
 LIGHT PIPE: CLEAR POLYCARBONATE
 EMI GASKET: CONDUCTIVE RUBBER
- REFERENCE APPLICATION SPECIFICATION 114-*****
 FOR RECOMMENDED DRILL HOLE DIAMETER AND
 PLATING THICKNESS
- DATUM AND BASIC DIMENSION ESTABLISHED BY CUSTOMER
- DIMENSION APPLIES WITH MODULE INSERTED IN CAGE
- HEAT SINKS, HEAT SINK CLIPS AND LIGHT PIPES
 ARE SHIPPED ASSEMBLED ON CAGE
- MINIMUM PC BOARD THICKNESS:
 SINGLE SIDED: 1.57 MIN
 DOUBLE SIDED: 3.00 MIN
- DATUM **-A-** IS TOP SURFACE OF THE HOST BOARD.
- THESE HOLES ARE OPTIONAL WHEN THE REAR PINS ARE REMOVED.
- MATES WITH QSFP28 MSA COMPATIBLE TRANSCEIVER.
- DATE CODE (YYWWD) MARKED APPROXIMATELY AS SHOWN.



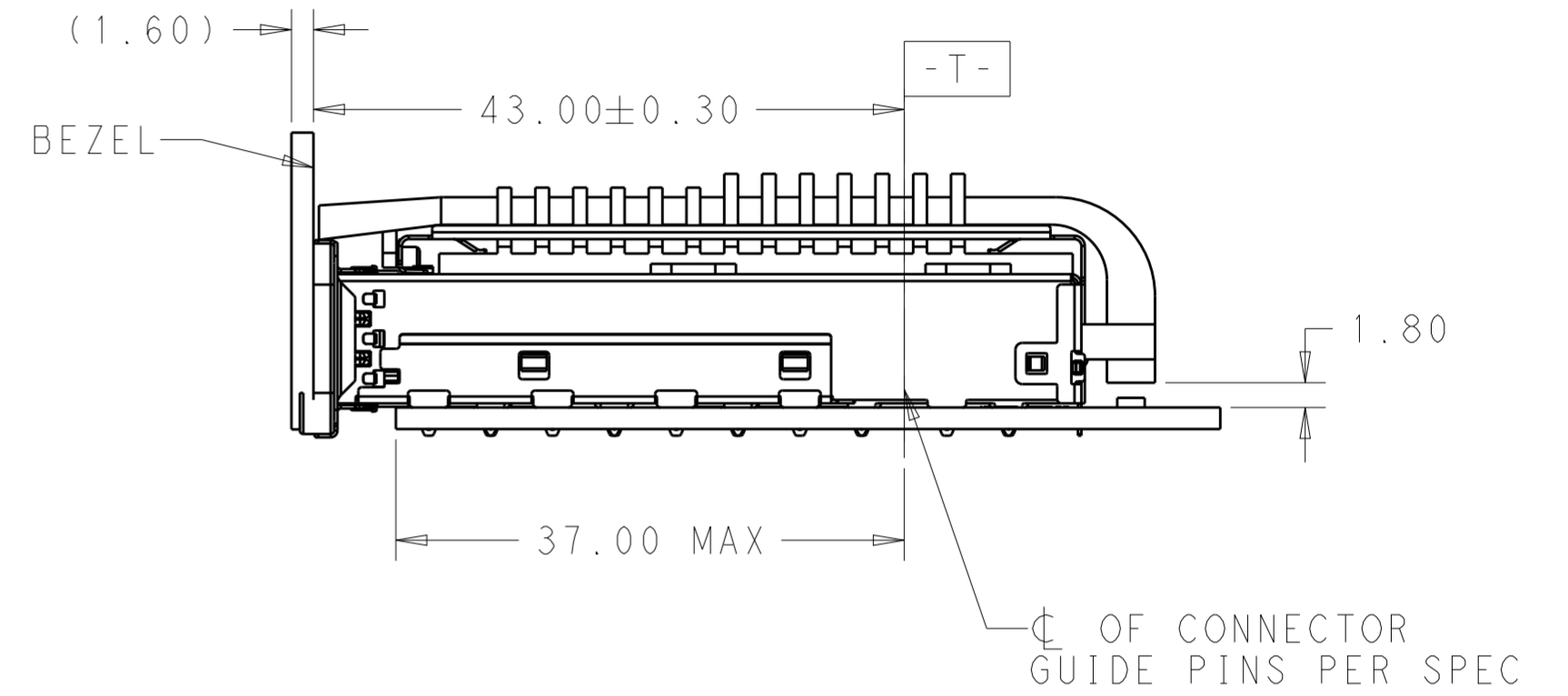
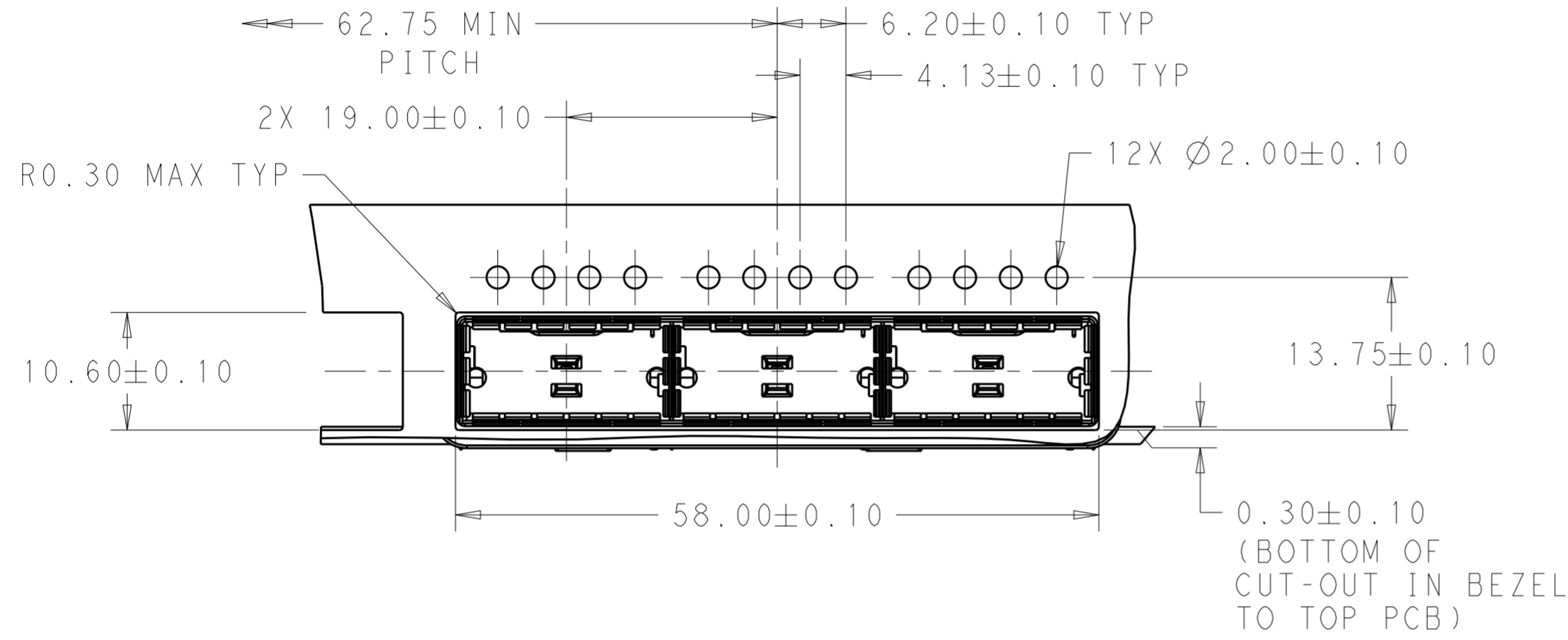
DETAIL C
SCALE 4:1

2170774-1
PART NUMBER

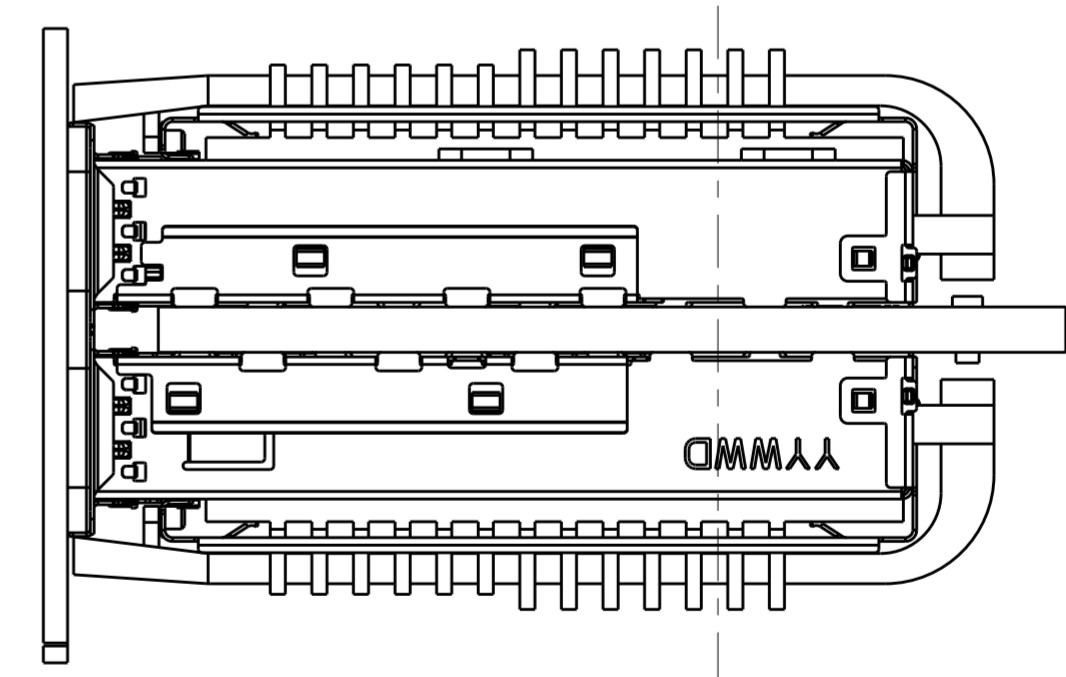
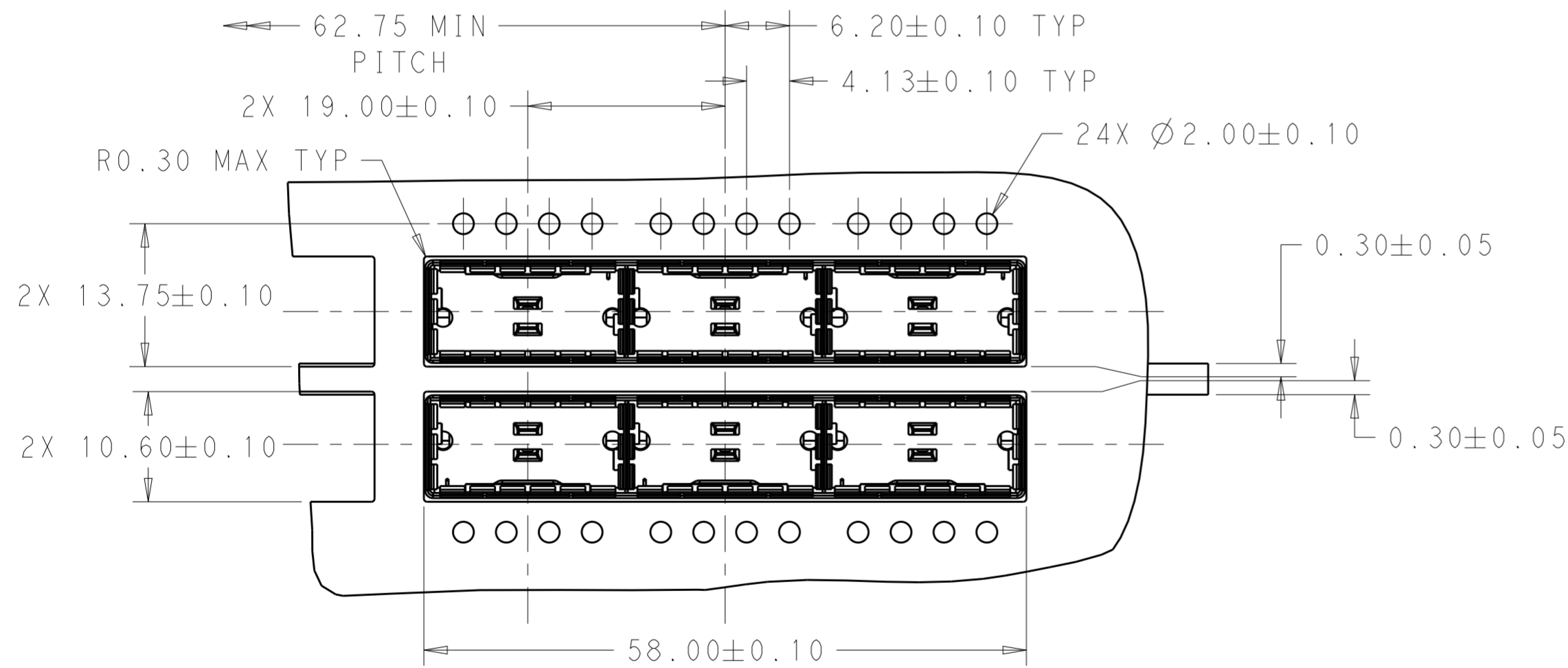
THIS DRAWING IS A CONTROLLED DOCUMENT.		DWN	19MAY2014	STE TE Connectivity	
DIMENSIONS: mm		CHK	19MAY2014		
TOLERANCES UNLESS OTHERWISE SPECIFIED:		APVD	JASON YANG		
0 PLC	±	NAME		PRELIMINARY	
1 PLC	±0.25	RECEPTACLE CAGE ASSEMBLY 1x3			
2 PLC	±0.2	WITH HEAT SINKS AND LIGHT PIPES,			
3 PLC	±	THRU BEZEL, 1X3, QSFP28			
4 PLC	±	SIZE	CAGE CODE	DRAWING NO	RESTRICTED TO
ANGLES	±	A200779	C-2170774		
FINISH	±	WEIGHT			
SEE NOTES	SEE NOTES	Customer Drawing	SCALE 1:1	SHEET 1 OF 5	REV 3

THIS DRAWING IS UNPUBLISHED. RELEASED FOR PUBLICATION 20
 © COPYRIGHT 20 BY - ALL RIGHTS RESERVED.

LOC	DIST	REVISIONS					
GP	00	P	LTR	DESCRIPTION	DATE	DWN	APVD
		-		SEE SHEET 1			



SINGLE SIDE MOUNTING
SCALE 2:1



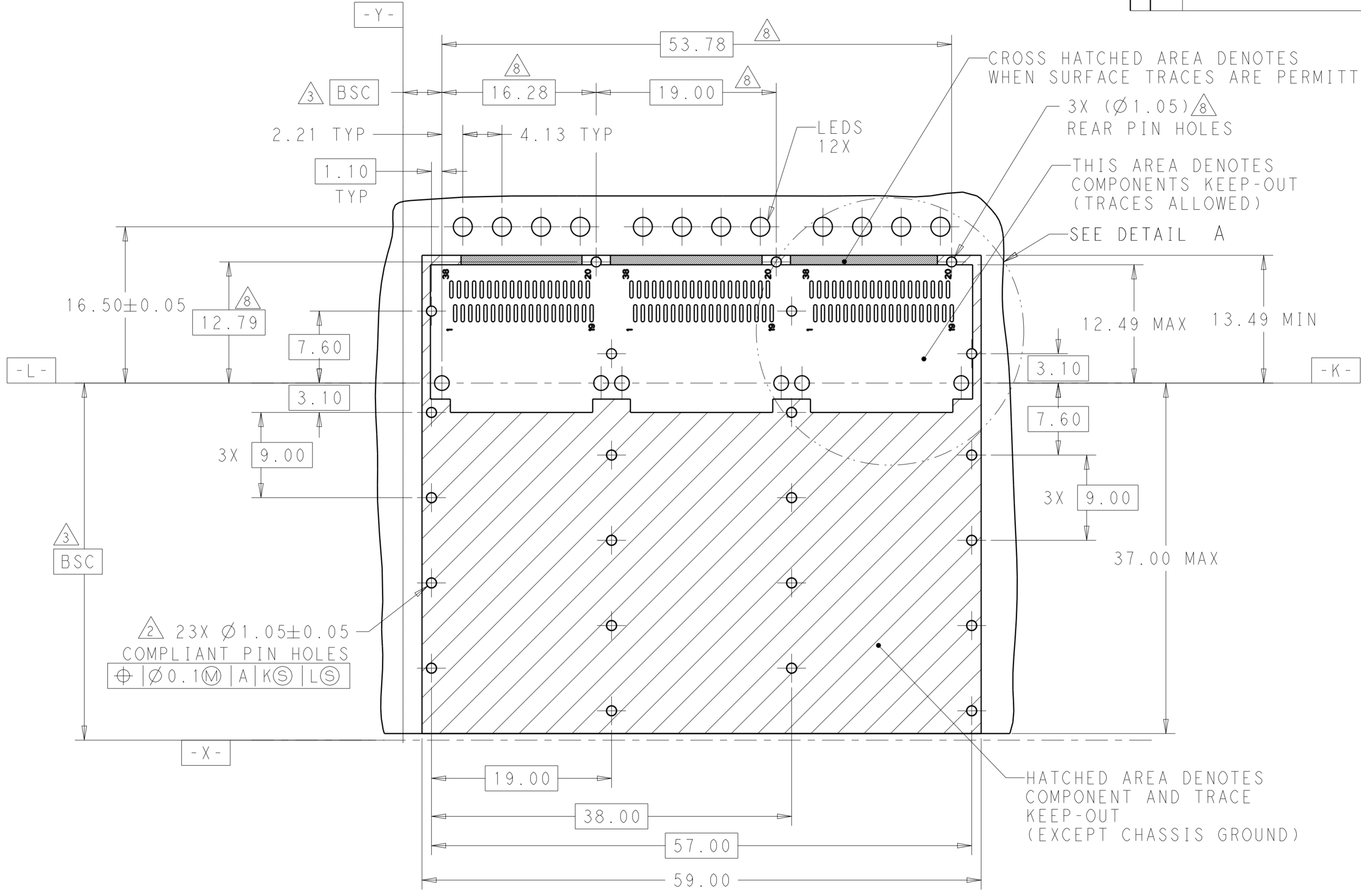
BELLY TO BELLY MOUNTING
SCALE 2:1

PRELIMINARY PART- NOT RELEASED FOR PRODUCTION

THIS DRAWING IS A CONTROLLED DOCUMENT.		DWN BING LIU 19MAY2014	STE TE Connectivity	
		CHK JASON YANG 19MAY2014		
DIMENSIONS:	TOLERANCES UNLESS OTHERWISE SPECIFIED:	APVD -	NAME RECEPTACLE CAGE ASSEMBLY 1x3 WITH HEAT SINKS AND LIGHT PIPES, THRU BEZEL, 1X3, QSFP28	
mm	0 PLC ± 1 PLC ±0.25 2 PLC ±0.2 3 PLC ± 4 PLC ± ANGLES ± FINISH ±	PRODUCT SPEC -	SIZE CAGE CODE DRAWING NO RESTRICTED TO	
MATERIAL	SEE NOTES	APPLICATION SPEC -	A200779 C-2170774	
		WEIGHT -	SCALE 1:1 SHEET 2 OF 5 REV 3	
		Customer Drawing		

THIS DRAWING IS UNPUBLISHED.
 RELEASED FOR PUBLICATION 20
 © COPYRIGHT 20 BY - ALL RIGHTS RESERVED.

LOC	DIST	REVISIONS					
GP	00	P	LTR	DESCRIPTION	DATE	DWN	APVD
		-		SEE SHEET 1		-	-

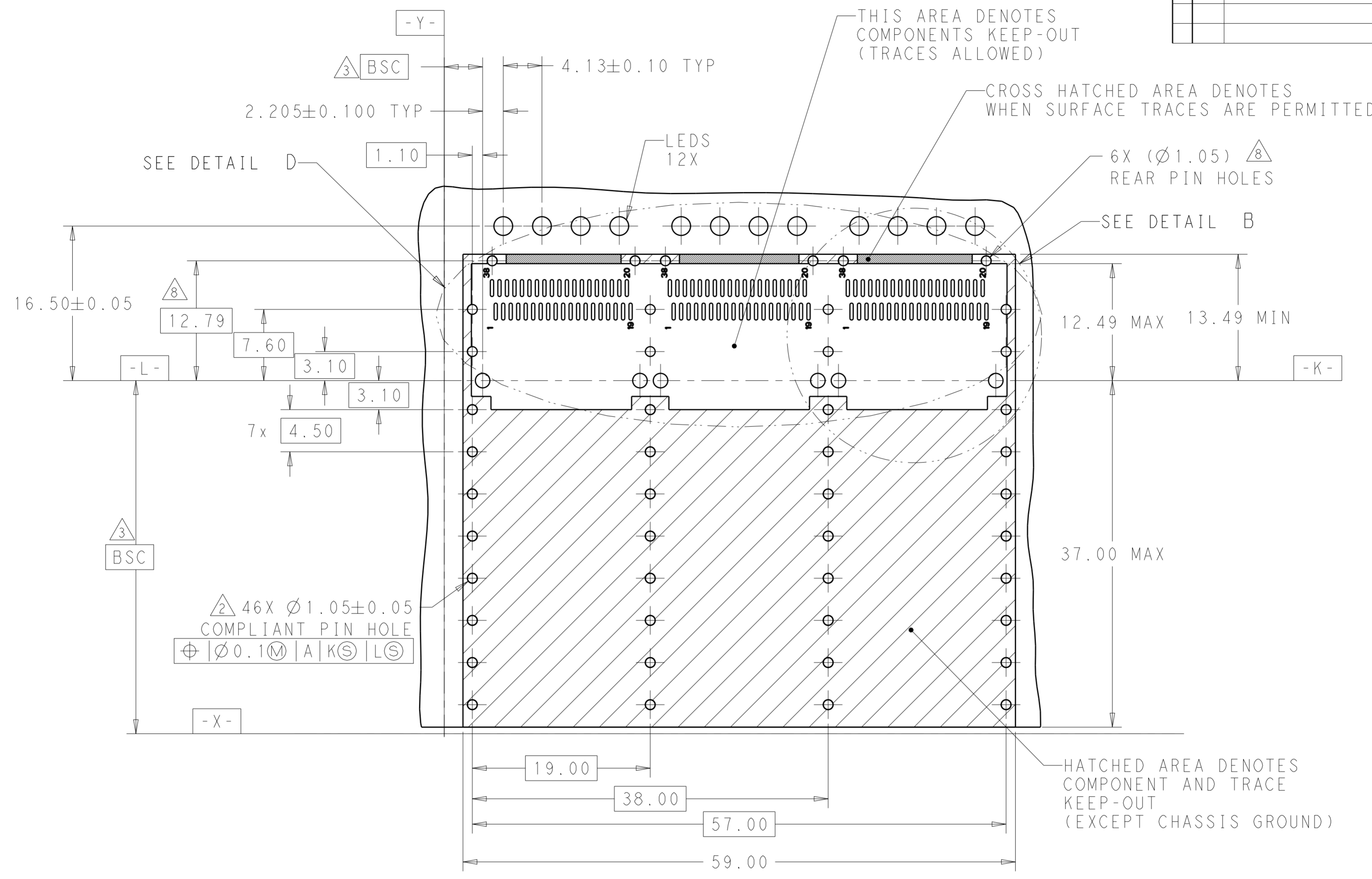


RECOMMENDED PCB LAYOUT
 SINGLE TYPE
 PCB TOLERANCE: ±0.05
 SCALE 3:1

THIS DRAWING IS A CONTROLLED DOCUMENT.		DWN BING LIU 19MAY2014	TE Connectivity	
		CHK JASON YANG 19MAY2014		
DIMENSIONS: mm		TOLERANCES UNLESS OTHERWISE SPECIFIED: 0 PLC ± 1 PLC ±0.25 2 PLC ±0.2 3 PLC ± 4 PLC ± ANGLES ± FINISH ±		NAME RECEPTACLE CAGE ASSEMBLY 1x3 WITH HEAT SINKS AND LIGHT PIPES, THRU BEZEL, 1X3, QSFP28
MATERIAL SEE NOTES		APVD PRODUCT SPEC APPLICATION SPEC WEIGHT		SIZE A200779
SEE NOTES		SEE NOTES		DRAWING NO C-2170774
		Customer Drawing		RESTRICTED TO -
		SCALE 1:1		SHEET 3 OF 5 REV 3

THIS DRAWING IS UNPUBLISHED. RELEASED FOR PUBLICATION 20
 © COPYRIGHT 20 BY - ALL RIGHTS RESERVED.

LOC	DIST	REVISIONS					
GP	00	P	LTR	DESCRIPTION	DATE	DWN	APVD
		-		SEE SHEET 1			



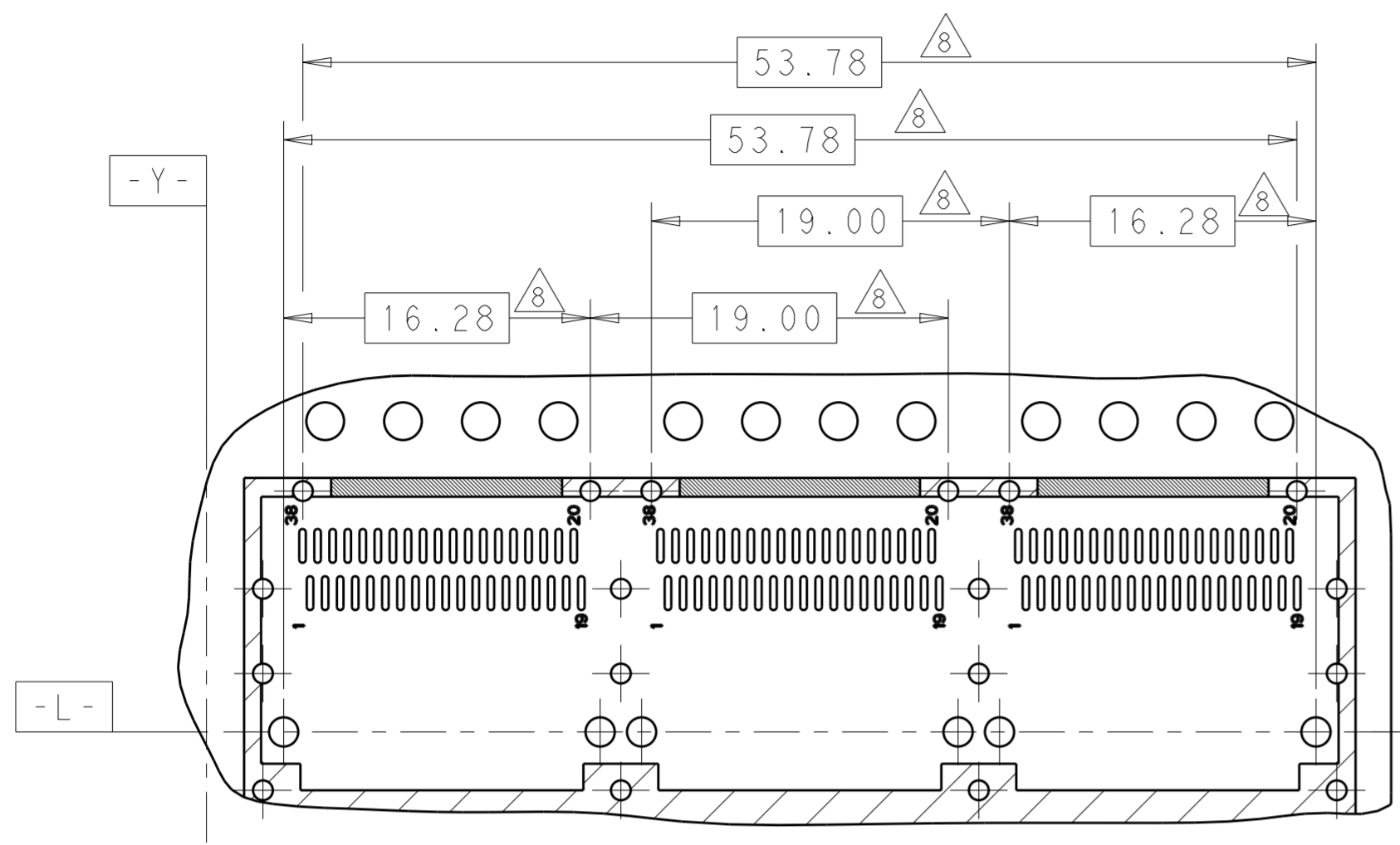
RECOMMENDED PCB LAYOUT
 BELLY TO BELLY TYPE
 PCB TOLERANCE: ±0.05
 SCALE 3:1

PRELIMINARY PART- NOT RELEASED FOR PRODUCTION

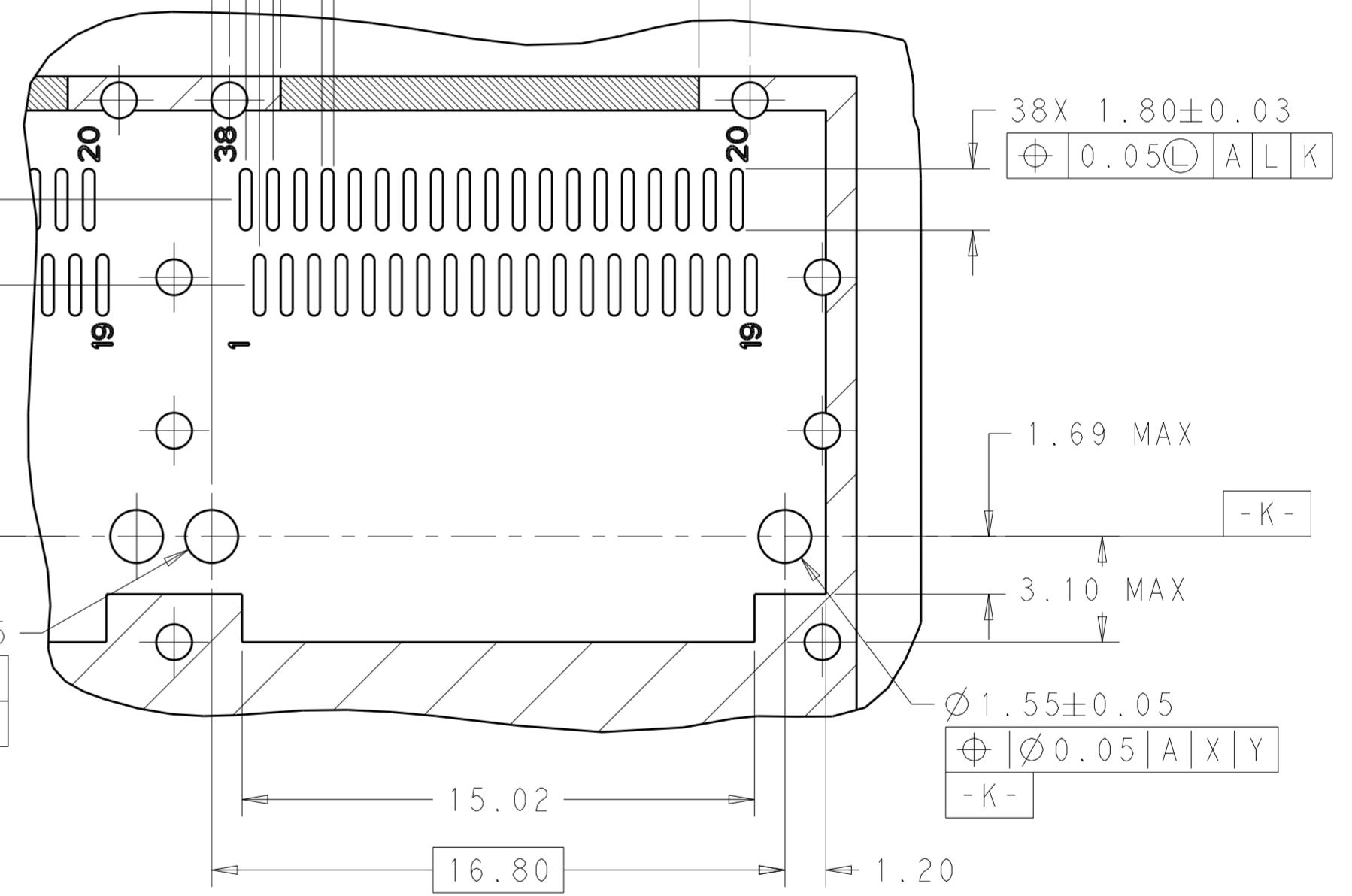
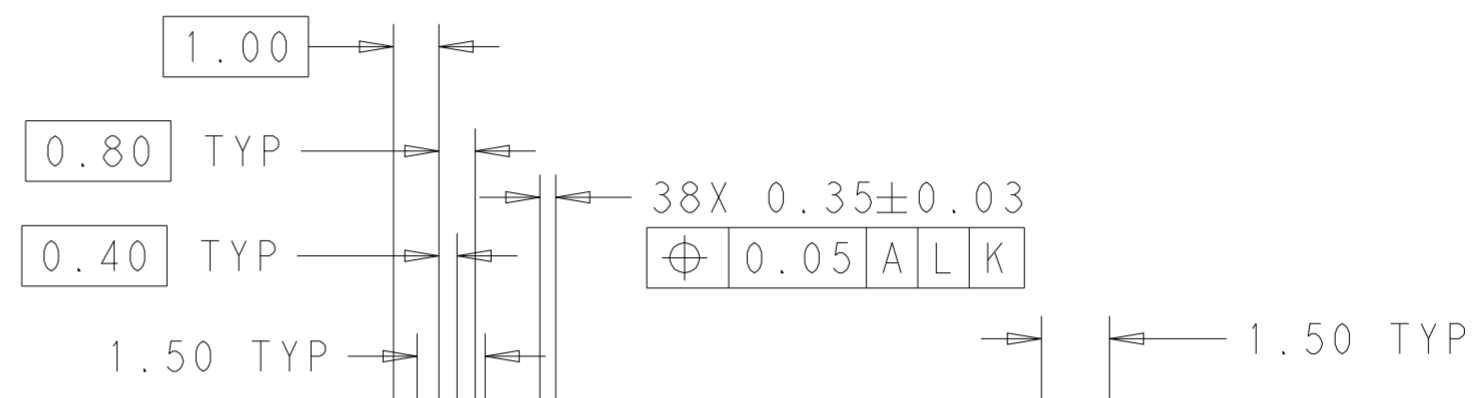
THIS DRAWING IS A CONTROLLED DOCUMENT.		DWN BING LIU 19MAY2014	STE TE Connectivity															
		CHK JASON YANG 19MAY2014																
DIMENSIONS: mm		TOLERANCES UNLESS OTHERWISE SPECIFIED:		NAME RECEPTACLE CAGE ASSEMBLY 1x3 WITH HEAT SINKS AND LIGHT PIPES, THRU BEZEL, 1X3, QSFP28														
<table border="1"> <tr><td>0 PLC</td><td>±</td></tr> <tr><td>1 PLC</td><td>±0.25</td></tr> <tr><td>2 PLC</td><td>±0.2</td></tr> <tr><td>3 PLC</td><td>±</td></tr> <tr><td>4 PLC</td><td>±</td></tr> <tr><td>ANGLES</td><td>±</td></tr> <tr><td>FINISH</td><td>±</td></tr> </table>		0 PLC	±	1 PLC	±0.25	2 PLC	±0.2	3 PLC	±	4 PLC	±	ANGLES	±	FINISH	±	APVD		SIZE A200779
0 PLC	±																	
1 PLC	±0.25																	
2 PLC	±0.2																	
3 PLC	±																	
4 PLC	±																	
ANGLES	±																	
FINISH	±																	
MATERIAL		PRODUCT SPEC		CAGE CODE C-2170774														
SEE NOTES		APPLICATION SPEC		DRAWING NO C-2170774														
		WEIGHT		RESTRICTED TO														
		Customer Drawing		SCALE 1:1 SHEET 4 OF 5 REV 3														

THIS DRAWING IS UNPUBLISHED. RELEASED FOR PUBLICATION 20
 © COPYRIGHT 20 BY - ALL RIGHTS RESERVED.

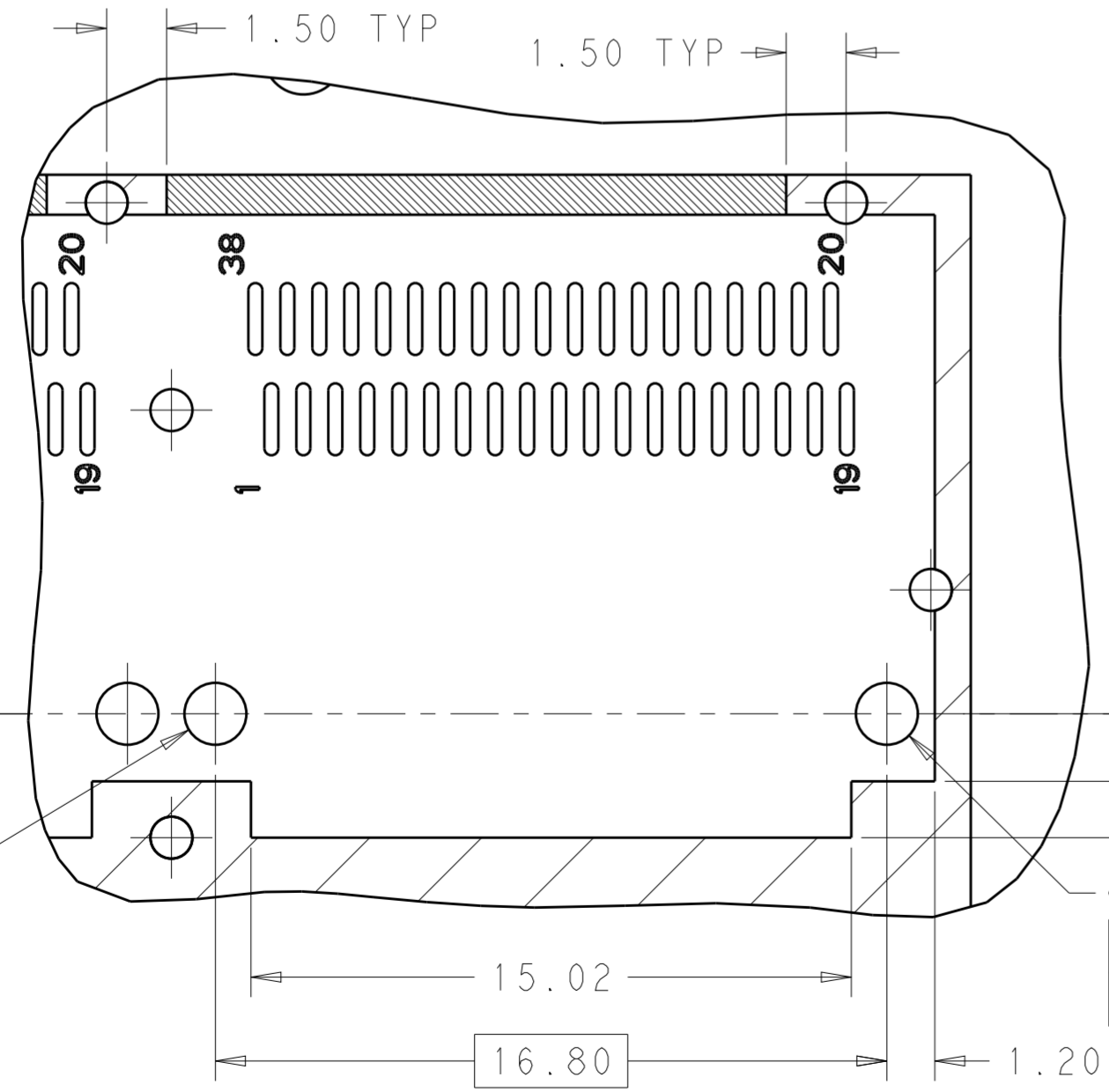
LOC	DIST	REVISIONS					
GP	00	P	LTR	DESCRIPTION	DATE	DWN	APVD
		-		SEE SHEET 1			



DETAIL D
SCALE 3:1



DETAIL B
SCALE 6:1



DETAIL A
SCALE 6:1

THIS DRAWING IS A CONTROLLED DOCUMENT.		DWN BING LIU 19MAY2014	STE TE Connectivity
		CHK JASON YANG 19MAY2014	
DIMENSIONS:	TOLERANCES UNLESS OTHERWISE SPECIFIED:	APVD -	NAME RECEPTACLE CAGE ASSEMBLY 1x3 WITH HEAT SINKS AND LIGHT PIPES, THRU BEZEL, 1X3, QSFP28
mm	0 PLC ± 1 PLC ±0.25 2 PLC ±0.2 3 PLC ± 4 PLC ±	PRODUCT SPEC -	SIZE A200779
MATERIAL	ANGLES ± FINISH	APPLICATION SPEC -	CAGE CODE C-2170774
SEE NOTES	SEE NOTES	WEIGHT -	DRAWING NO. -
		Customer Drawing	RESTRICTED TO -
		SCALE 1:1	SHEET 5 OF 5
			REV 3

PRELIMINARY PART- NOT RELEASED FOR PRODUCTION