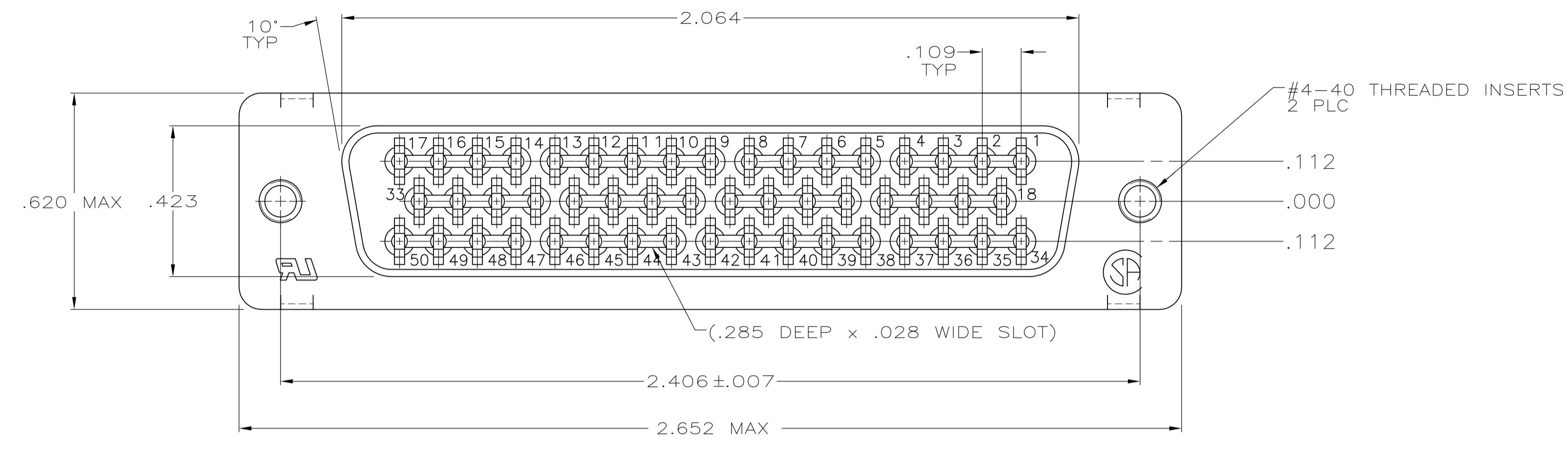
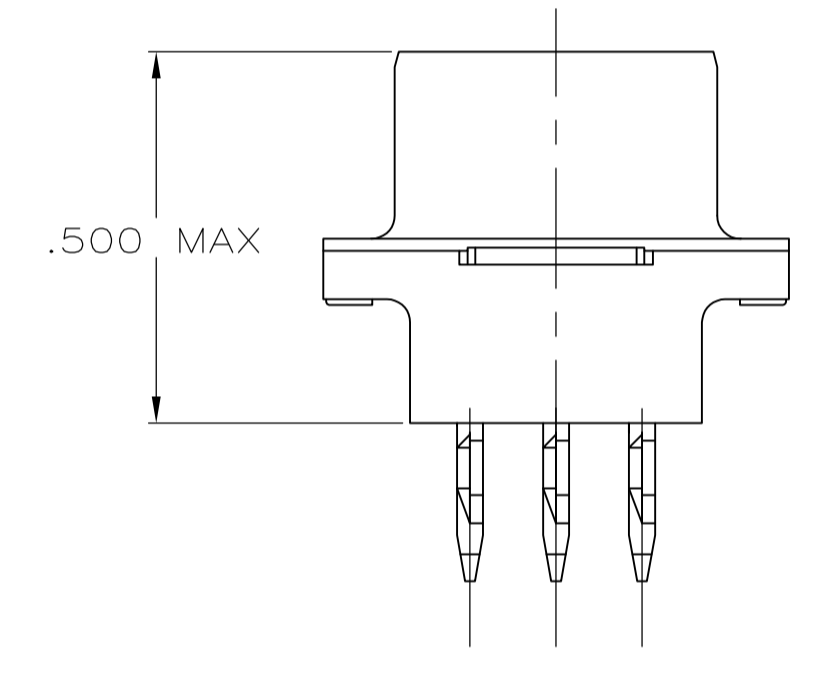
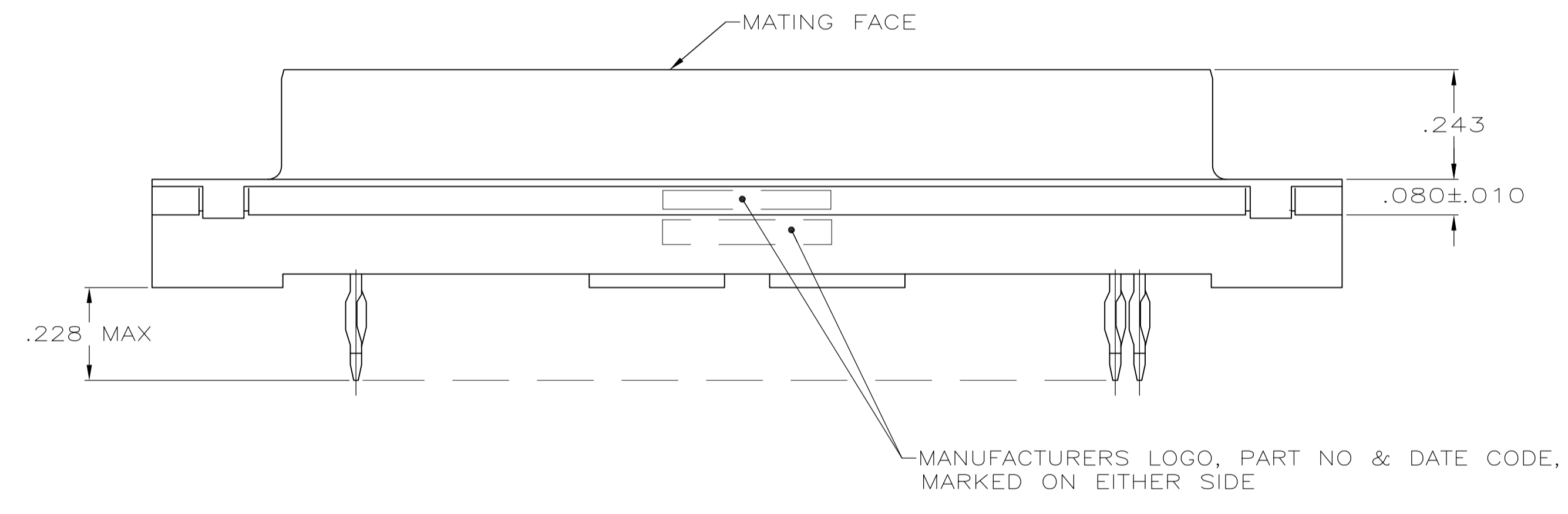


LOC		DIST		REVISIONS			
P	LTR	DESCRIPTION	DATE	DN	APVD		
C		REVISED PER ECO-12-000090	27JAN2012	CJV	SLB		



- 1 FOR USE WITH .062 MINIMUM THICK PRINTED CIRCUIT BOARD. REFER TO APPLICATION SPECIFICATION FOR PRINTED CIRCUIT BOARD LAYOUT DIMENSIONS AND FINISH RECOMMENDATIONS.
- 2 SHELL: .000200 MIN TIN OVER .000100 MIN COPPER.
- 3 CONTACTS:
.000030 MINIMUM GOLD IN MATING AREA. .000100 MINIMUM TIN ON COMPLIANT PIN. ALL OVER .000050 MINIMUM NICKEL.
OR
GOLD FLASH OVER PALLADIUM NICKEL. .000030 MINIMUM TOTAL IN MATING AREA. .000100 MINIMUM TIN ON COMPLIANT PIN. ALL OVER .000050 MINIMUM NICKEL.
- 4 HOUSING: FLAME RETARDANT, UL 94V-0 RATED, GLASS FILLED, NYLON OR POLYESTER, COLOR: BLACK.
- 5 SHELL: CARBON STEEL.
- 6 CONTACTS: COPPER ALLOY.
- 7 INSERTS: BRASS.



5748485-2
PART NO

**COPYRIGHT 2005
TYCO ELECTRONICS CORP
ALL RIGHTS RESERVED**

THIS DRAWING IS A CONTROLLED DOCUMENT.		DIN J. ALCORTA - 04-05-05	TE Connectivity	
DIMENSIONS: INCHES		CHK S. BOLASH - 04-05-05	APVD M. WALMSLEY - 04-05-05	
TOLERANCES UNLESS OTHERWISE SPECIFIED:		NAME RCPT ASSY, SIZE 5, 50 POSN, METAL SHELL W/ #4-40 INSERTS & ACTION PIN CONT, MDM PROFILE, AMPLIMITE HD-20		
0 PLC ± -	1 PLC ± -	PRODUCT SPEC 108-40014	SIZE A1	RESTRICTED TO
2 PLC ± -	3 PLC ± .005	APPLICATION SPEC 114-40026	WEIGHT -	SCALE 4:1
4 PLC ± -	ANGLES ± .2°	FINISH	CUSTOMER DRAWING	SHEET 1 OF 1
MATERIAL		DRAWING NO 000779		REV C
FINISH		C=5748485		