

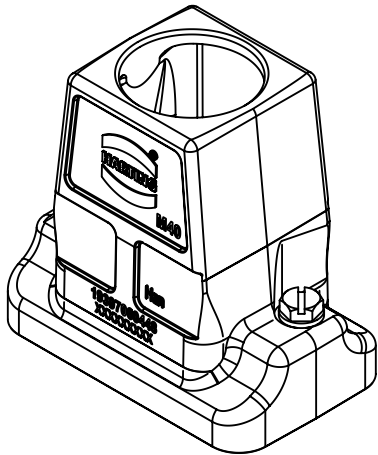
1 2 3 4 5 6

A

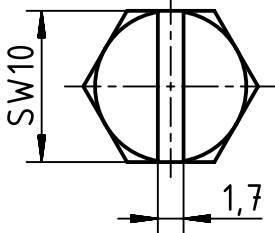
B

C

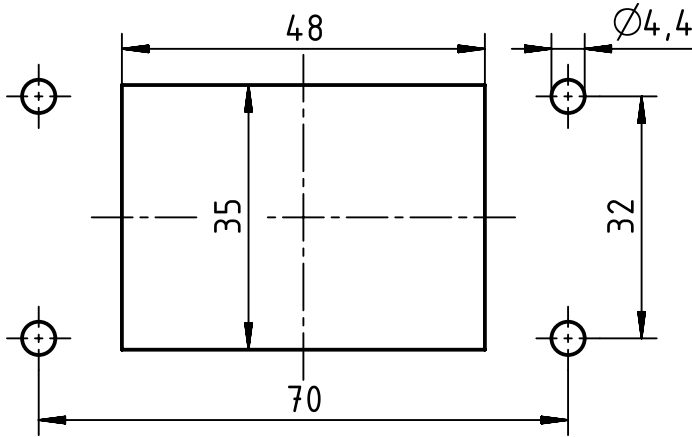
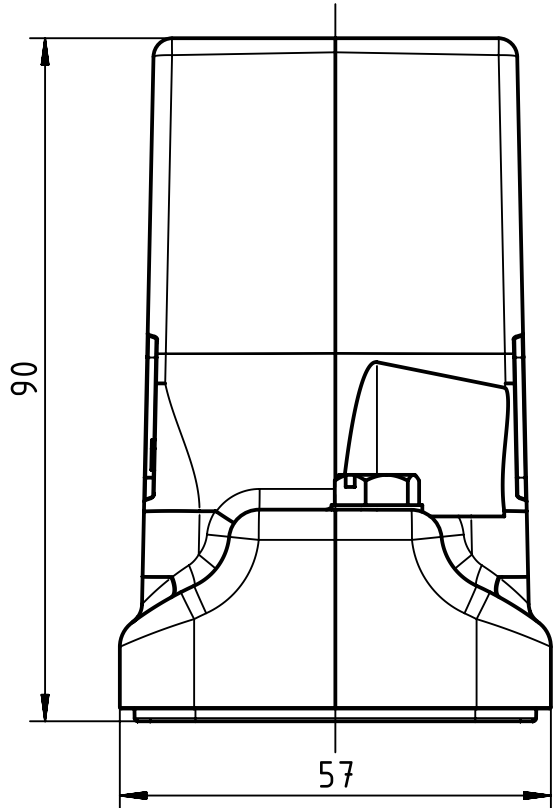
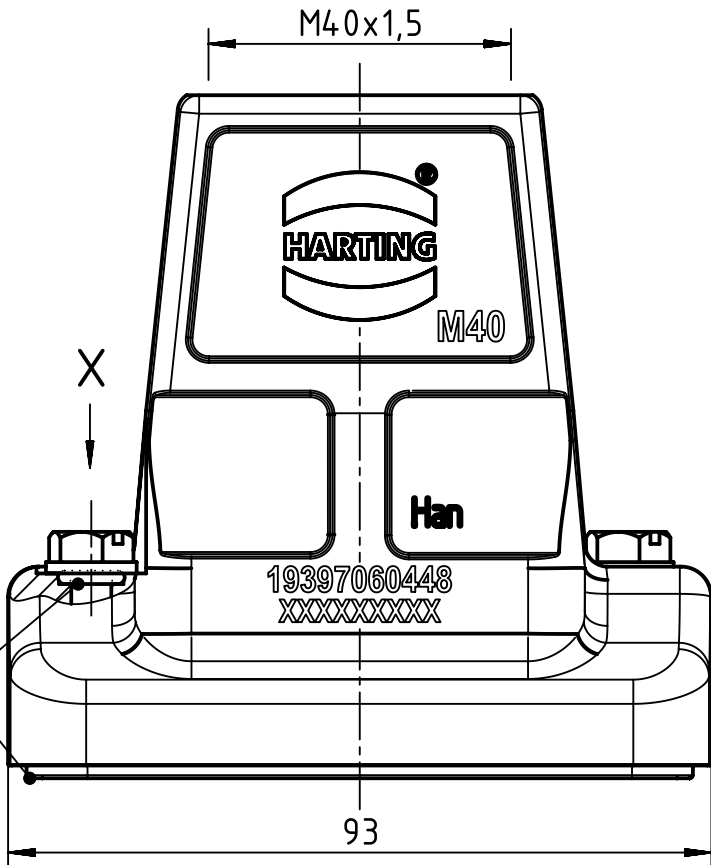
D



X (2:1)



Panel cut out



	All Dimensions in mm Original Size DIN A4		Scale 1:1	Free size tol.		Ref.	
	All rights reserved Department EL PD - CN		Created by LONGL	Inspected by WENE	Standardisation SCHMIDTM	Date 2017-03-20	State Final Release
HARTING (Zhuhai) Manufacturing Co., Ltd. 519085 Zhuhai, China			Title Han 6HP Direct/M-HTE-M40			Doc-Key / ECM-Nr. 100663697/UGD/005/C 500000116980	
			Type TB	Number 19 39 706 0448		Rev. C	Page 1/1