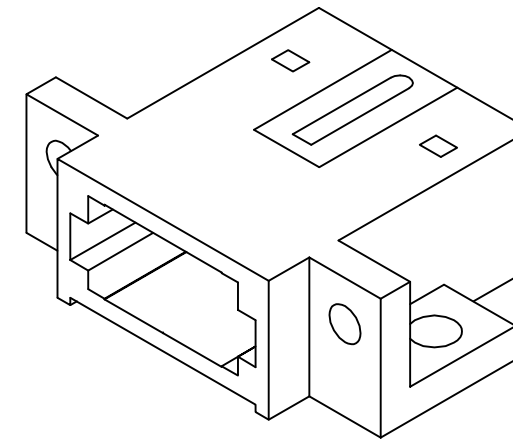
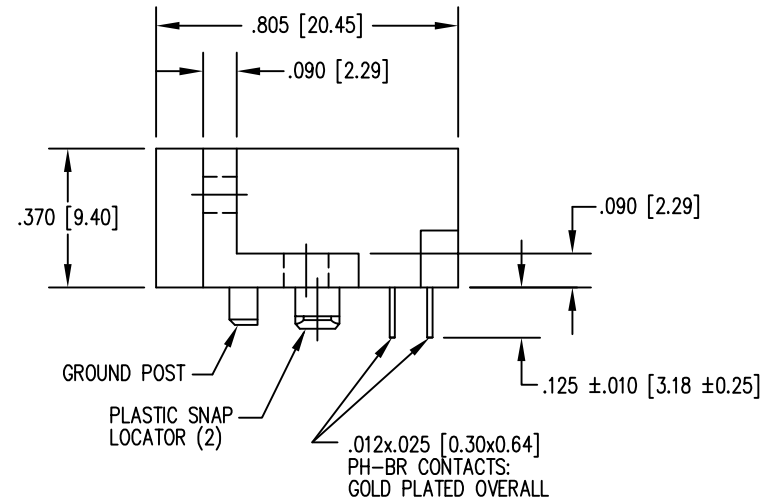
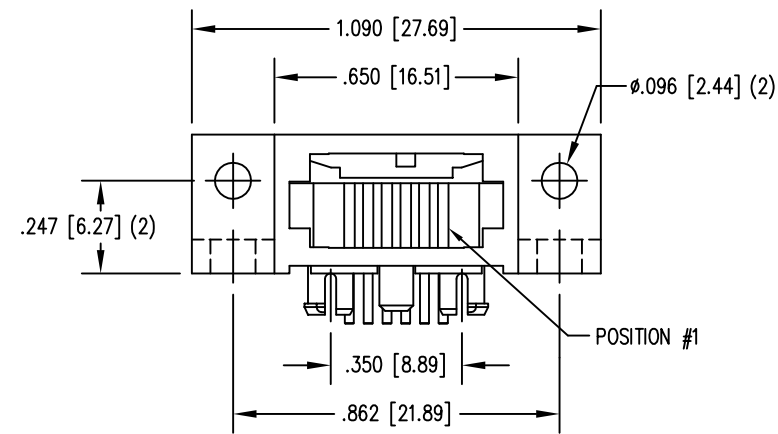
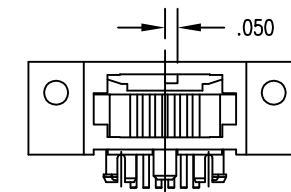


DATE	REV	ECN	APP'D. BY
-	A4	5970	-
1-20-06	A5	7451	JM
4-11-06	A6	7579	TRM
1-13-15	A7	10182	TRM

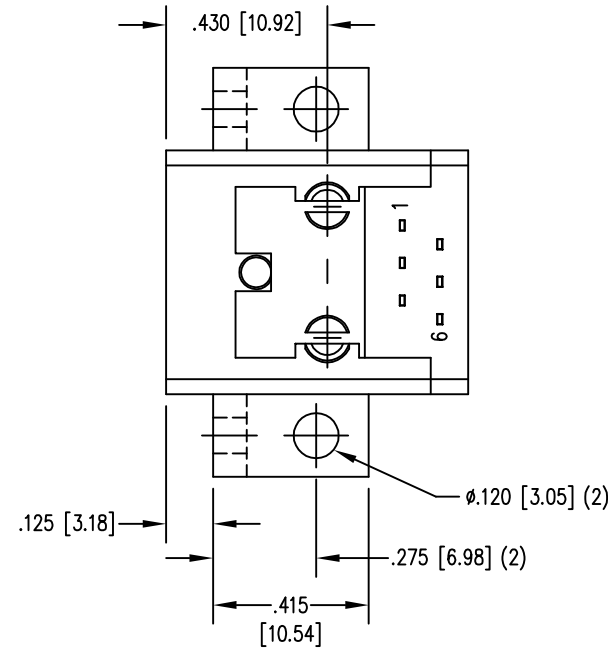
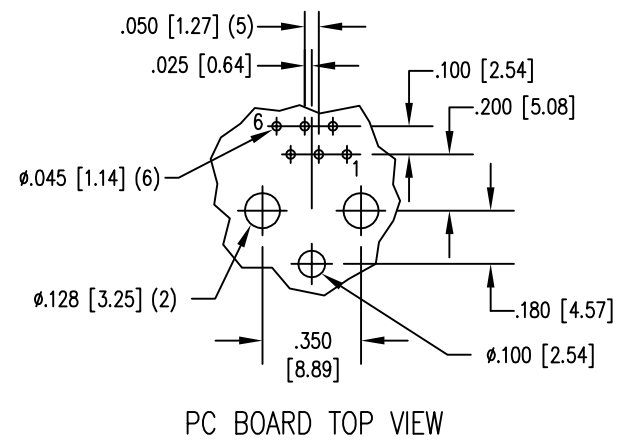


NOTES:

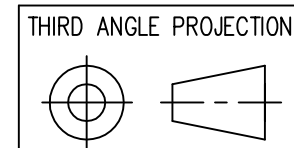
- CONNECTOR MATERIALS:
HOUSING: THERMOPLASTIC UL94 V-0
SHIELD: DIE CAST ALLOY
CONTACTS: COPPER ALLOY
SHIELD PLATING: TIN
CONTACT PLATING: SELECTIVE GOLD IN CONTACT AREA
SEE CHART FOR PART NUMBER
- FOR PRODUCT SPECIFICATIONS SEE PRO26-01.
- TOLERANCES ARE ±.006 [0.15] UNLESS OTHERWISE NOTED .



DIMENSIONS FOR KEY-5



50 MICRO-INCHES [1.27um]	SS-610606-LF-P-5-A58
30 MICRO-INCHES [0.76um]	SS-610606-LF-P-5-4/6
CONTACT PLATING IN MATING AREA	PART NUMBER



stewart
CONNECTOR
a bel group

11118 Susquehanna Trail South
Glen Rock, PA 17327-9199
(717) 235-7512
<http://www.stewartconnector.com>

DO NOT SCALE DRAWING DRAWING IS SUBJECT TO CHANGE WITHOUT NOTICE	TITLE: 6 CONTACT COMPU-SHIELD JACK #4-40 TAP ON Ø.096 HOLES AND #6-32 TAP ON Ø.120 HOLES	
DIMENSIONS: INCHES [METRIC]	THIS DRAWING AND THE SUBJECT MATTER SHOWN THEREON ARE CONFIDENTIAL AND THE PROPRIETARY PROPERTY OF STEWART CONNECTOR AND SHALL NOT BE REPRODUCED, COPIED, OR USED IN ANY MANNER WITHOUT PRIOR WRITTEN CONSENT OF STEWART CONNECTOR. THIS PRODUCT MAY BE PROTECTED BY ONE OR MORE OF THE FOLLOWING US PATENTS: 5791942 6217391 6368159 6419526 6602097 687722 6964587 7048590 7086909 7568950 7686650 OTHER PATENTS MAY BE PENDING.	DRN BY: BK DATE 2-14-95
UNLESS OTHERWISE SPECIFIED TOLERANCES ARE ±.005 [0.13] ANGLES ARE ± 1°		APPD BY: JW DATE 2-14-95
SHEET NO. 1 OF 1		DWG NO. CT610013 REV. A7

