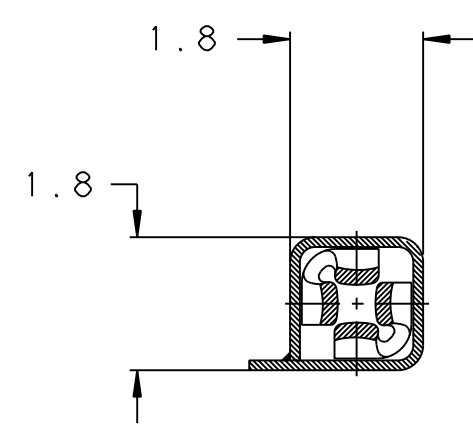
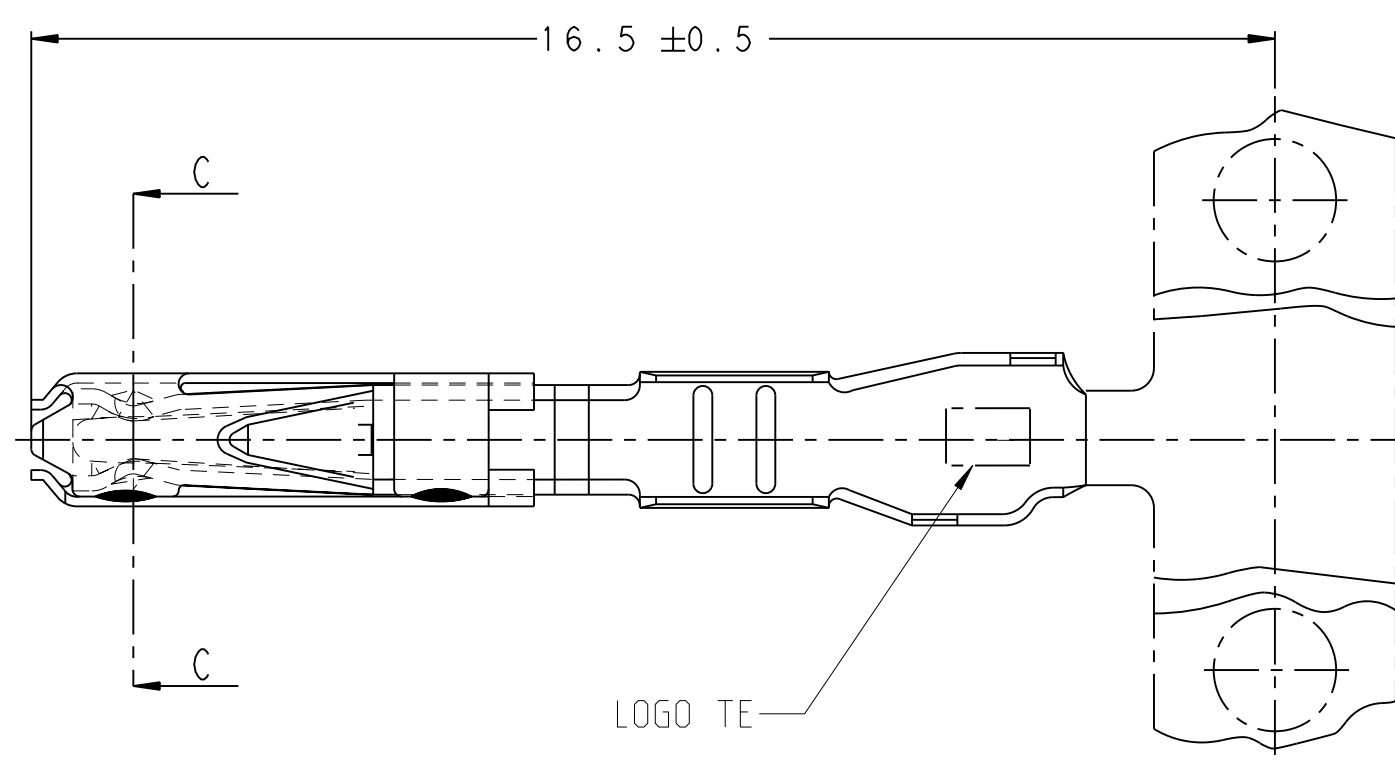
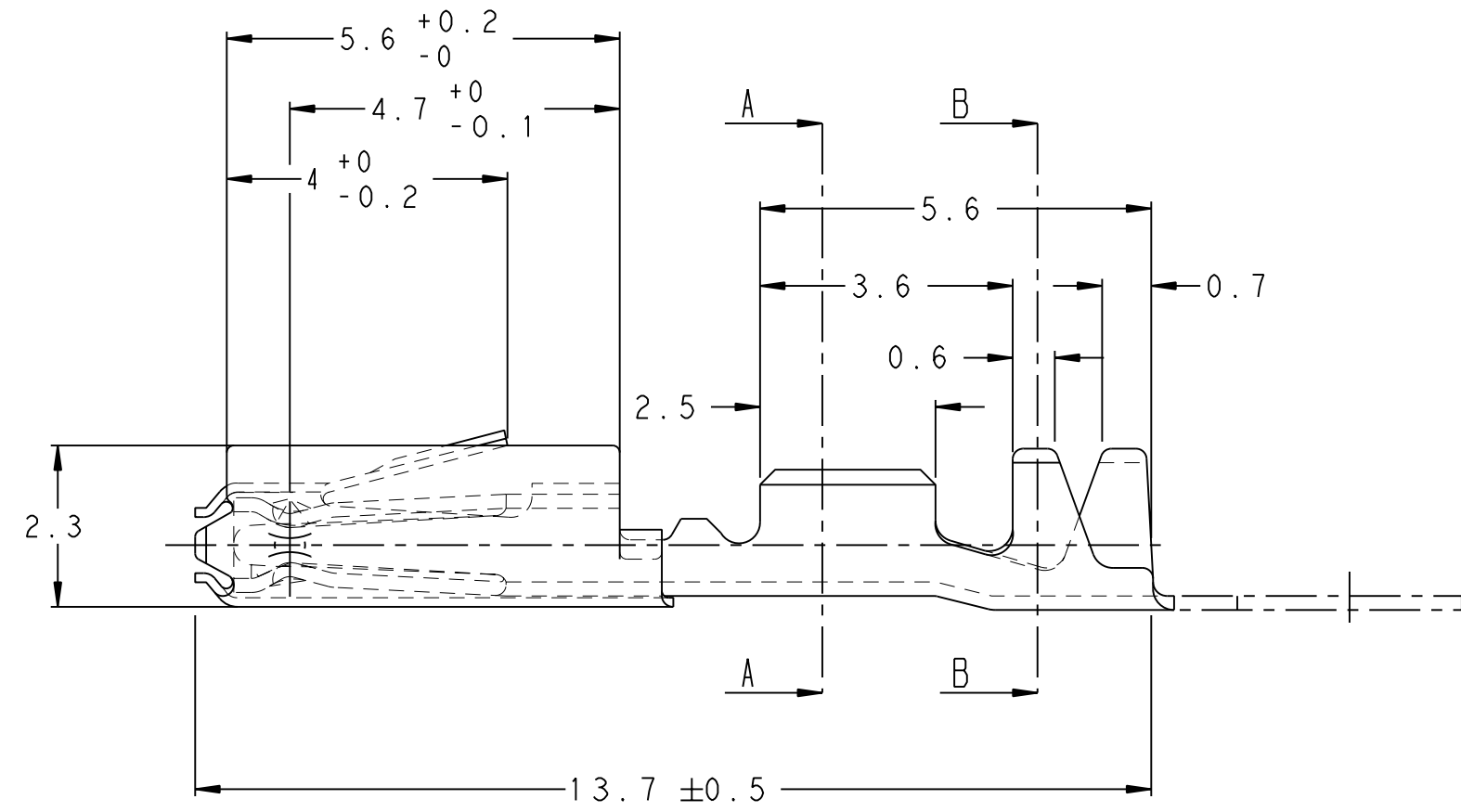
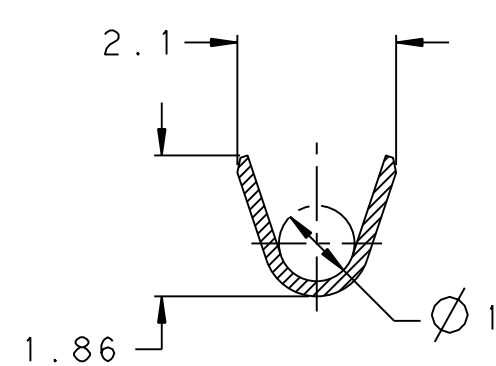


THIS DRAWING IS UNPUBLISHED. RELEASED FOR PUBLICATION 20
 © COPYRIGHT 20 BY - ALL RIGHTS RESERVED.

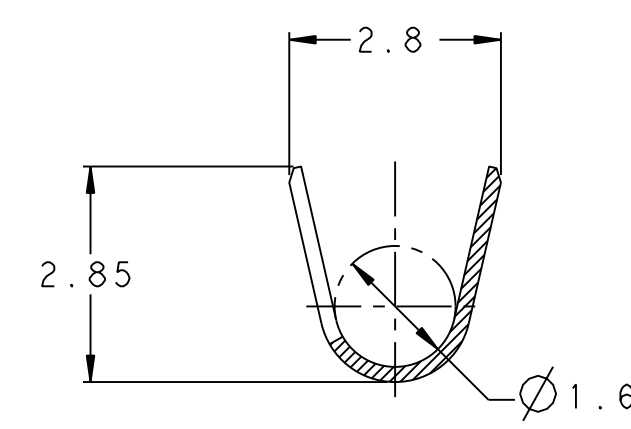
| LOC | | DIST | | REVISIONS | | | |
|-----|-----|---------------------------|------------|-----------|------|--|--|
| P | LTR | DESCRIPTION | DATE | DWN | APVD | | |
| | C | REVISED PER ECR-12-010158 | 04 JUN2012 | AR | XR | | |



SECTION CC

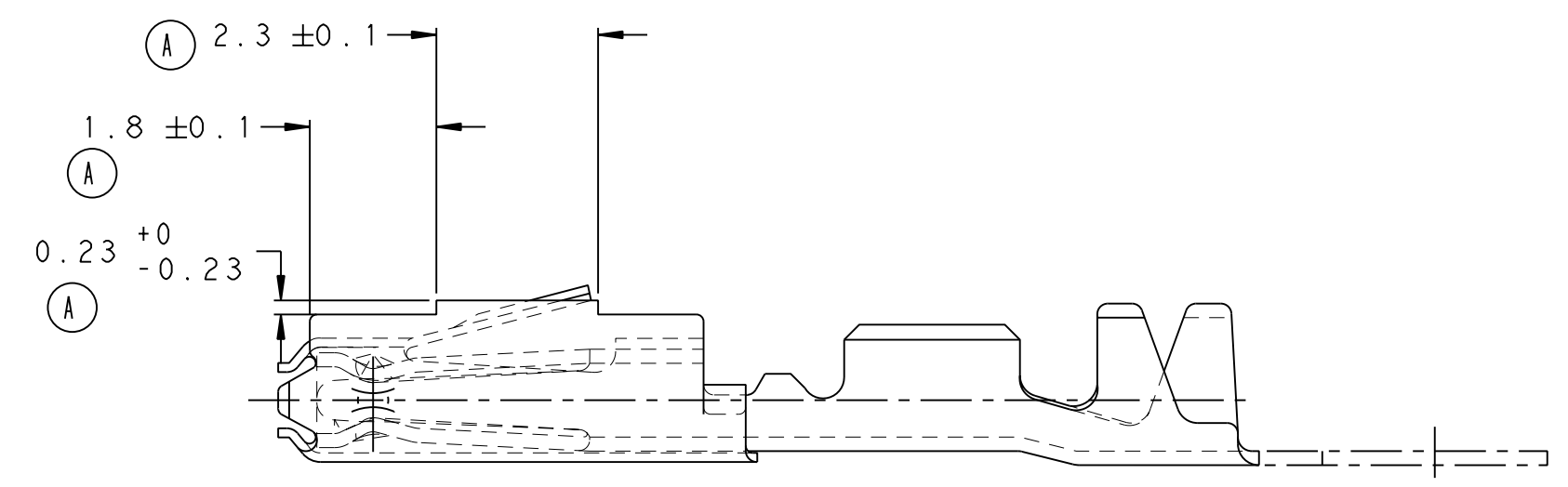


SECTION AA



SECTION BB

144969-2 AS SHOWN



FOR PN 144969-1 / -3 / -4
 SAME DIMENSIONS AND DESIGN
 AS 144969-2 EXCEPTED AS SHOWN.

| PART NUMBER | 4 CONTACT POINTS | CAGE INOX SPRING | CRIMP AREA |
|-------------|-----------------------------|-----------------------------|-----------------------------|
| 144969-4 | Sn 0.8 to 2 μm | Au 0.4 to 0.8 μm | Sn 0.8 to 3.3 μm |
| 144969-3 | Au 0.4 to 0.8 μm | Sn 0.8 to 3.3 μm | Sn 0.8 to 3.3 μm |
| 144969-2 | Au 0.4 to 0.8 μm | Au 0.4 to 0.8 μm | Sn 0.8 to 3.3 μm |
| 144969-1 | Sn 0.8 to 2 μm PRETINNED | Sn 0.8 to 2 μm PRETINNED | Sn 0.8 to 2 μm PRETINNED |

THIS DRAWING IS A CONTROLLED DOCUMENT.

| | | | | | | | | |
|------------------|--------------|------------------|---------------------|---|------------|---------------|-----|---|
| DWN | A. ROSI | 04 JUN2012 | TE Connectivity | NAME CLIP MQS A SERTIR (0.2-0.6 SQ mm) MQS RECEPTACLE WITH BARRIER CRIMP VERSION | | | | |
| CHK | X. ROUILLARD | 04 JUN2012 | | | | | | |
| APVD | J. DAHER | 05 JUN2012 | | | | | | |
| PRODUCT SPEC | 108-18030 | | | | | | | |
| APPLICATION SPEC | 114-15077 | | SIZE | CAGE CODE | DRAWING NO | RESTRICTED TO | | |
| MATERIAL | VOIR TABLEAU | WEIGHT | A2 | 00779 | 144969 | - | | |
| | VOIR TABLEAU | CUSTOMER DRAWING | SCALE | 1:1 | SHEET | 1 OF 1 | REV | C |