

# Customer Information Sheet

DRAWING No.: S7111-42R

SHEET 2 OF 2

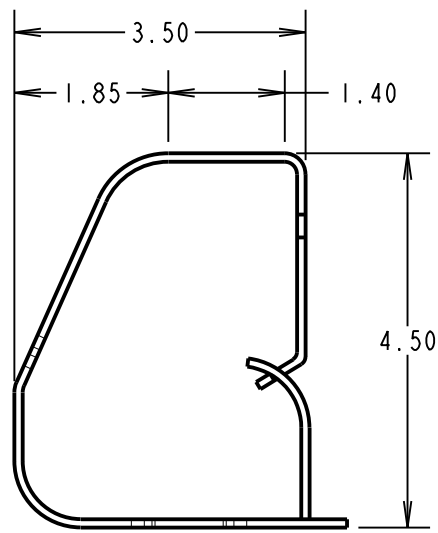
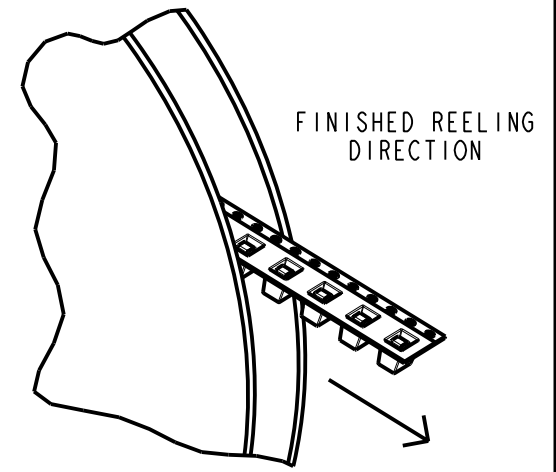
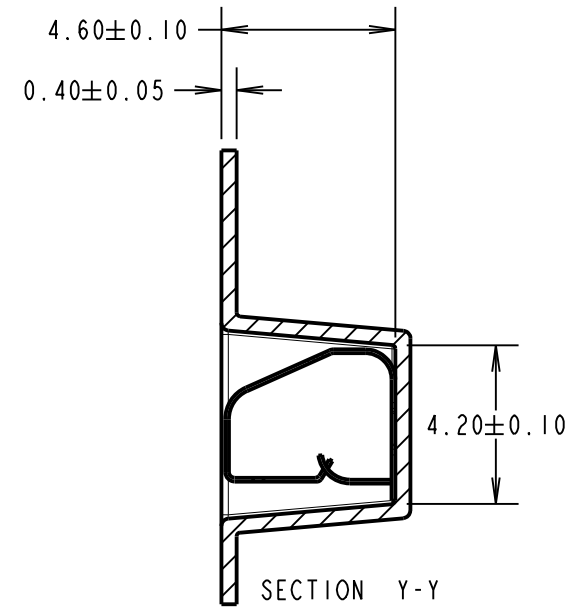
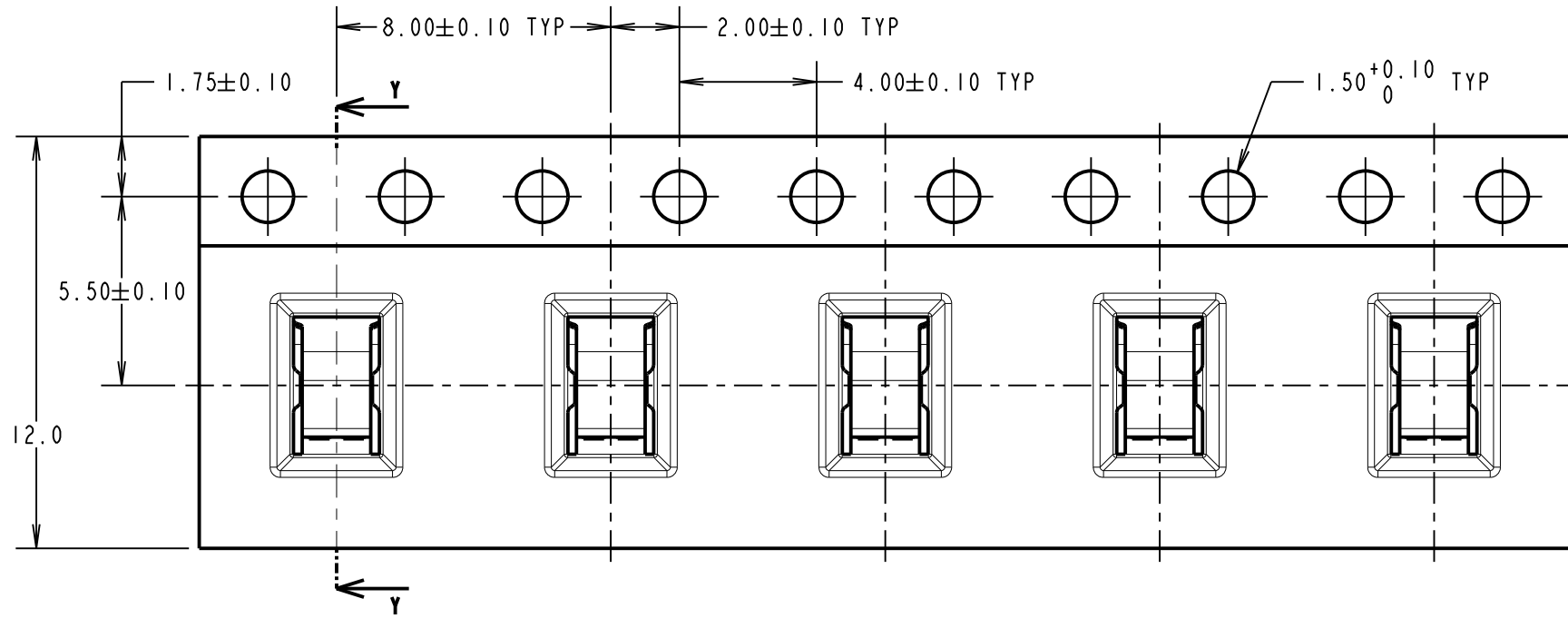
IF IN DOUBT - ASK

©

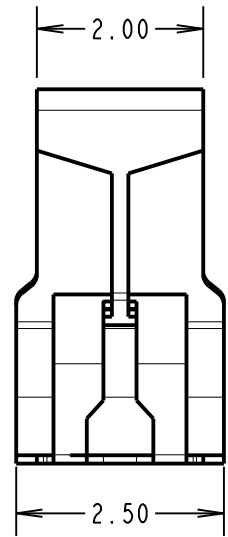
NOT TO SCALE

THIRD ANGLE PROJECTION

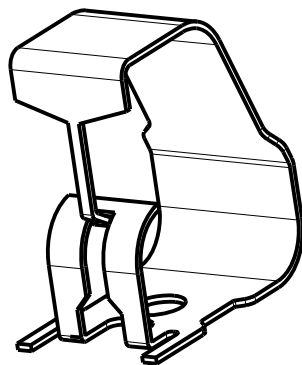
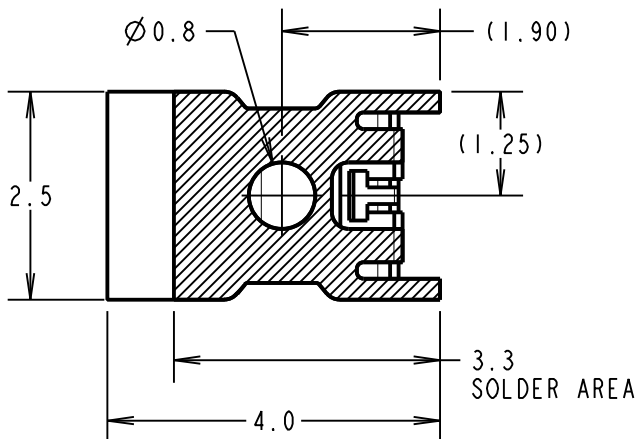
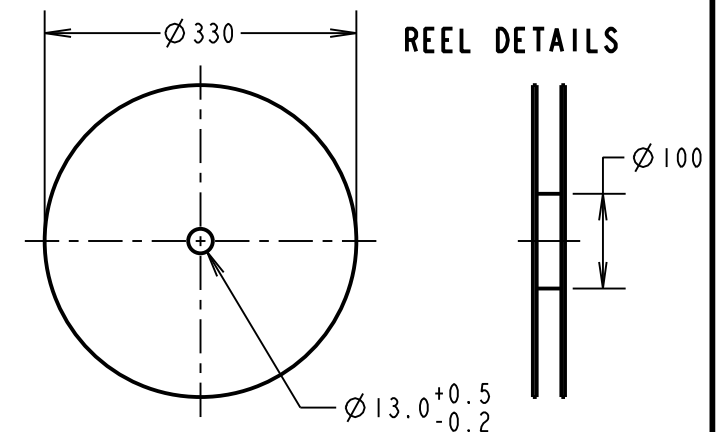
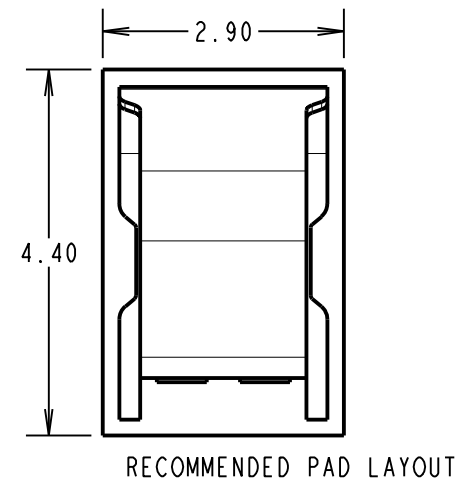
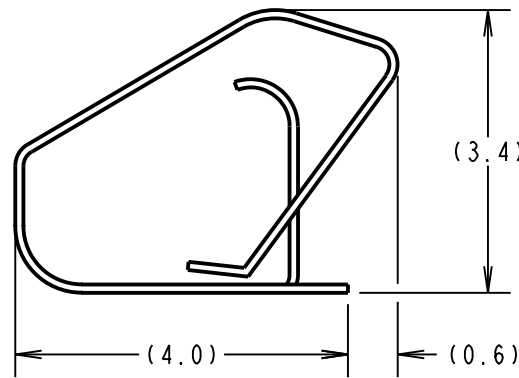
ALL DIMENSIONS IN mm



COMPONENT DETAILS



COMPONENT AT MINIMUM RECOMMENDED HEIGHT



SCALE 9

COMPONENT SPECIFICATION:

MATERIAL = TITANIUM COPPER ALLOY,  
0.10mm THICK

FINISH = 0.7µ-1.3µ NICKEL, GOLD FLASH  
ON CONTACT AND 2.54µ MIN 100% TIN  
ON FOOT AREA.

RECOMMENDED WORKING HEIGHT = 3.80mm / MIN FORCE = 1.2N

RECOMMENDED MINIMUM WORKING HEIGHT = 3.40mm

ELECTRICAL:  
CURRENT RATING = 6A

MECHANICAL:  
DURABILITY = 2000 CYCLES

ENVIRONMENTAL:  
OPERATING TEMPERATURE = -55°C TO +125°C

NOTES:

- QUANTITY PER REEL = 1800.
- ALL TOLERANCES ARE: X.X = ±0.30mm  
X.XX = ±0.15mm  
UNLESS OTHERWISE STATED.

SB	7	21.11.13	12234
NAME	ISS.	DATE	C/NOTE
APPROVED:		S.BENNETT	
CHECKED:		S.FLOWER	
DRAWN:		R.ADDE	
CUSTOMER REF.:			
ASSEMBLY DRG:			

**HARWIN**

www.harwin.com  
technical@harwin.com

THIS DRAWING AND ANY INFORMATION OR DESCRIPTIVE MATTER SET OUT HEREON ARE CONFIDENTIAL AND COPYRIGHT PROPERTY OF THE HARWIN GROUP AND MUST NOT BE DISCLOSED, LOANED, COPIED OR USED FOR MANUFACTURING, TENDERING OR FOR ANY OTHER PURPOSE WITHOUT THEIR WRITTEN PERMISSION.

~~TOLERANCES~~  
X = ±1mm  
X.X = ±0.25mm  
X.XX = ±0.10mm  
X.XXX = ±0.01mm  
ANGLES = ±5°  
UNLESS STATED

MATERIAL: SEE ABOVE  
FINISH: SEE ABOVE  
S/AREA: mm<sup>2</sup>

TITLE:  
SMT SHIELD FINGER (4.5mm)  
IN TAPE AND REEL

DRAWING NUMBER:  
**S7111-42R**

SHT  
2 OF 2