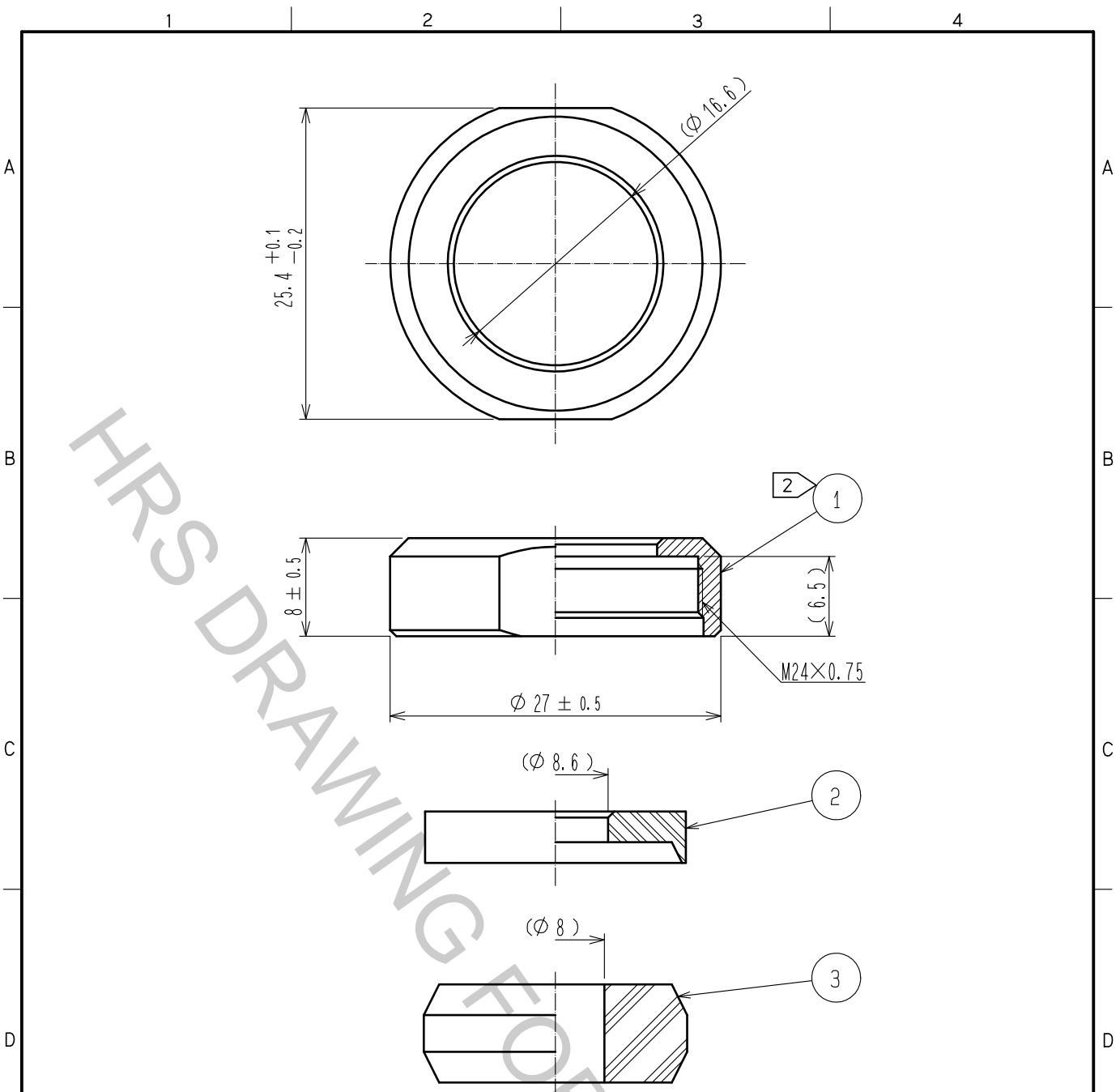


Aug.1.2018 Copyright 2018 HIROSE ELECTRIC CO., LTD. All Rights Reserved.
 In case that the application demands a high level of reliability, such as automotive,
 please contact a company representative for further information.



- Notes
1. This product is delivered disassembled.
 2. The recommended clamp torque of ref. No. ① : 4 to 4.5 N · m .
 LOCTITE 263, HENKEL JAPAN or equivalent is recommended to prevent
 ref. No. ① from loosening.
 3. The cable pull and twisting strength, waterproof tightness and other characteristics
 may differ, depending on the cable structure. Please confirm before the use.

| | | | | | | | |
|---------------------------------|----------|----------------------|-----------|--------------------------------|------------------|----------|------|
| 2 | PPS | (Black) UL94V-0 | | | | | |
| 1 | Brass | Black chrome plating | 3 | Acrylonitrile butadiene rubber | (Gray) | | |
| NO. | MATERIAL | FINISH . | REMARKS | NO. | MATERIAL | FINISH . | |
| | | | | | | REMARKS | |
| UNITS mm | | SCALE 2 : 1 | COUNT | DESCRIPTION OF REVISIONS | DESIGNED | CHECKED | DATE |
| HIROSE ELECTRIC CO., LTD. | APPROVED | ·HY. KOBAYASHI | 18.02.26 | DRAWING NO. | EDC-110625-31-00 | | |
| | CHECKED | ·HY. KOBAYASHI | 18.02.26 | PART NO. | JR21WCCA-8(31) | | |
| | DESIGNED | ·TH. KAMEYA | 18.02.24 | CODE NO. | CL114-2082-7-31 | | |
| | DRAWN | ·MK. INOUE | 18.02.14 | | 1/1 | | |