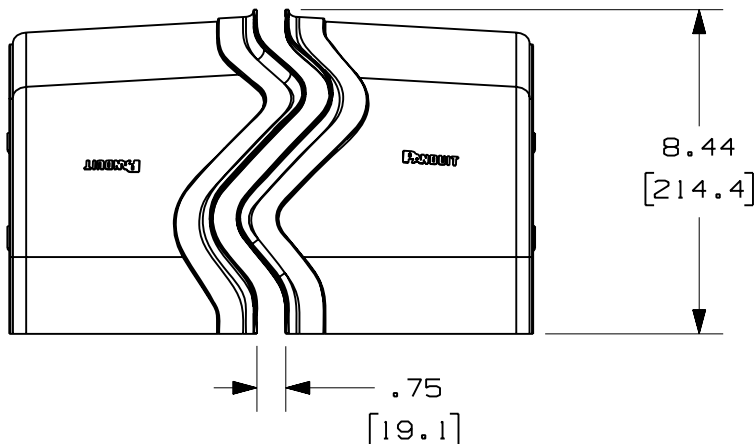


A

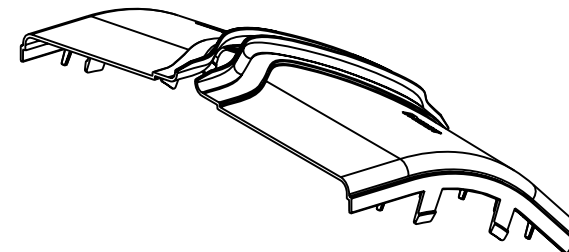
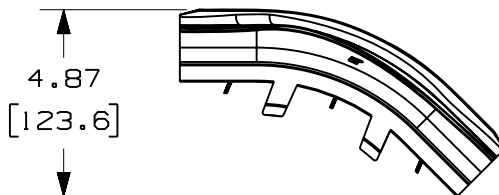
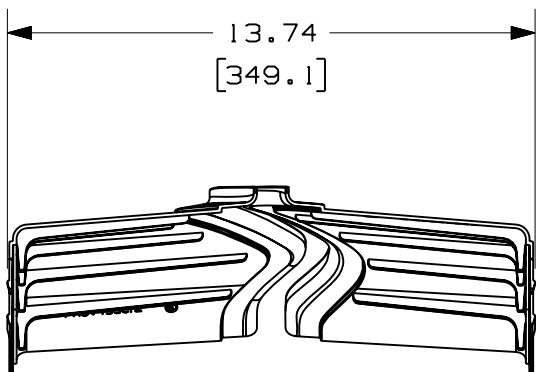


**NOTES:**

1. SEE CURRENT CATALOG FOR ADDITIONAL PART SUFFIXES TO INDICATE COLOR AND/OR PACKAGE QUANTITY.
2. THE FIBERRUNNER 12x4 OUTSIDE VERTICAL 45° ANGLE SPLIT COVER REQUIRES NO TOOLS FOR INSTALLATION AND/OR REMOVAL. THE SPLIT COVER CREATES A 3/4" (19.1) RADIUS OPENING TO ALLOW FOR NEW CABLES TO BE ADDED WITHOUT THE NEED FOR REMOVING THE COVERS.
3. DIMENSIONS IN PARENTHESSES ARE IN METRIC.

PANDUIT PART NUMBER	WEIGHT
FROV45SC12	0.62 LB/EACH (280g/EACH)

E



ENG. REF.: D37617DW\_DC\_FROV45SC12\_01.prt

CAD FILENAME/LAYERS		FROV45SC12.pdf	
<h1>PANDUIT</h1> CORP TINLEY PARK, ILLINOIS			
FIBERRUNNER 12x4 OUTSIDE VERTICAL 45° ANGLE SPLIT COVER (FROV45SC12) CUSTOMER DRAWING			
UNLESS OTHERWISE SPECIFIED, DIMENSIONAL TOLERANCES ARE:		UNLESS OTHERWISE SPECIFIED, ALL DIMENSIONS ARE GIVEN IN INCHES, THIRD ANGLE PROJECTION.	
(.X) ± (.XXX) ± (.XX) ± .03 (.8) ANGLES ±		NONE	
DRAWN BY	MAT'L:	SCALE	DWG
JHNU	ABS	NONE	A
DATE		DRAWING NO.	SIZE
1-5-01		37617-83	A
CHK'D			
LD			

REV	DATE	BY	CHK	DESCRIPTION	ECN	R	CUST	SUP	GMBH
-	-----	---	---	E. REVISED PART WEIGHT	-----	--	--		
-	-----	---	---	D. REVISED GENERAL NOTES C. REVISED CAD FILENAME	-----	--	--		
1	7-7-06	DTP	RN	B. REVISED DRAWING TITLE A. REVISED AND REDRAWN	37617-83	RN	RN		