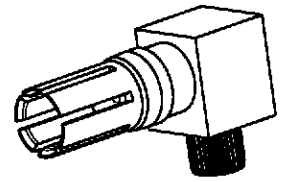
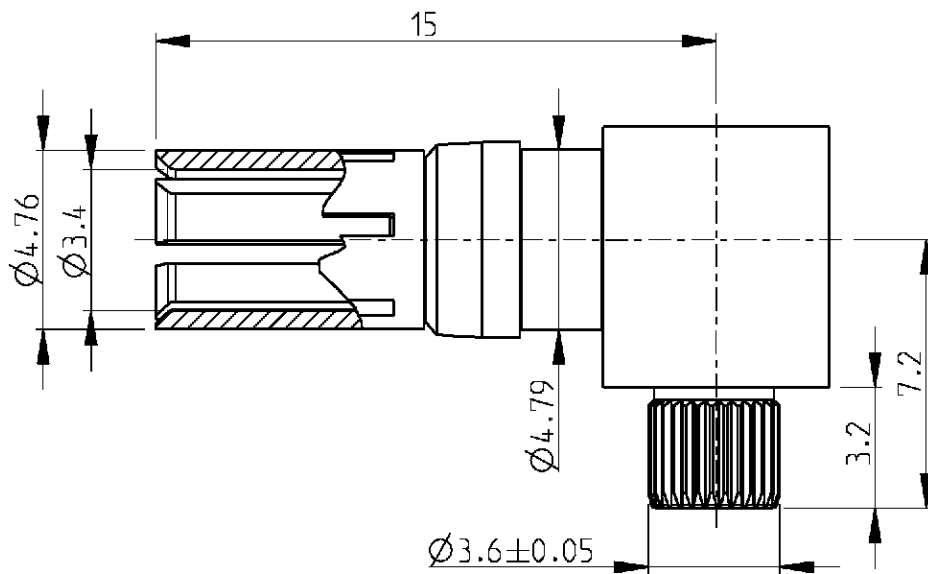
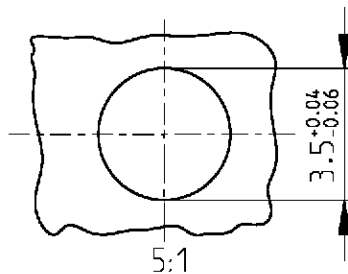


LOC	DIST	REVISIONS				
P	LTR	DESCRIPTION	DATE	DWN	APVD	
GW	-	A	-	26APR2001	BL KM	



2:1

Recommended PCB layout
thickness 3.2




2) Application : DIN 41612 Type M.

1) All dimensions are maximum dimensions unless otherwise specified.

Cross reference table			
Old part number	Tyco part number	Material	Plating
V23648-A32-D4	1393590-4	CuBe	1 μm Au or Pd in contact area



1:1

DIMENSIONS: mm	DWN B. Lenvain	26APR2001	MATERIAL	-	FINISH	-
	CHK K. Mattheeuws	26APR2001	 Tyco Electronics Oostkamp - Belgium			
TOLERANCES UNLESS OTHERWISE SPECIFIED:	APVD R. Leeman	26APR2001				
0 PLC ±	PRODUCT SPEC	-	NAME High current socket press-in 25 A			
1 PLC ±	APPLICATION SPEC	-	SIZE	CAGE CODE	DRAWING NO	RESTRICTED TO
2 PLC ±			A4	00779	©=1393590-4	-
3 PLC ±	WEIGHT	-	CUSTOMER DRAWING			
4 PLC ±			SCALE	6/1	SHEET	1 OF 1
ANGLES ±					REV	A