

# AT91 ARM THUMB MICROCONTROLLERS

## EVALUATION KITS

Ready-to-use, low-cost evaluation platforms for the entire AT91 series.



Image: Studio Cadrage

*The AT91EB55 Evaluation Kit*

- **Includes all hardware and software elements required to exercise the AT91 MCU in basic operations:**
  - Development board with PC connections
  - Angel debug monitor
  - Choice of software development tools
  - Library of software modules for peripherals, device-independent drivers, demonstration applications
  - Full AT91 documentation
- **Evaluation Kit includes AT91 microcontroller plus:**
  - SRAM, Flash, DataFlash® and EEPROM memories (board dependent)
  - Simple I/O interface
  - Boot and Auto test in Flash
  - Extension connectors for all AT91 I/O signals and memory bus
  - PC and power supply connections
- **Memory Extension Card includes:**
  - Additional 16M bits of high-speed SRAM
  - 24M bits of Flash
- **Software modules include:**
  - Choice of demonstration versions of development toolkits (ARM SDT V2.50, ARM ADS and Green Hills MULTI 2000)
  - AT91 peripheral and device-independent drivers
  - Sample applications, including current measurement module
  - Tools such as Flash downloader

**Corporate Headquarters**

2325 Orchard Parkway  
San Jose, CA 95131  
USA  
Tel: (+1) (408) 441-0311  
Fax: (+1) (408) 436 4200

**Europe**

Atmel SarL  
Route des Arsenaux 41  
Casa Postale 80  
CH-1705 Fribourg  
Switzerland  
Tel: (+41) 26-426-5555  
Fax: (+41) 26-426-5500

**Asia**

Atmel Asia Ltd  
Room 1219  
Chinachem Golden Plaza  
77 Mody Road  
Tsimshatsui East, Kowloon  
Hong Kong  
Tel : (+852) 272 19 778  
Fax : (+852) 272 21 369

**Japan**

Atmel Japan KK  
Tonetsu Shinkawa Bldg, 9F  
1-24-8 Shinkawa  
Chuo-Ku, Tokyo 104-0033  
Japan  
Tel : (+81) 3 3523 3551  
Fax : (+81) 3 3523 7581

**E-mail**

literature@atmel.com

**Web Site**

http://www.atmel.com



© Atmel Corporation 2001

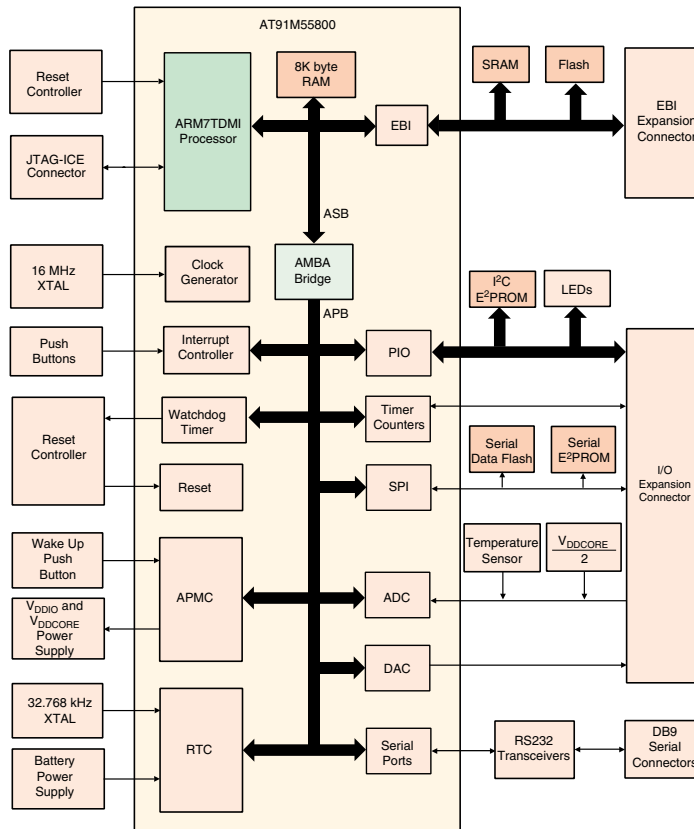
Atmel and the Atmel logo are registered trademarks of Atmel Corporation. ARM, the ARM-powered logo, ARM7TDMI and Thumb are trademarks and registered trademarks of ARM Ltd.

Other terms and product names may be trademarks of others.

All figures in this brochure are for illustrative purposes only. See Atmel data books for definitive figures and for applicable limitations and warranties.

1253C-09/01/6M

AT91EB55 Evaluation Board Block Diagram



The AT91EB40(A), EB42, EB55 and EB63 Evaluation Kits, together with the AT91MEC01 Memory Extension Card, give you everything you need for rapid evaluation and basic function development on Atmel's entire range of AT91 Series ARM Thumb-based microcontrollers. They enable you to make an informed choice of Atmel's product for your application, and provide basic software building blocks to reduce your development time and risk. With these kits you can ...

**Evaluate the Atmel ARM MCU in elementary operations**

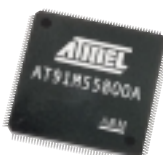
Using one of the tutorials supplied with the kit, you load and run the development tool of your choice, select a demonstration software module from those supplied, load and run it.

Device drivers are supplied for all the AT91 peripherals. You can exercise sophisticated system building blocks such as the Advanced Interrupt Controller in order to understand how to use them to the maximum advantage in your application.

Software modules are available for terminal emulation, generic serial I/O and similar elementary operations.

**Evaluate the Atmel ARM MCU in compute-intensive functions**

The NexGen TCP/IP stack is included to show the capabilities of the AT91 in a demanding application. You can also run the Dhystone benchmark module or the power consumption monitor.



AT91 ARM-based Microcontroller	Evaluation Kit
AT91M40800	AT91EB40
AT91M40807	
AT91R40807	
AT91R40008	AT91EB40A
AT91F40816	AT91EB40 plus AT91MEC01
AT91FR4081	
AT91M43300	AT91EB63
AT91M63200	AT91EB42
AT91M42800A	
AT91M55800A	

**Develop, load and run modules for your application**

You can modify any of the software modules supplied with the Evaluation Kit for your own application. Using the development tools and the debug monitor, you can compile, load and run your modules, and view the contents of the registers as you step through them.

**Modify the evaluation board to your requirements**

All elements of the evaluation board can be disconnected, and all I/Os are connected to external connections. This enables you to re-configure the board and connect other devices as required.

