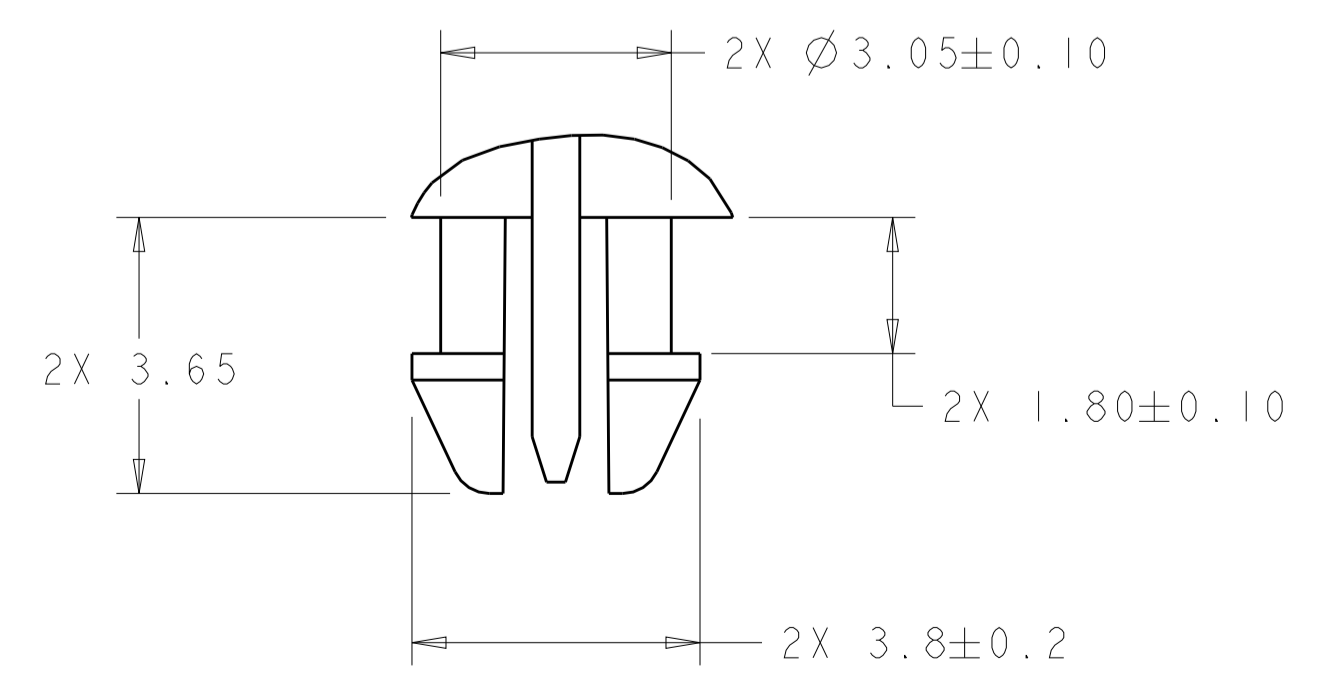
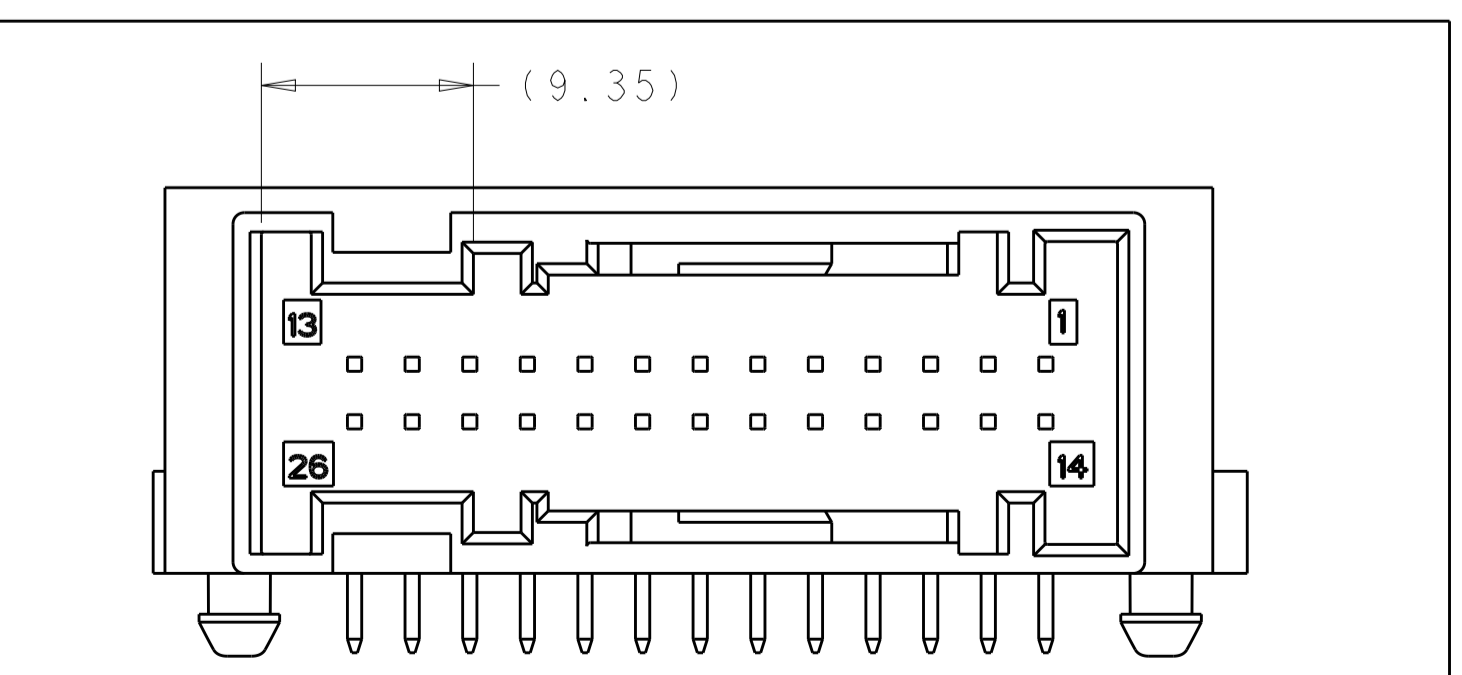
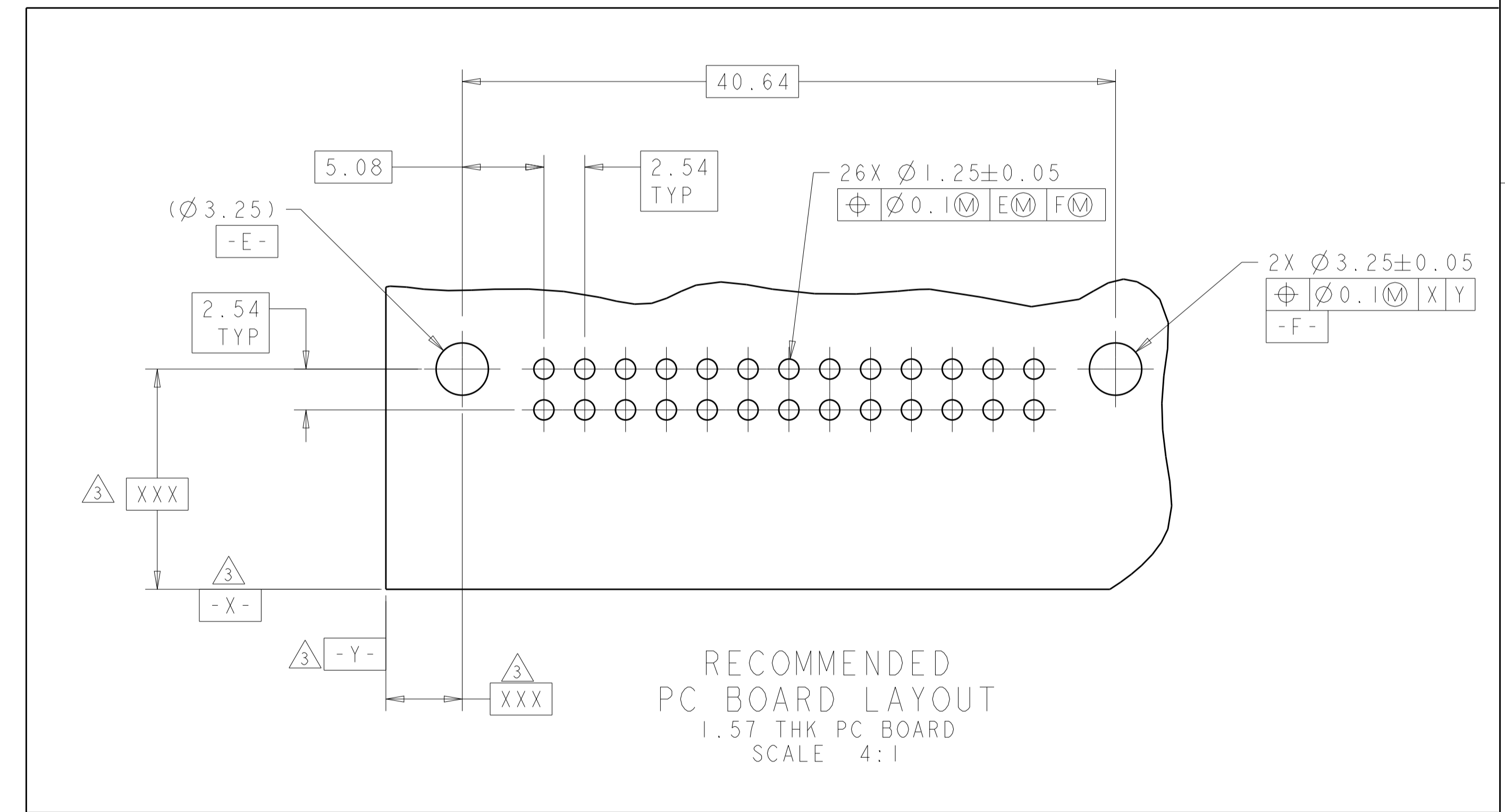
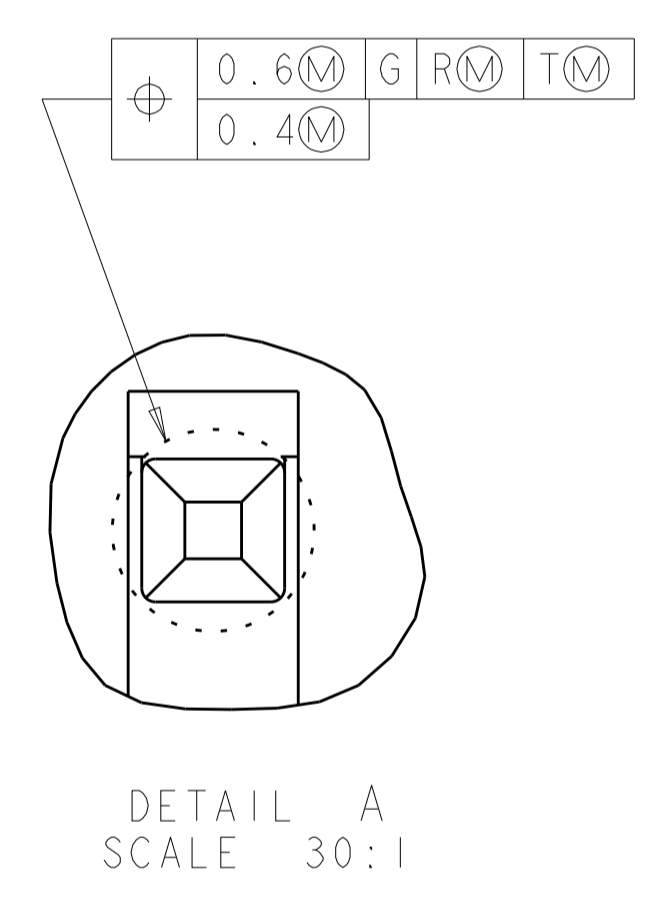
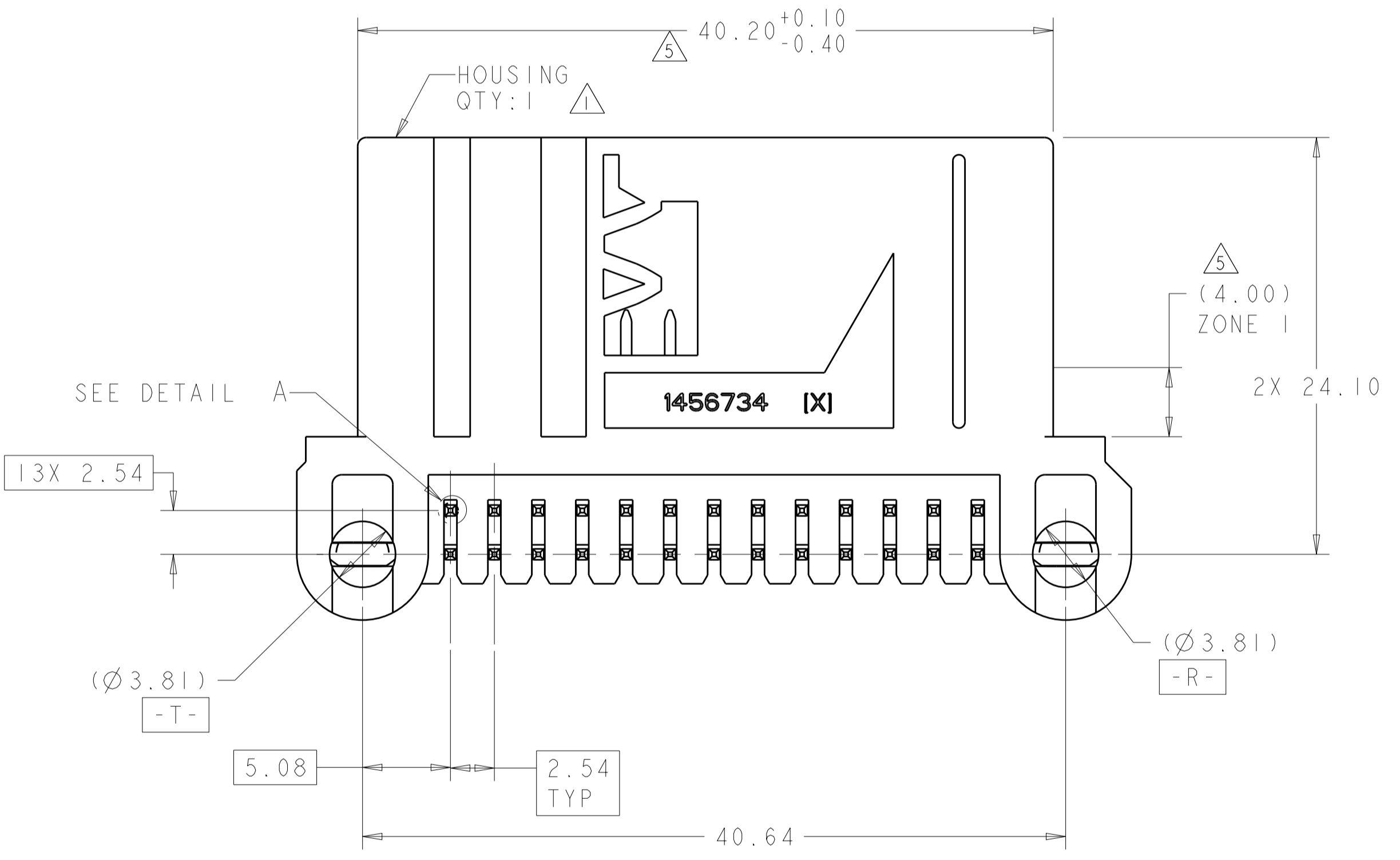
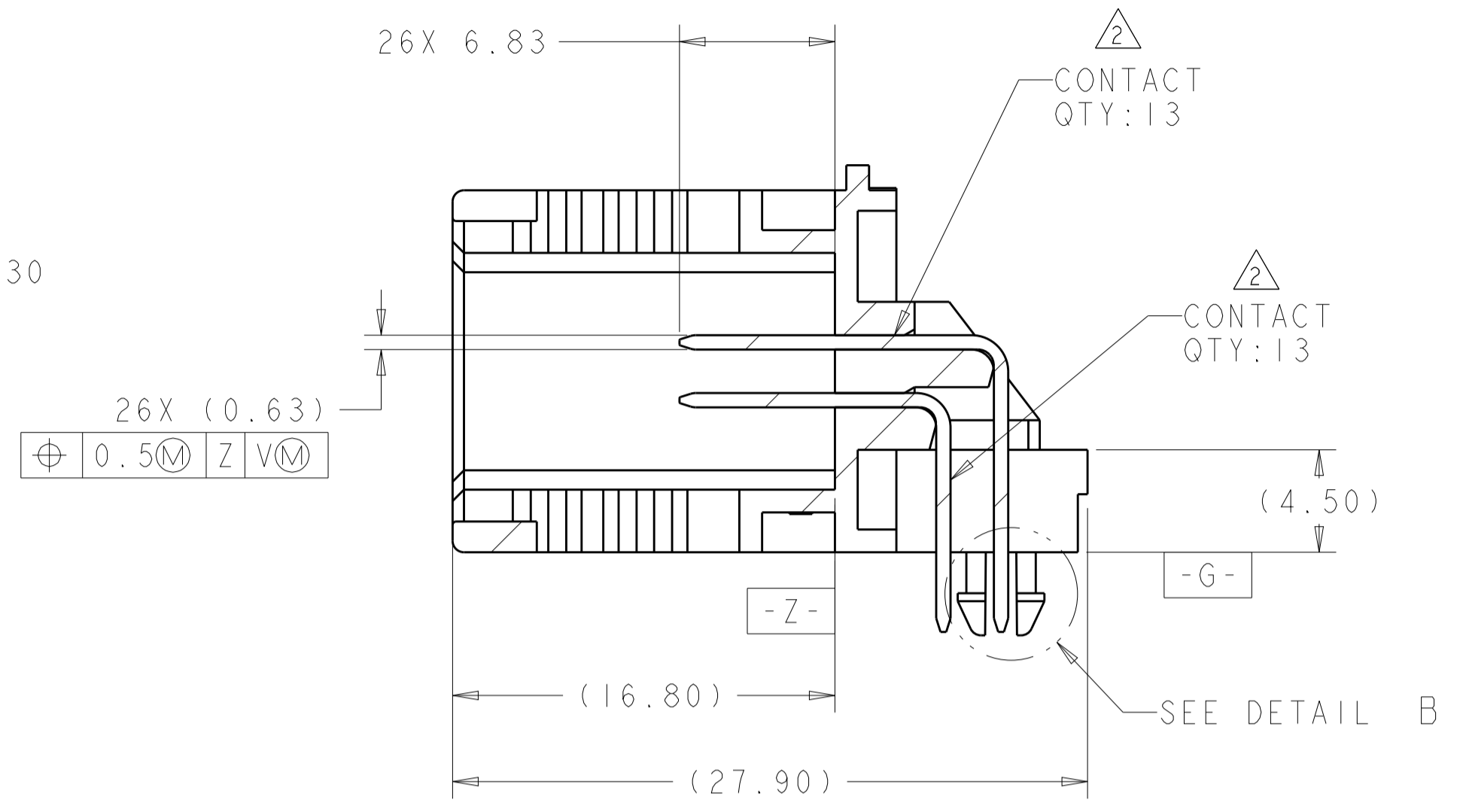
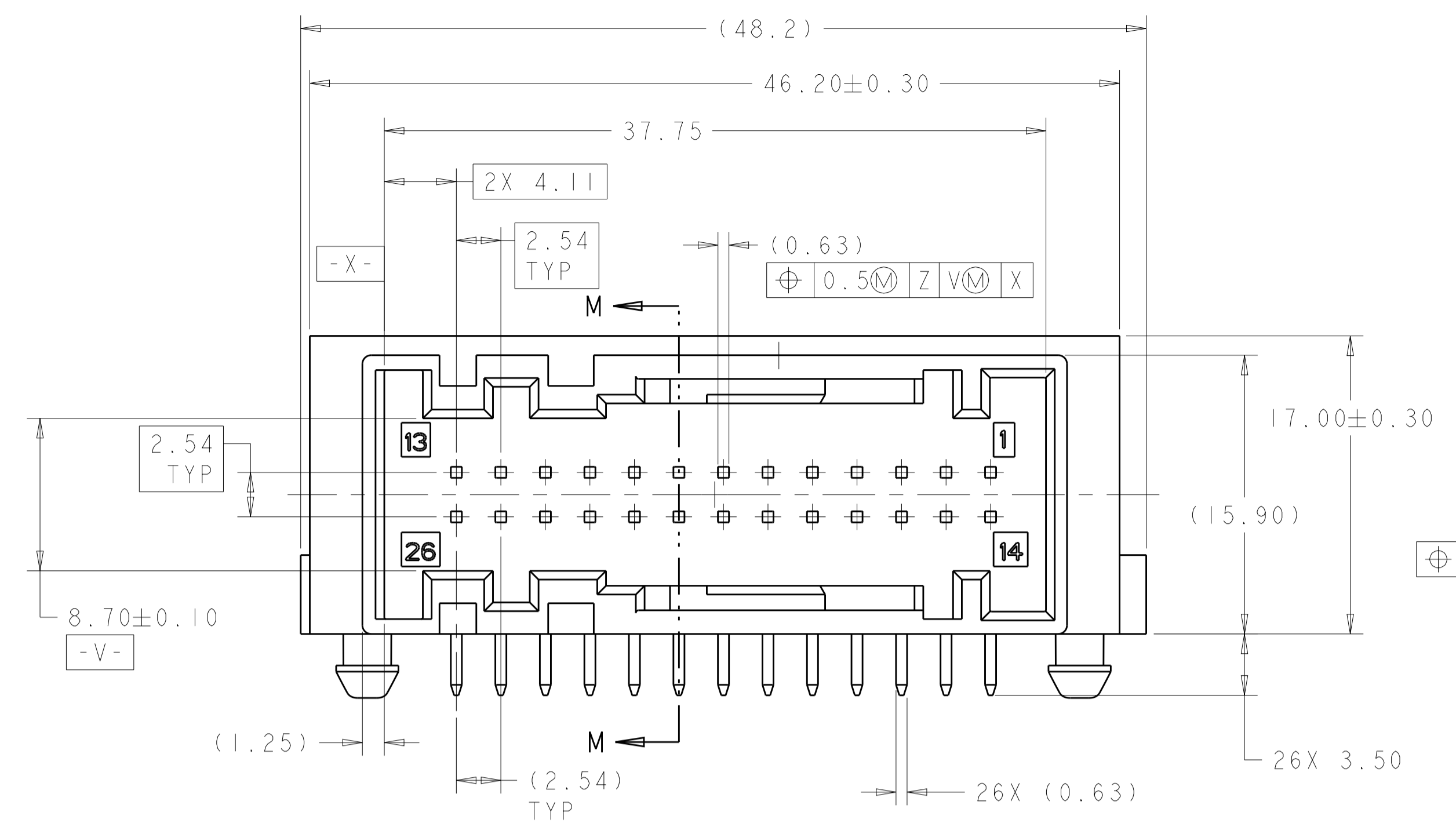


REVISIONS				
P.	LTN	DESCRIPTION	DATE	APVD
A6	REV PER ECR-15-009409		23JUN2015	MBH JS

1456736-2 AS SHOWN
KEYING CODE "BF"

- ① HOUSING: PBT, 20% GLASS
- ② CONTACTS: COPPER ALLOY, TIN OVER NICKEL PLATE
- ③ DATUMS AND BASIC DIMENSIONS ESTABLISHED BY THE CUSTOMER
- ④ N/A
- ⑤ 40.20+0.10/-0.40 MEASURED AT TOP OF SHROUD.
40.20±0.40 MEASURED IN ZONE 1



KEYING CODE	COLOR	PART NUMBER
"BF"	BLUE	1456736-3
"BF"	BLACK	1456736-2
"AE"	BLACK	1456736-1

THIS DRAWING IS A CONTROLLED DOCUMENT. DIMENSIONS: mm. TOLERANCES UNLESS OTHERWISE SPECIFIED: 0 PLC ±, 1 PLC ±, 2 PLC ±0.20, 3 PLC ±, 4 PLC ±, ANGLES ±. MATERIAL: SEE TABLE. FINISH: SEE TABLE. WEIGHT: -. Customer Drawing.

APVD: H. MOLL, J. SLUSSER, J. SLUSSER. DATE: 15MAY2006, 30MAY2006, 30MAY2006. NAME: HEADER ASSY, 26 WAY, RIGHT ANGLE, WITH BOARDLOCKS, RIGHT CABLE EXIT, (INVERTED INTERFACE), MQS. SIZE: A1. CAGE CODE: 1456736. RESTRICTED TO: A6.

STE TE Connectivity