

PLEASE CHECK WWW.MOLEX.COM FOR LATEST PART INFORMATION

Part Number: [62100-6200](#)
Status: **Active**
Description: Removal Tool for High Speed Edge Card

Documents:
[RoHS Certificate of Compliance \(PDF\)](#)

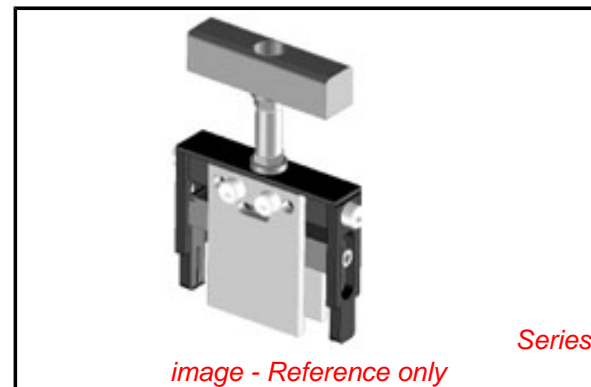
General

Product Family	Application Tooling
Series	T3002
Comments	See Tooling Specification (PDF) Above
Function	Extraction
Geographic Area	Global
Level of Automation	Manual
More Detailed Tech Information	applicationtooling@molex.com
Product Name	N/A
Survey	www.molex.com//review/apptool_survey.html
Tool Type	N/A
UPC	883906116330

Material Info

Reference - Drawing Numbers

Application Tooling Documents	ATS-621006200
-------------------------------	---------------



EU RoHS	China RoHS
----------------	-------------------

Compliance Status

Not Reviewed

REACH SVHC

Not Reviewed

Low-Halogen Status

Not Reviewed

Need more information on product environmental compliance?

Email productcompliance@molex.com
 For a multiple part number RoHS Certificate of Compliance, [click here](#)

Please visit the [Contact Us](#) section for any non-product compliance questions.

Search Parts in this Series

[T3002Series](#)

Application Tooling Description	FAQ Product #
0.80 mm Pitch EdgeLine® 12.5 Gbps Edge Card Connector, 108 Circuits, PCB Mating Thickness 2.36mm	0764211000

PLEASE CHECK WWW.MOLEX.COM FOR LATEST PART INFORMATION