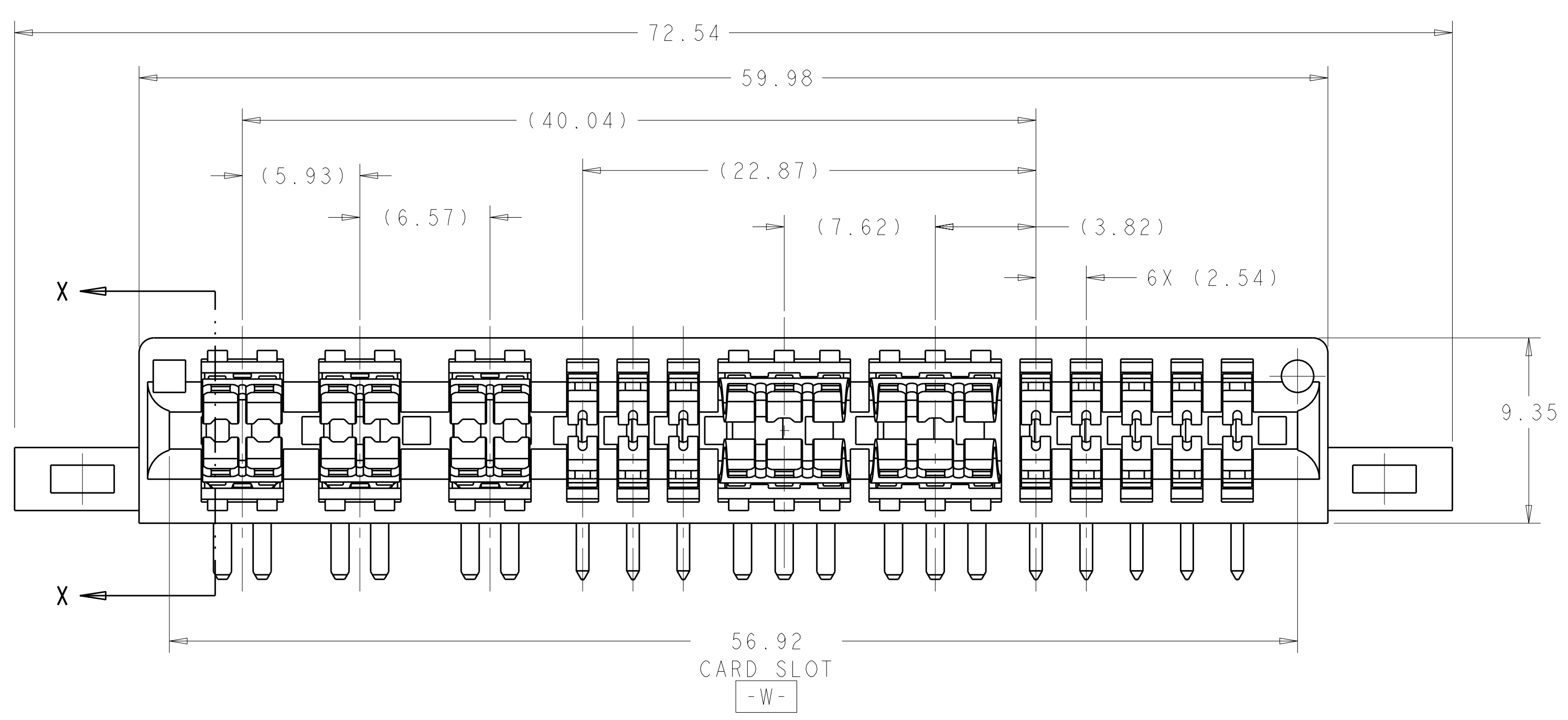
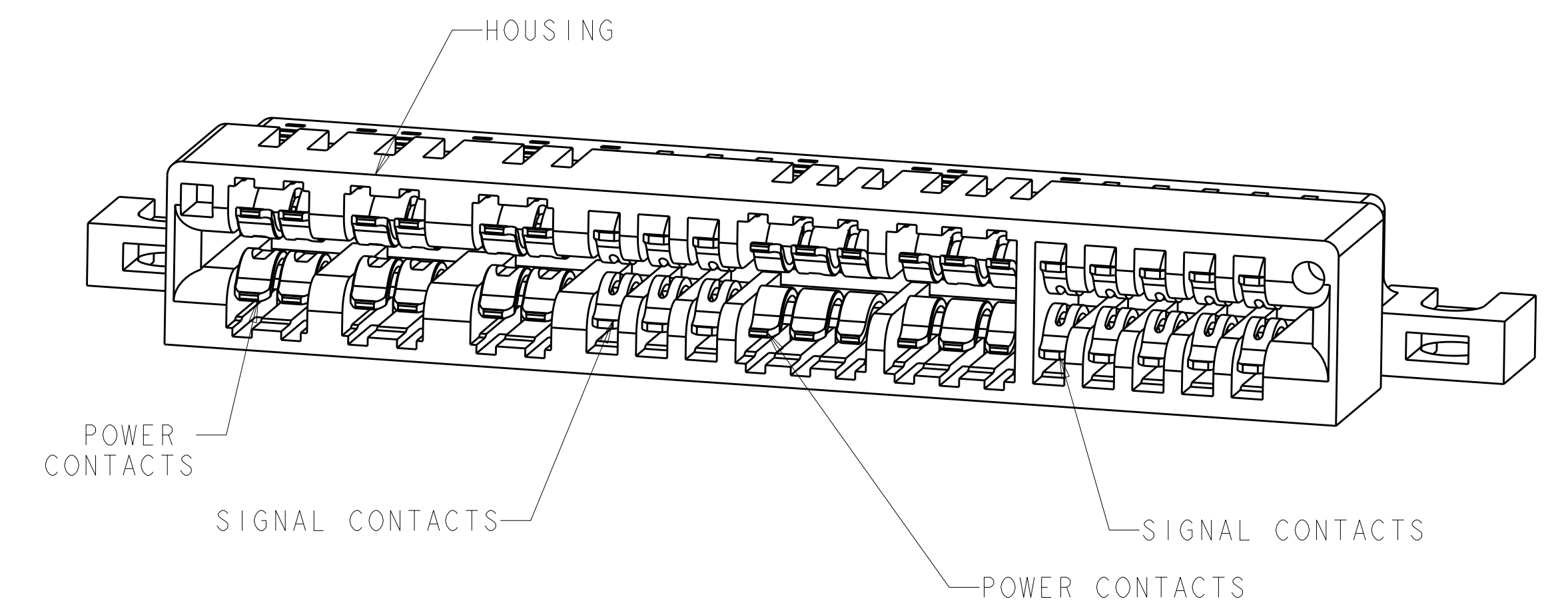
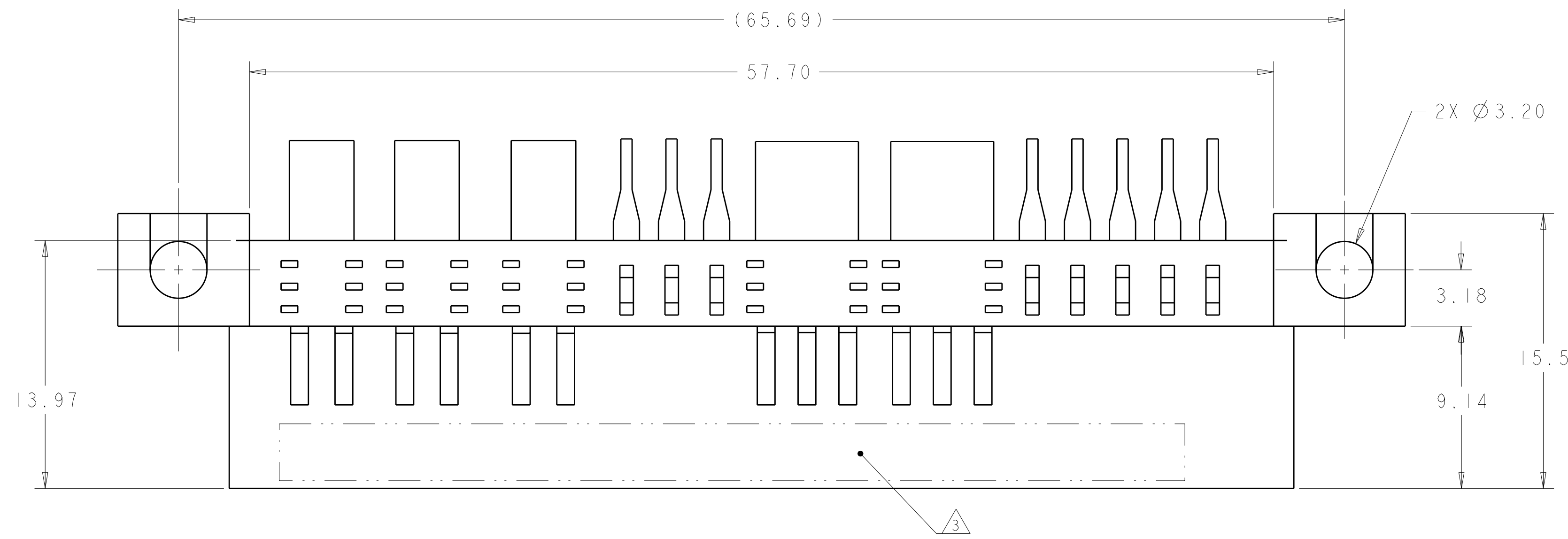
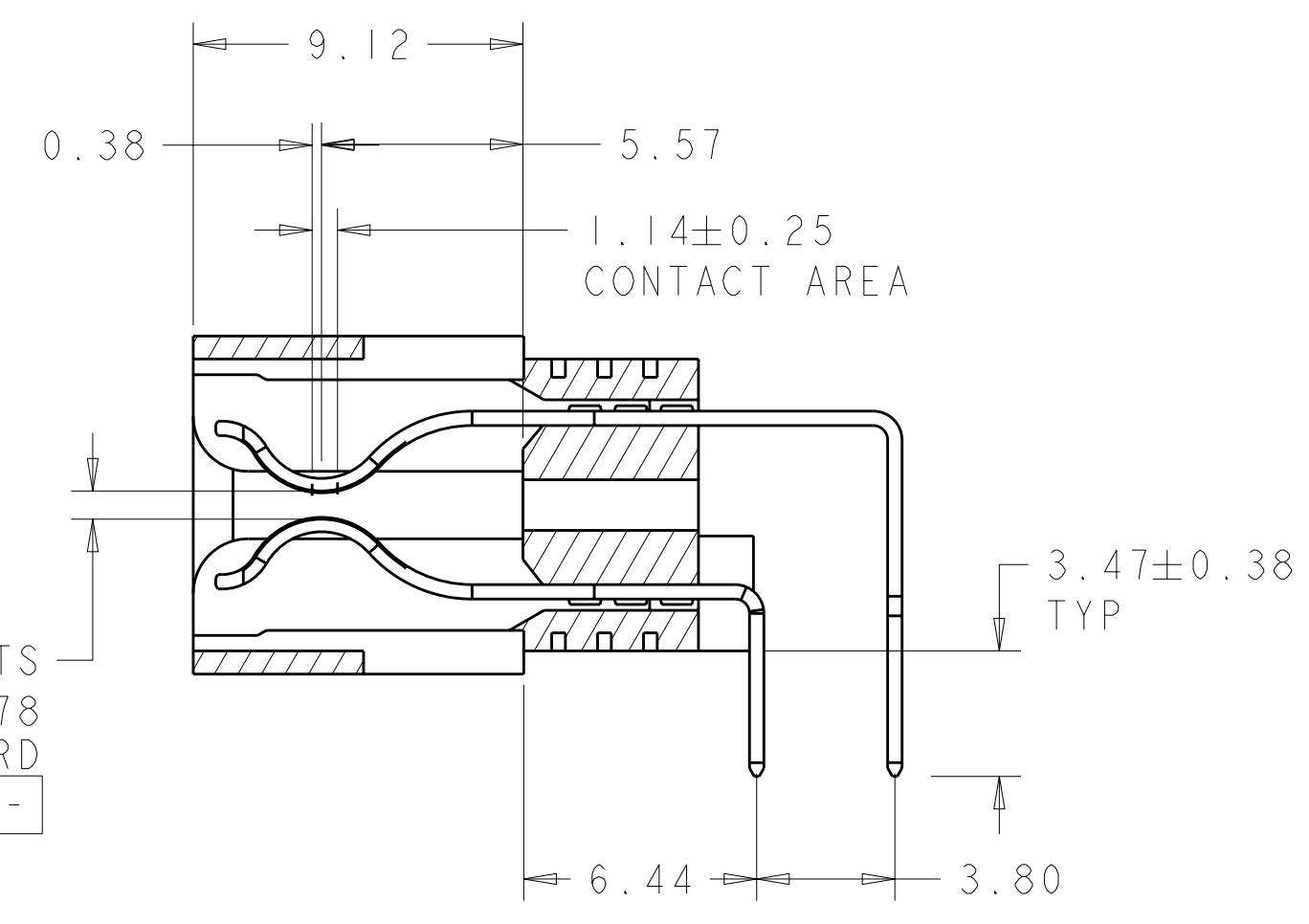


LOC	DIST	REV	DATE	DWN	APVD
GP	00	A	09DEC2009	RG	EH
		DESCRIPTION			
		RELEASED PER ECO-09-024889			

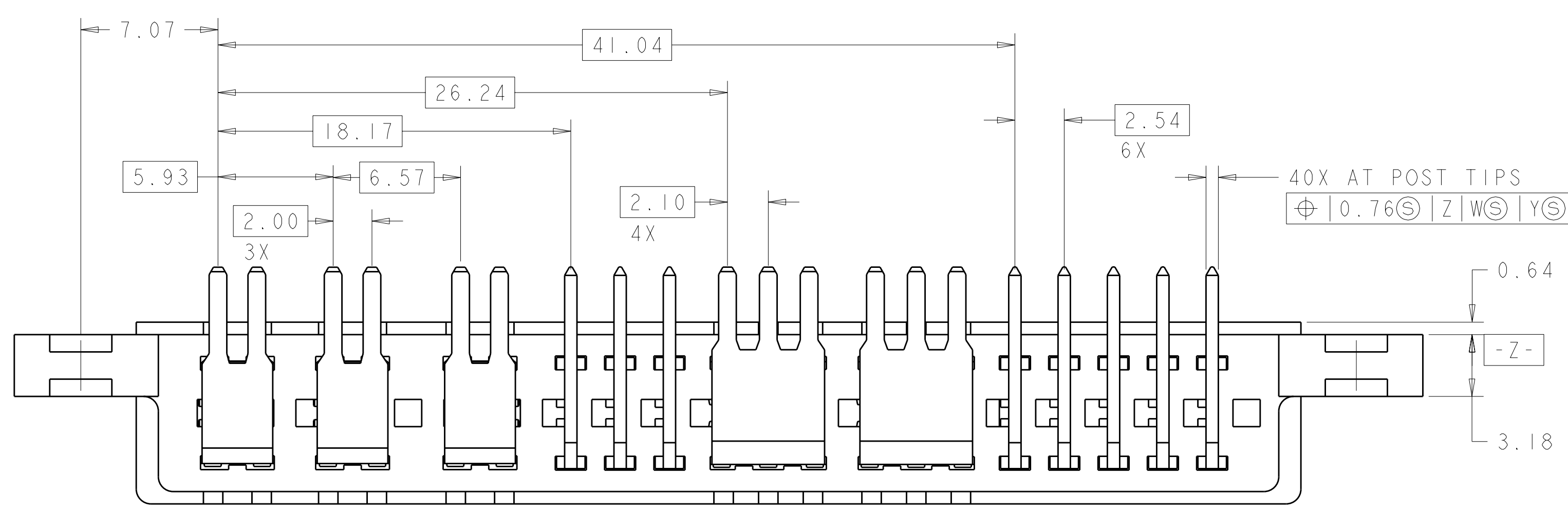


CARD SLOT ACCEPTS
 1.37-1.78
 PRINTED CIRCUIT BOARD
 -Y-



SECTION X-X

- 1 MATERIAL: INSULATORS - THERMOPLASTIC, GLASS REINFORCED, COLOR: BLACK, UL94V-0 FLAMMABILITY RATED.
 CONTACTS - HIGH CONDUCTIVITY COPPER ALLOY
- 2 FINISH: CONTACTS - GOLD PLATE 0.76µm MIN. THK., OVER NICKEL 1.27µm MIN. THK.
 SOLDER TAILS, MATTE TIN 2.54µm MIN. THK. OVER NICKEL 1.27µm MIN THK.
- 3 MARK P/N AND DATE CODE IN APPROX. AREA SHOWN
- 4 NO BURRS AND/OR SHARP EDGES ARE PERMISSIBLE
- 5 DATUMS AND BASIC DIMENSIONS ESTABLISHED BY CUSTOMER.

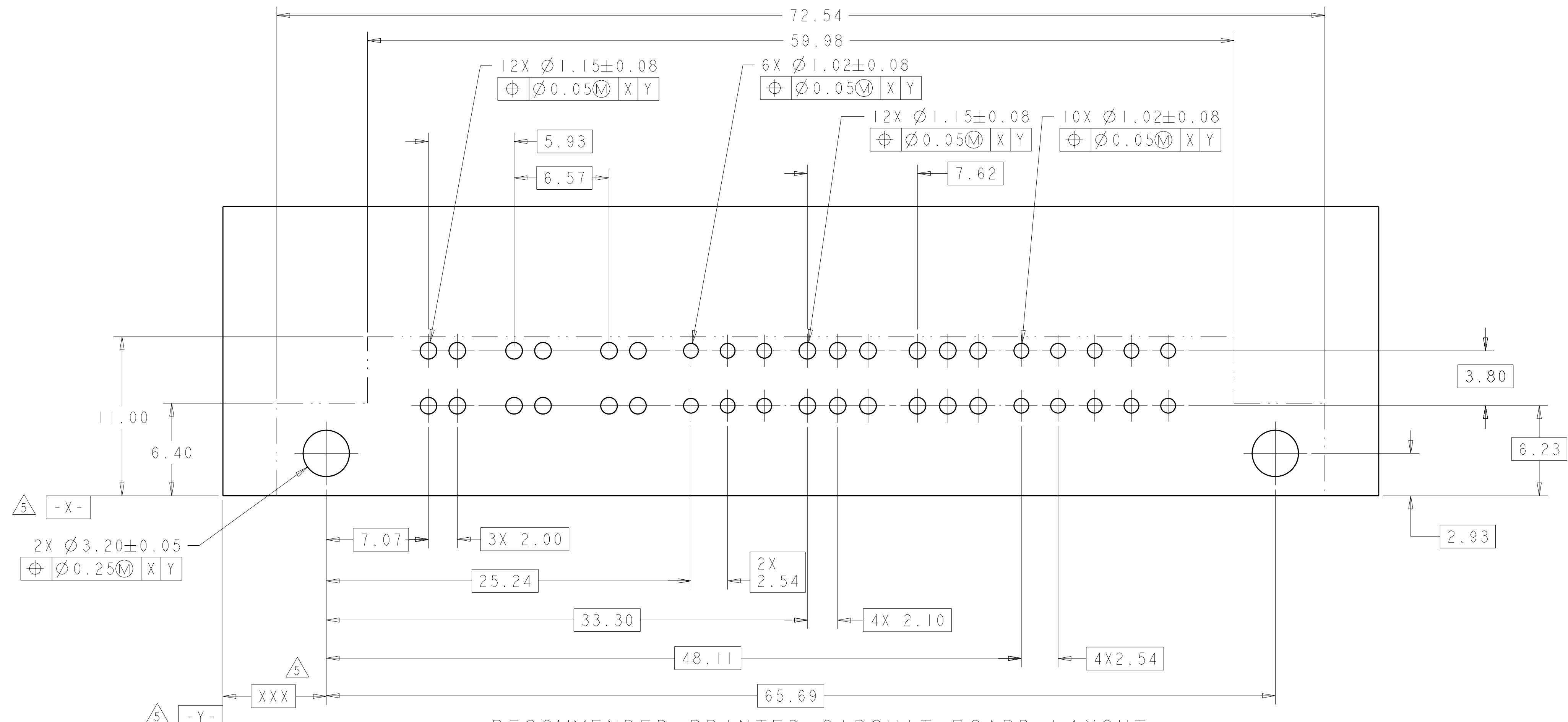


BACK VIEW

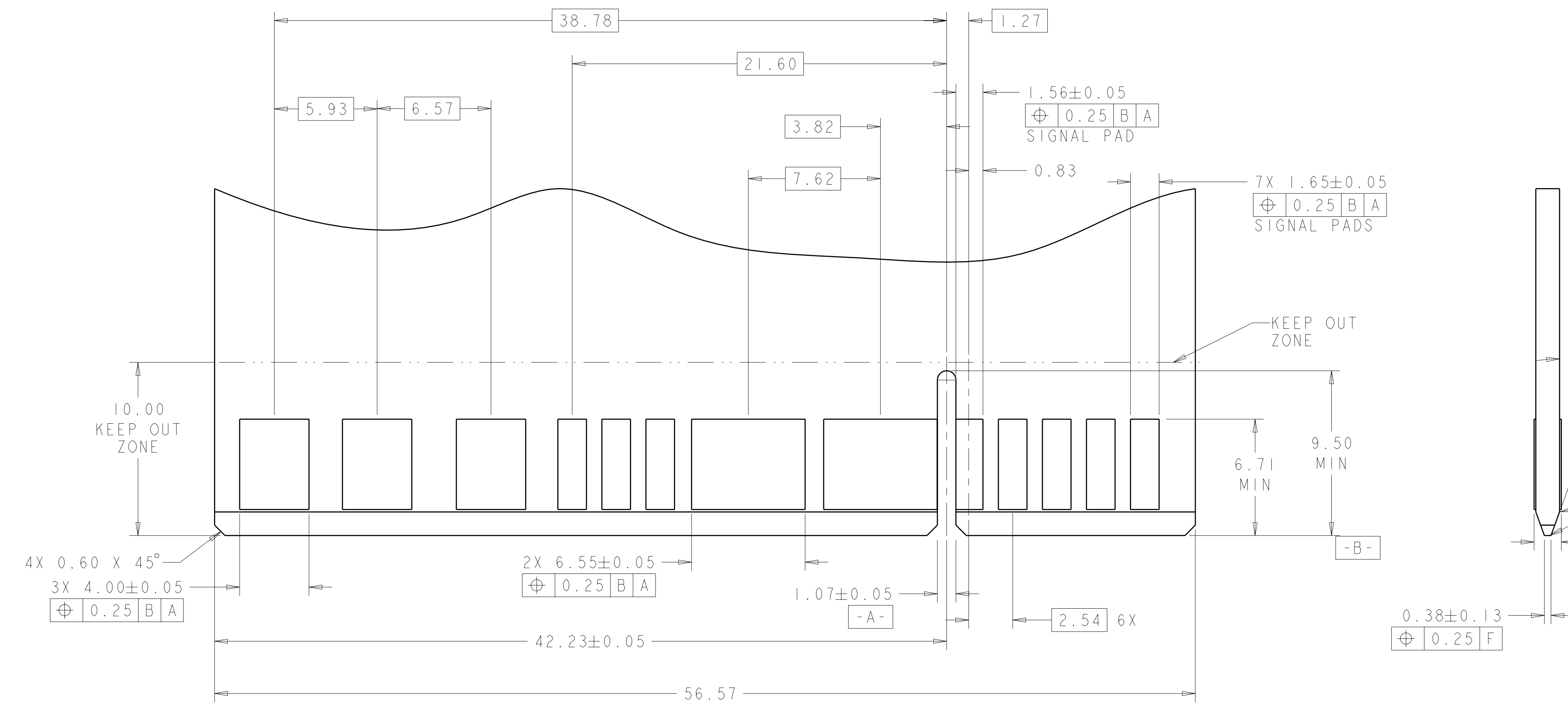
6P X 6S X 4P X 10S	2007445-1
DESCRIPTION	PART NUMBER

DIMENSIONS: mm TOLERANCES UNLESS OTHERWISE SPECIFIED: 9 PLC ±.25 5 PLC ±.25 4 PLC ±.25 ANGLES ±.3 FINISH: 1 (Material), 2 (Finish)		DWN: TBD CHK: A. FRANTUM APVD: S. FLICKINGER PRODUCT SPEC: 108-2022 APPLICATION SPEC: 114-13018 WEIGHT: - CUSTOMER DRAWING	NAME: S. FLICKINGER SIZE: A CAGE CODE: 100779 DRAWING NO: C=2007445 SCALE: 5:1 SHEET: 1 OF 2 REV: A	Tyco Electronics Harrisburg, PA 17105-3608 CONNECTOR ASSY, STANDARD EDGE 11 RIGHT ANGLE POWER
--	--	--	---	---

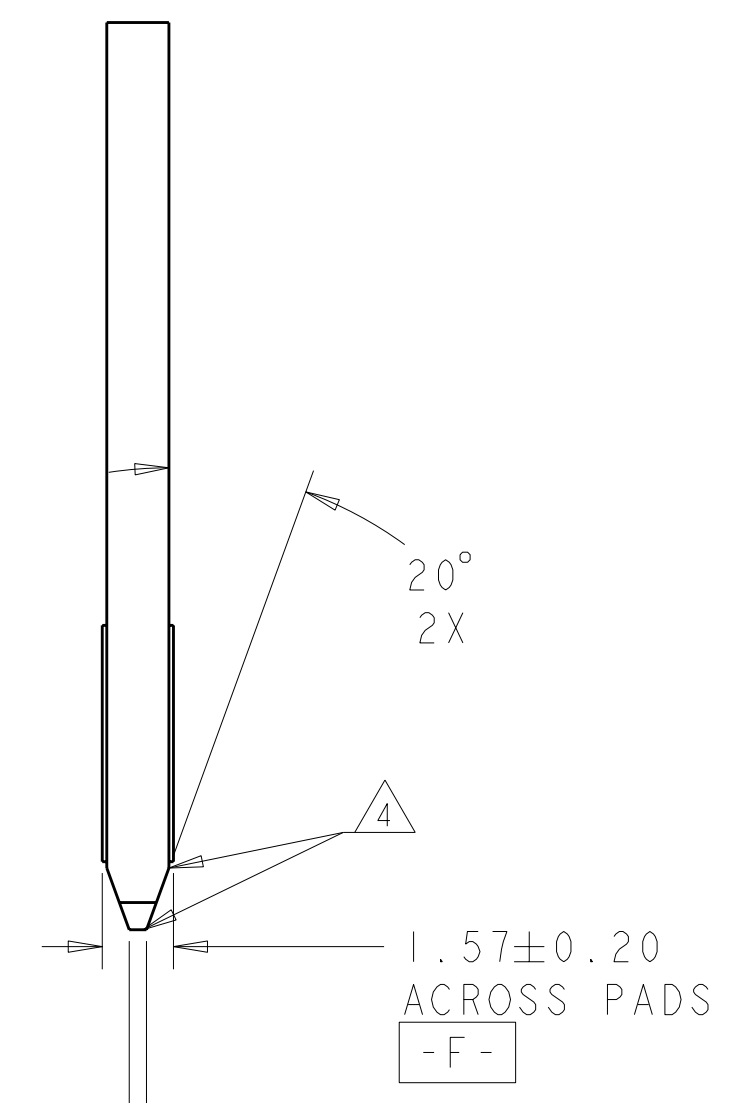
LOC	DIST	REVISIONS					
GP	00	P	LT#	DESCRIPTION	DATE	DWN	APVD
				SEE SHEET 1			



RECOMMENDED PRINTED CIRCUIT BOARD LAYOUT
 COMPONENT SIDE



RECOMMENDED MATING BOARD EDGE CONFIGURATION
 TYP. BOTH SIDES



DIMENSIONS:		TOLERANCES UNLESS OTHERWISE SPECIFIED:		DWN		Tyco Electronics	
mm	9 PLC ±	PLC	±	TBD	16MAY08	Tyco Electronics Harrisburg, PA 17105-3608	
	1 PLC ±.25	PLC	±.25	CHK	A. FRANTUM	NAME	
	2 PLC ±	PLC	±	APVD	S. SLICKINGER	CONNECTOR ASSY, STANDARD EDGE 11	
	3 PLC ±	PLC	±	PRODUCT SPEC	108-2022	RIGHT ANGLE	
	4 PLC ±	PLC	±	APPLICATION SPEC	114-13018	POWER	
	ANGLES ±.3	FINISH	±.3	SIZE	CAGE CODE	DRAWING NO	RESTRICTED TO
MATERIAL				WEIGHT		A1100779C=2007445	
				CUSTOMER DRAWING	SCALE	5:1	SHEET 2 OF 2 REV A