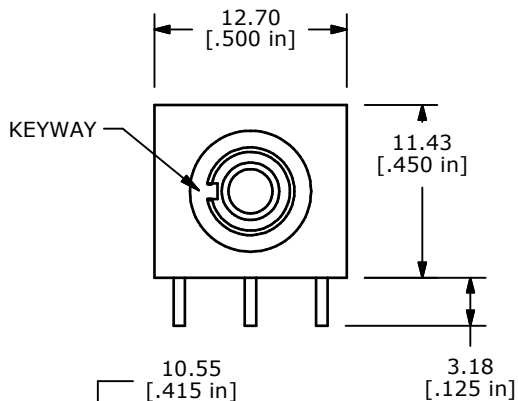
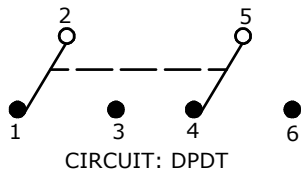
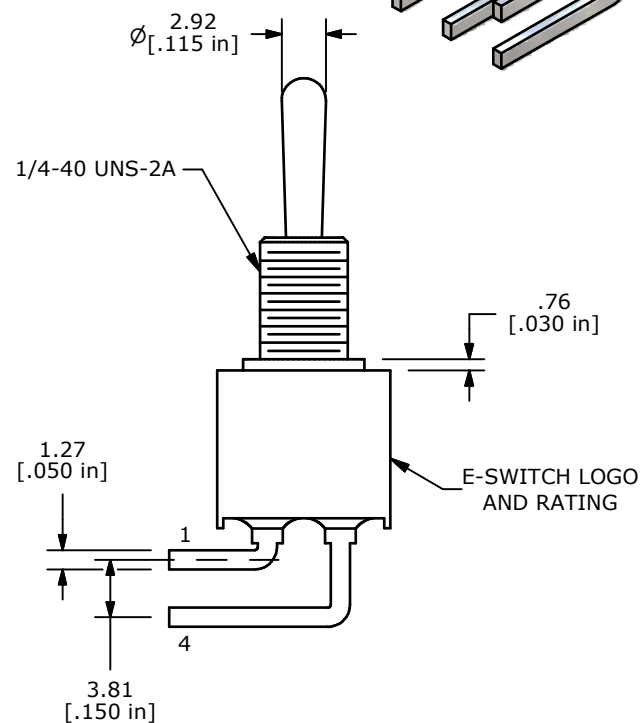
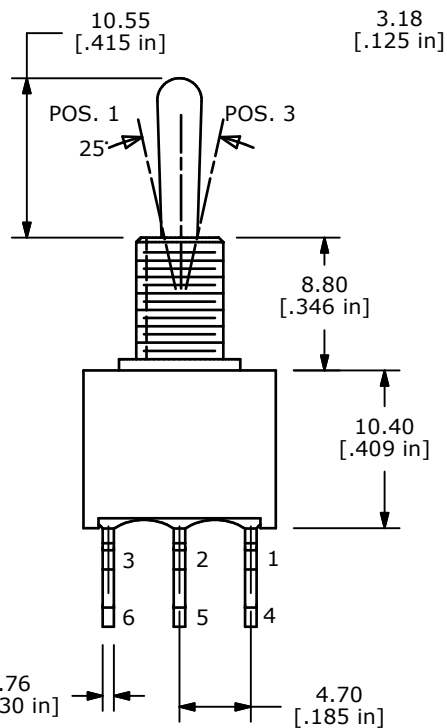
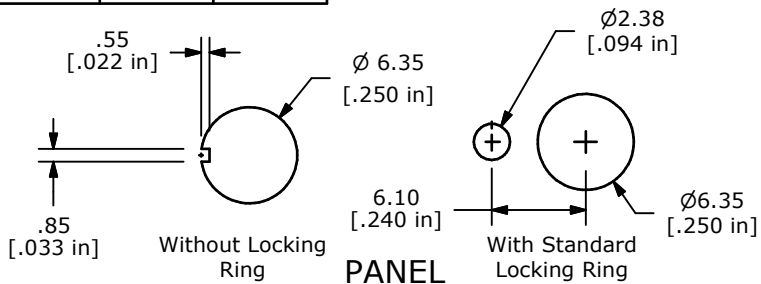
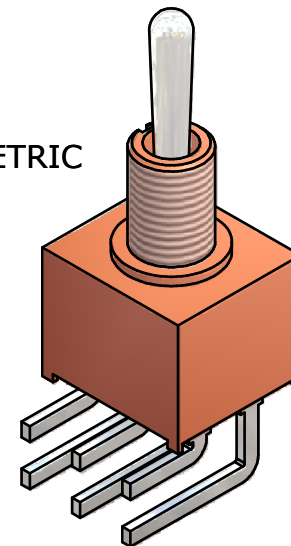


SWITCH FUNCTION		
POS. 1	POS. 2	POS. 3
ON	OFF	ON
2-3, 5-6	OPEN	2-1, 5-4



ISOMETRIC



NOTE:

1. ALL DIMENSIONS IN MM [INCH]
2. GENERAL TOLERANCE: X.X=±0.4  
X.XX=±0.25
3. TERMINAL NUMBERS FOR REF ONLY
- ▲ 4. PLATING MATERIAL: SILVER
5. RATING: 5A @120VAC (or 28VDC)  
2A @250VAC
6. CONTACT RESISTANCE: 10 Milli-OHMS MAX.
7. LIFE EXPECTANCY: 30,000 MAKE-AND-BREAK CYCLES AT FULL LOAD.
8. INSULATION RESISTANCE: 1,000 Mega-OHM MIN.
9. DIELECTRIC STRENGTH: 1,000 V RMS @SEA LEVEL.
10. OPERATING TEMP.: -30°C to 85°C
- ▲ 11. DENOTES CRITICAL PARAMETER.
12. 2002/95/EC (ROHS) COMPLIANT.
10. HARDWARE TO BE SHIPPED BULK

- T100000 - HEXNUT - QTY 2
- T100011 - LOCKWASHER - QTY 1
- T100015 - LOCKRING - QTY 1



TITLE 100AWDP3T1B1M6QE

A	19008	Release For Production	4/16/10	BLR
REV	PCR NO	DESCRIPTION	DATE	BY

SCALE	DATE	DR	DWG	REV
2:1	4/16/2010	BLR	ST102318	A

THE INFORMATION CONTAINED IN THIS DOCUMENT IS PROPRIETARY TO E-SWITCH AND IS NOT TO BE COPIED OR TRANSFERRED