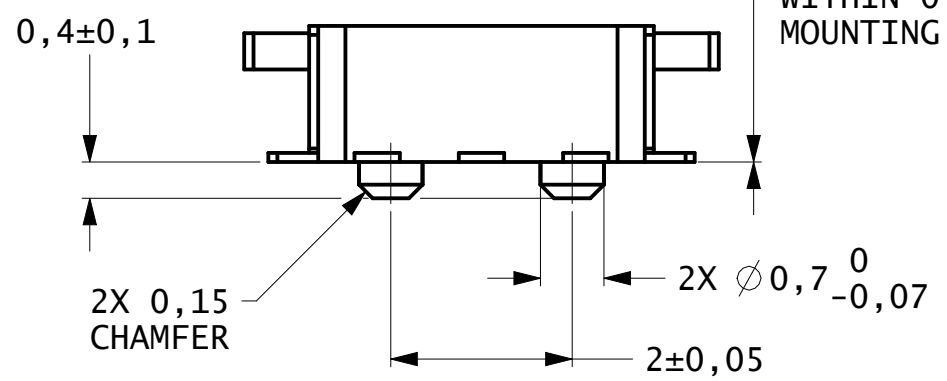
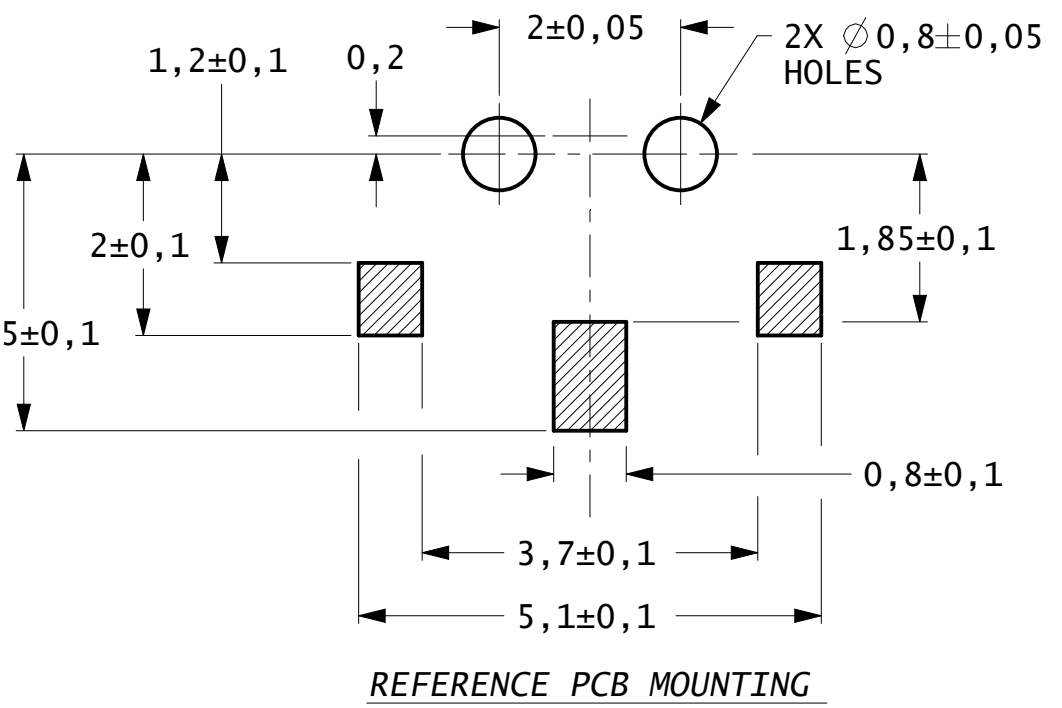
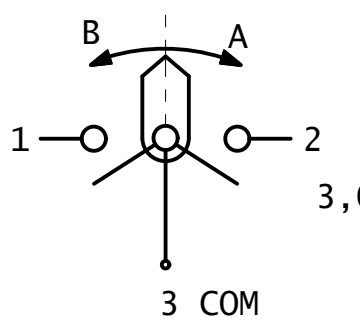
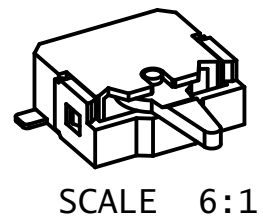
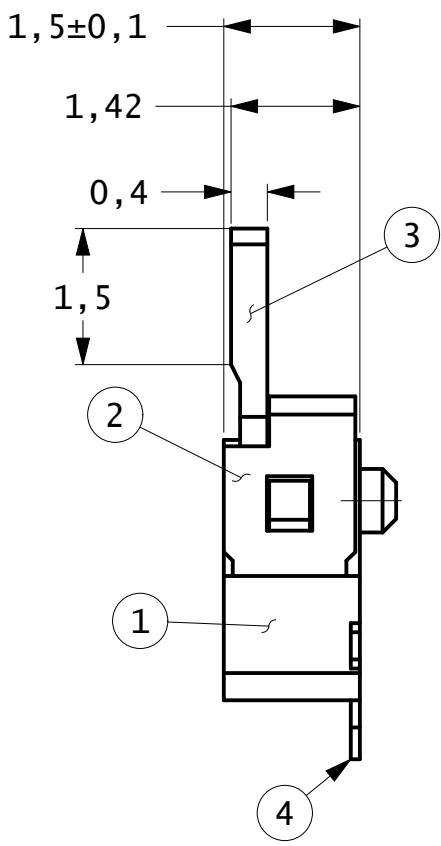
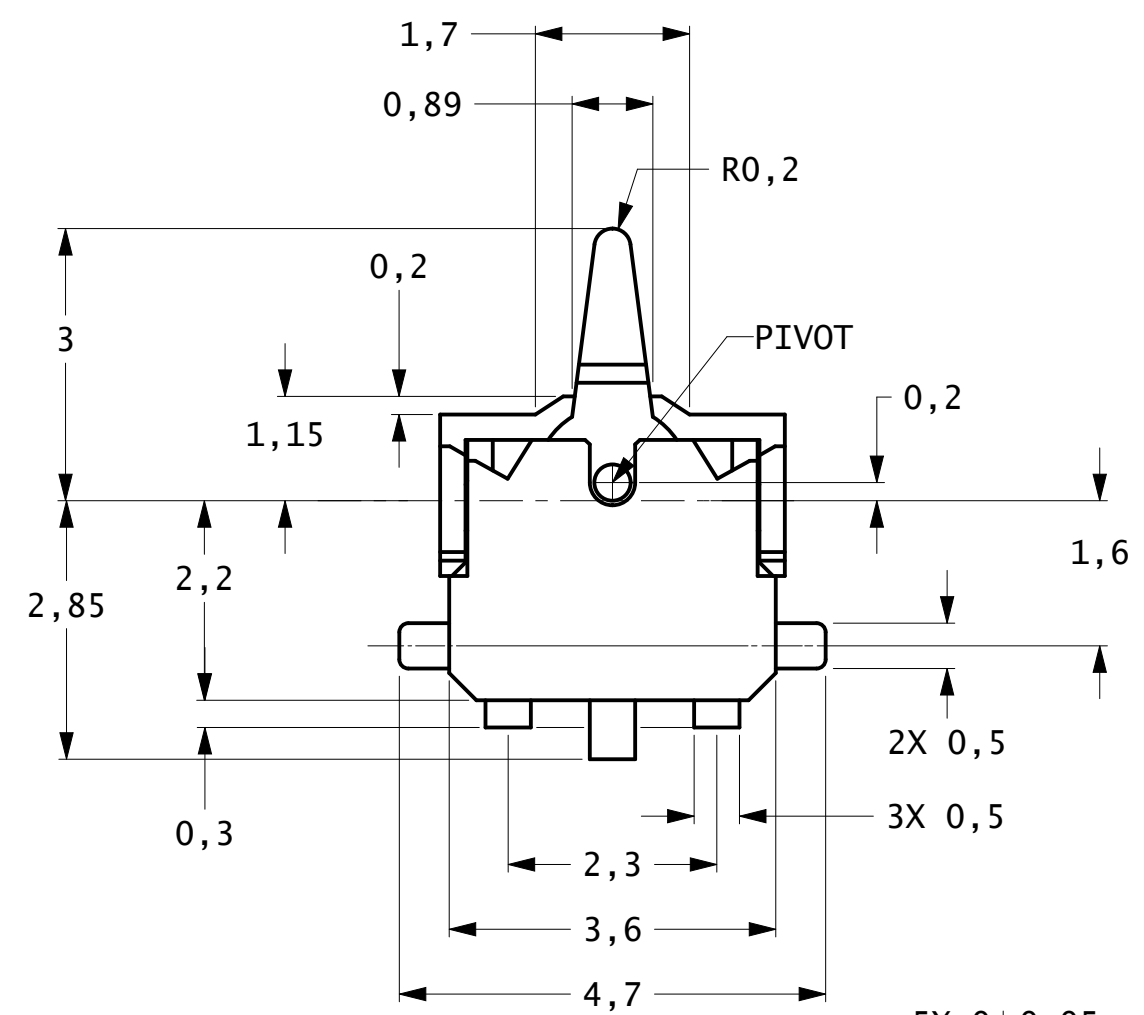


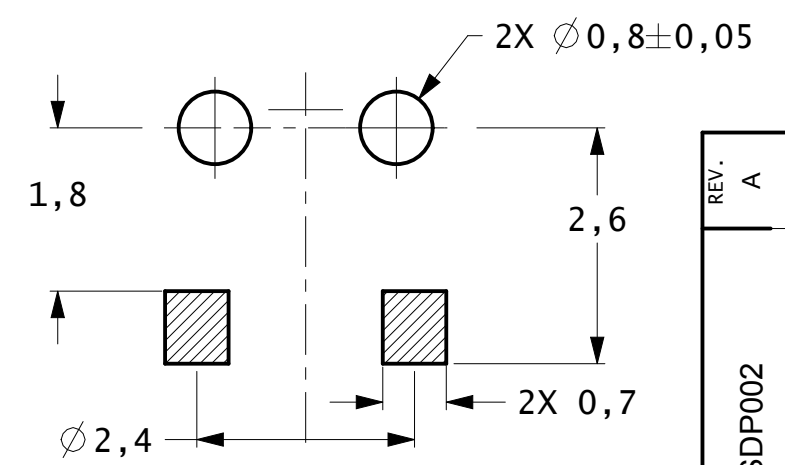
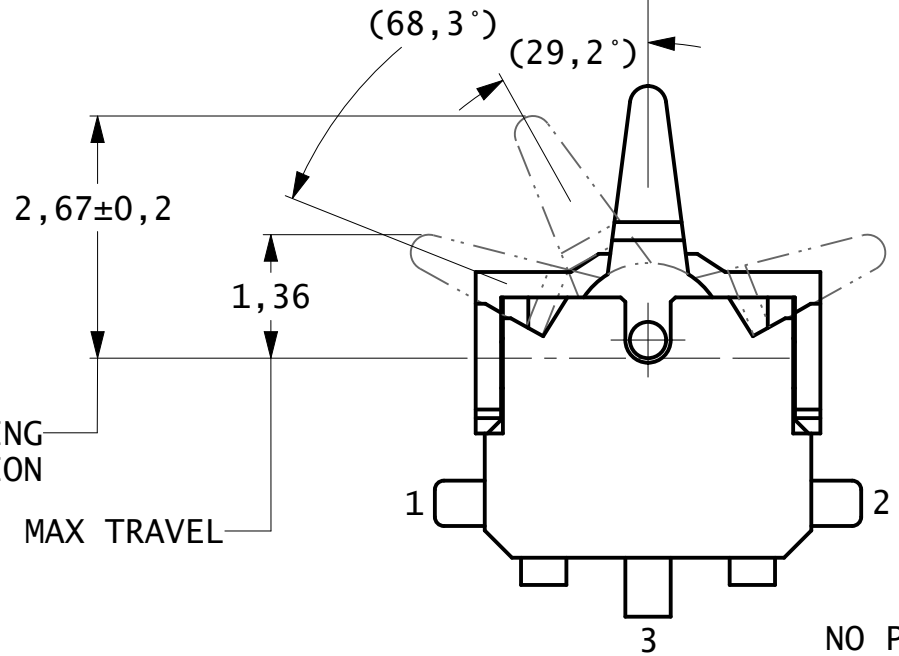
REVISIONS			SDP002		A
ECN	SYM	DESCRIPTION	DATE	APPROVAL	
11061	A	RELEASED TO PRODUCTION	9/25/12 JT		



5X 0±0,05  
TERMINAL HEIGHT  
WITHIN 0,08 TO  
MOUNTING SURFACE

ON STARTING  
POSITION

MAX TRAVEL



NO PCB TRACES SHALL BE PLACED IN SHADED AREAS

CAD FILE NO.: SDP002-OL\_A

No	DESCRIPTION	MATERIAL	FINISH	COLOR
1	BASE	LCP		BLACK
2	COVER	PA		BLACK
3	ACTUATOR	PA		BLACK
4	TERMINALS	COPPER ALLOY	MBNi - Ag	
5	MOVEABLE	IRON ALLOY	MFNi - Ag	

ALL DIMS. AND TOLS.  
PER ANSI Y14.5

THIS DOCUMENT AND THE INFORMATION  
IN IT IS THE EXCLUSIVE PROPERTY OF  
C&K COMPONENTS, INC., AND IS NOT  
TO BE USED OR DISCLOSED WITHOUT THE  
EXPRESS WRITTEN PERMISSION OF  
C&K COMPONENTS.

UNLESS OTHERWISE SPECIFIED DIMENSIONS ARE IN MM	
TOLERANCES	
LINEAR	ANGULAR
± 0,2	± 3,0
SCALE	DATE
12:1	22-Jan-10
DRAWN	APPROVED
CAB	

OUTLINE DRAWING

SDP002

SDP-SERIES

REF NO. N\_SDP-SERIES

SDP002

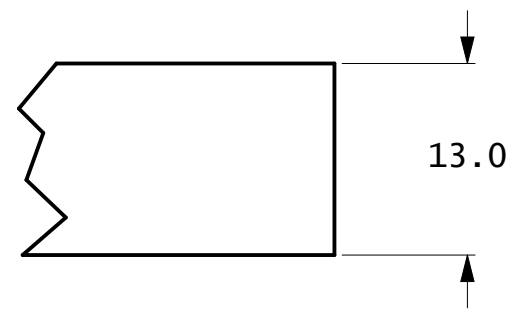
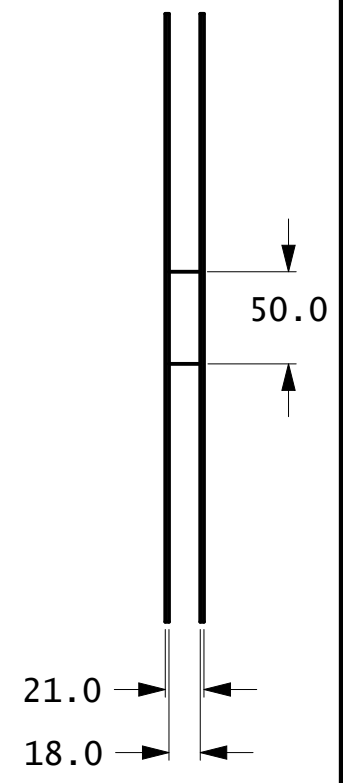
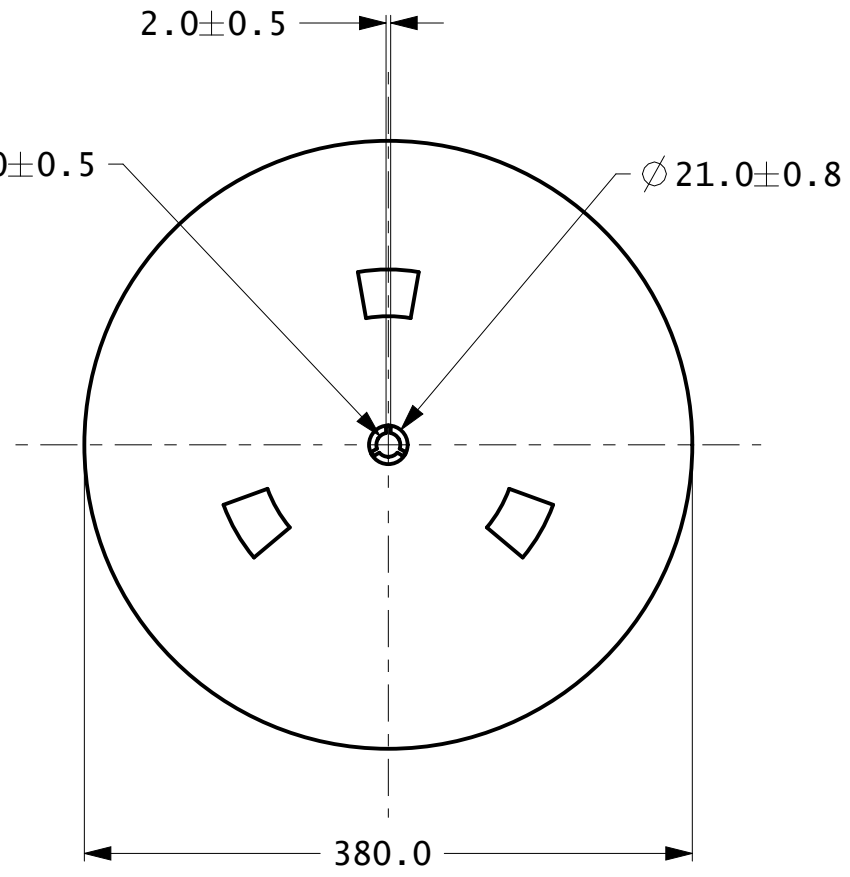
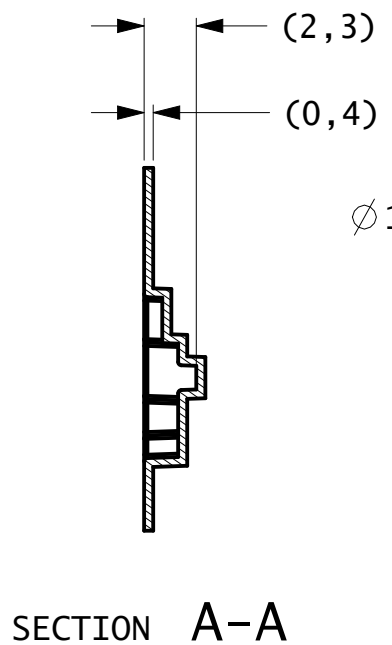
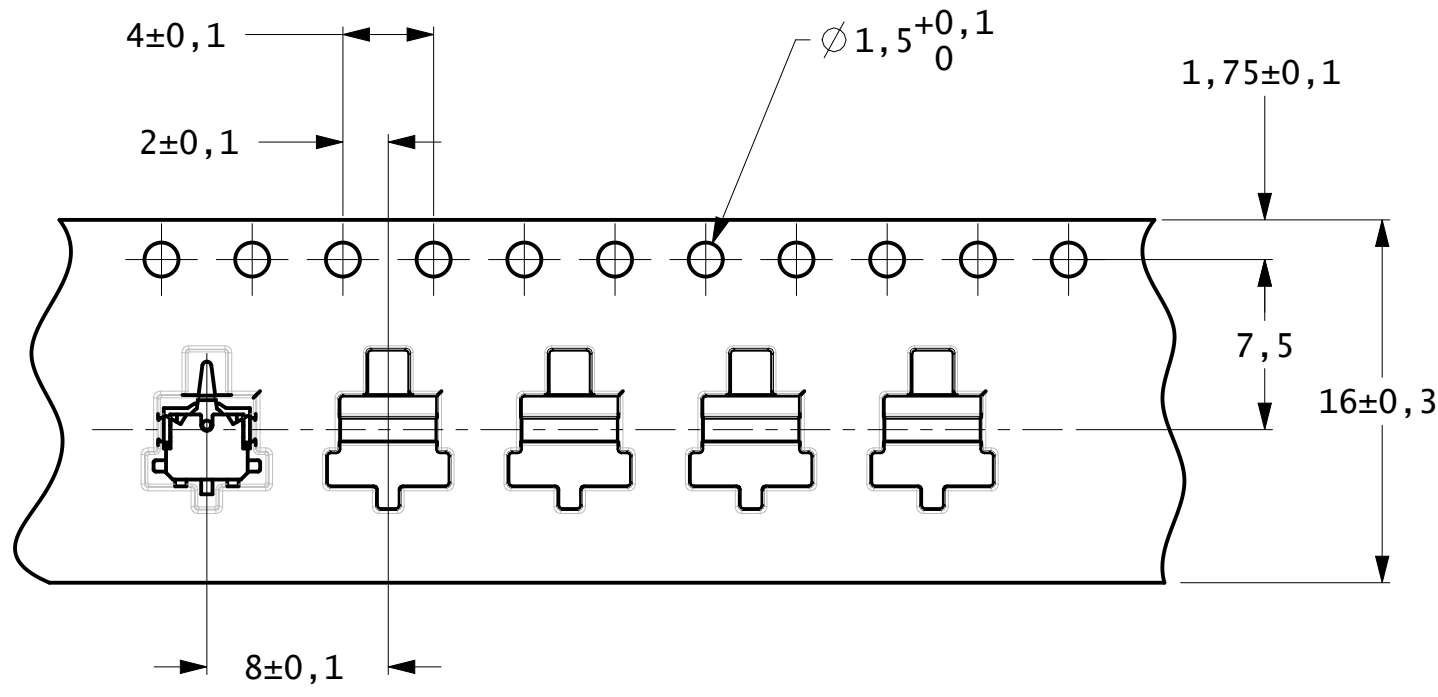
REV. A

SHT. NO. 1 OF 2

REV. A

SDP002

REVISIONS			SDP002	A
ECN	SYM	DESCRIPTION	DATE	APPROVAL
		SEE PAGE 1		



COVER TAPE

REEL  
NOT TO SCALE

- NOTES:
1. PACKAGE QUANTITY: 4,550 PCS/REEL.
  2. THE REEL CARRIER TAPE WILL HAVE A LEAD OF 29 EMPTY COMPONENT POCKETS AND AN END OF 29 EMPTY COMPONENT POCKETS ON EVERY REEL. ALL EMPTY COMPONENT POCKETS WILL BE SEALED WITH COVER TAPE.
  3. AFTER THE LEAD, NO REEL CARRIER TAPE SHALL HAVE MORE THAN TWO CONSECUTIVE EMPTY COMPONENT POCKETS.
  4. THIS PART IS RoHS COMPLIANT AND MEETS ALL REQUIREMENTS OF RoHS DIRECTIVE 2002/95/EC

CAD FILE NO.: SDP002-OL\_A

ALL DIMS. AND TOLS. PER ANSI Y14.5	UNLESS OTHERWISE SPECIFIED DIMENSIONS ARE IN MM	
	TOLERANCES	
THIS DOCUMENT AND THE INFORMATION IN IT IS THE EXCLUSIVE PROPERTY OF C&K COMPONENTS, INC., AND IS NOT TO BE USED OR DISCLOSED WITHOUT THE EXPRESS WRITTEN PERMISSION OF C&K COMPONENTS.	LINEAR	ANGULAR
	± 0,38	± 3,0
<input checked="" type="checkbox"/> CRITICAL - MUST COMPLY WITH C&K QUALIFICATION STD. CKQI0019 <input type="checkbox"/> MAJOR DIMENSION	SCALE	DATE
	3:1	25-Jan-10
	DRAWN	APPROVED
	CAB	

OUTLINE DRAWING  
SDP002  
SDP-SERIES

**C&K**  
COMPONENTS

REF NO. N\_SDP-SERIES

SDP002      REV. A

SHT.NO. 2 OF 2

REV. A  
SDP002