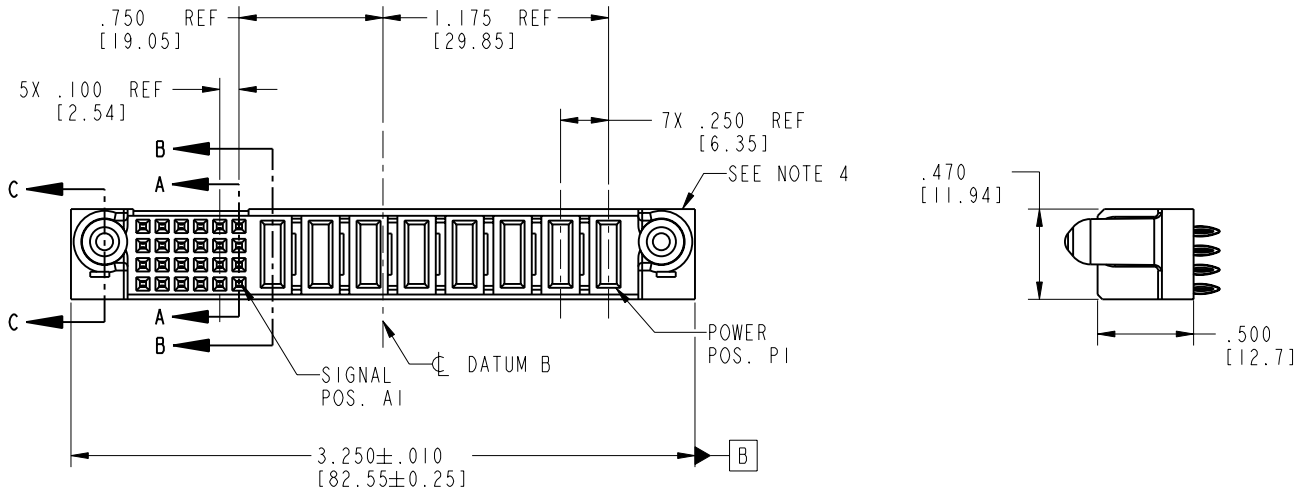


Tous droits strictement réservés. Reproduction ou communication o des liens interdite sous quelque forme que ce soit sans autorisation écrite du propriétaire. Propriété de c FCI. Droits de reproduction FCI.

All rights strictly reserved. Reproduction or issue to third parties in any form, whenever is not permitted without written authority from the proprietor. Property of FCI. Copyright FCI.



PRODUCT NO.	ROWS	SIGNAL					POWER										
		E2	6	5	4	3	2	1	P8	P7	P6	P5	P4	P3	P2	P1	E1
51752-011-- NOTE: 3	D C B A		F	F	F	F	F	PF	PF	PC	PC	PC	PC	PC	PF	PF	



CODE	DIM "M" MATING LENGTH	CONTACT TYPE
F	N/A [N/A]	SIGNAL
PC	.042 [1.07]	POWER
PF	.092 [2.34]	POWER

mat'l code SEE NOTE 2				tolerances unless otherwise specified		CUSTOMER		www.fciconnect.com	
ltr	ecn no.	dr	date	linear	.XX±.01/0.X±0.3	COPY			
A	V04-0667	TAB	06/28/04		.XXX±.005/0.XX±0.13	projection			
B	V04-0735	TAB	07/21/04	angles	.XXX±.0020/0.XXX±0.051				
C	V04-0994	TAB	10/04/04		0°±2°	INCH/MM			
D	DG06-0055	JMG	02/16/06	dr	T. BRUNGARD 06/28/04	scale			
				engr	M. GRAY 06/28/04	1:1			
				chr	M. GRAY 06/28/04	product family			
				appd	M. GRAY 06/28/04	PwrBlade			
sheet index		revision sheet		D	D	D	D	code	213
				1	2	3	4	size	dwg no
								A	51752-011
								sheet	1 of 4

cage code 22526

Pro/E

PDM: Rev:D

STATUS: Released

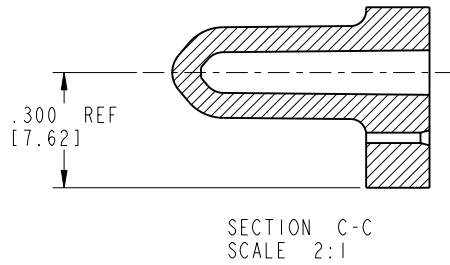
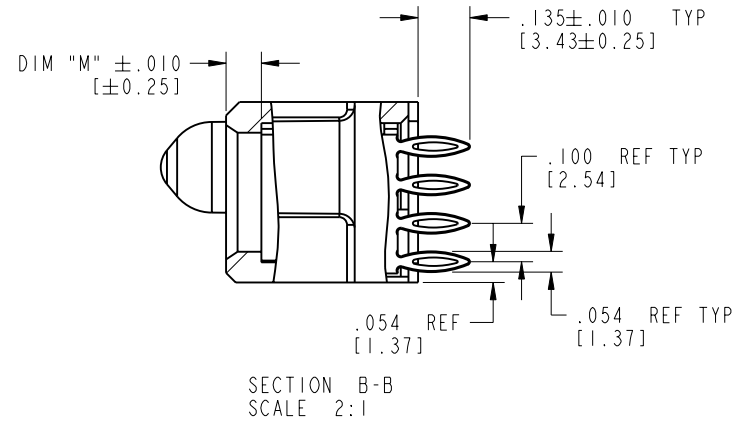
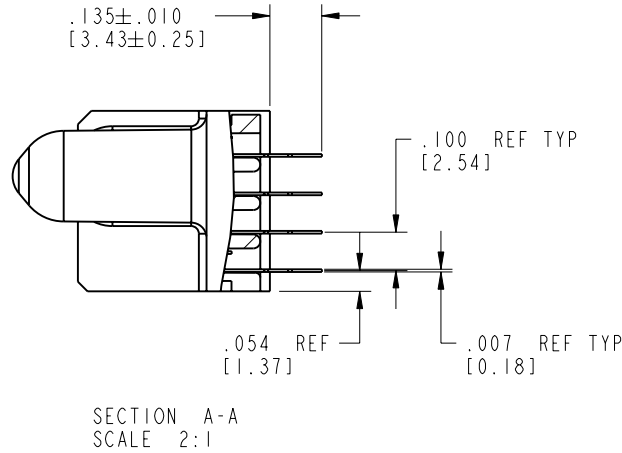
Printed: Dec 20, 2010

Tous droits strictement réservés. Reproduction ou communication o des liers interdite sous quelque forme que ce soit sans autorisation écrite du propriétaire. Propriete de c FCI. Droits de reproduction FCI.

All rights strictly reserved. Reproduction or issue to third parties in any form whatever is not permitted without written authority from the proprietor. Property of FCI. Copyright FCI.

PRODUCT NUMBER

51752-011__
NOTE: 3



mat'l code		SEE NOTE 2		tolerances unless otherwise specified		CUSTOMER		 www.fciconnect.com	
lfr	ecn no.	dr	date	linear	.XX±.01/0.X±0.3	COPY			
D				projection	.XXX±.005/0.XX±0.13			title	8P + 24S
				angles	.XXX±.0020/0.XXX±0.051			VERTICAL PRESS-FIT RECEPT	
				dr	T. BRUNGARD 06/28/04	INCH/MM		product family	PwrBlade
				engr	M. GRAY 06/28/04	scale		code	213
				chr	M. GRAY 06/28/04	1:1		size	dwg no
				appd	M. GRAY 06/28/04			A	51752-011
sheet index	revision sheet								sheet
									2 of 4

cage code 22526

Pro/E

PDM: Rev:D

STATUS: Released

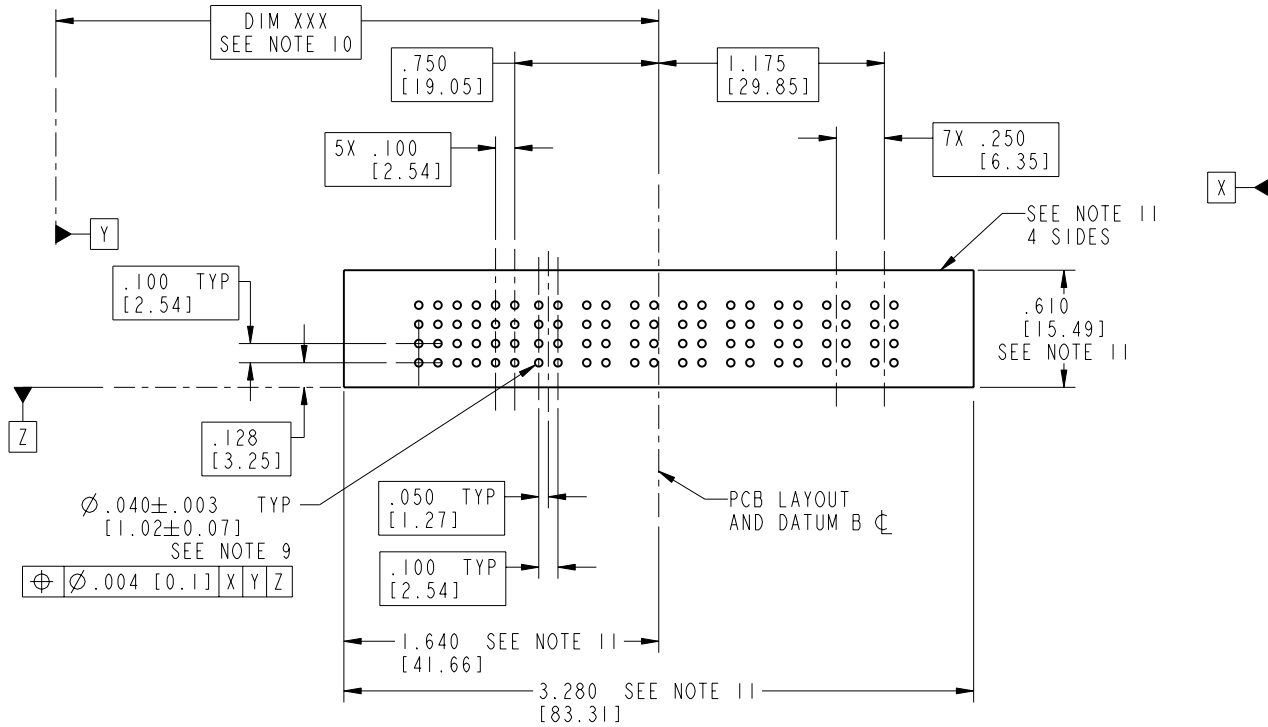
Printed: Dec 20, 2010

Tous droits strictement réservés. Reproduction ou communication o des liers interdite sous quelque forme que ce soit sans autorisation écrite du propriétaire. Propriété de c FCI. Droits de reproduction FCI.



All rights strictly reserved. Reproduction or issue to third parties in any form, whatever is not permitted without written authority from the proprietor. Property of FCI. Copyright FCI.

PRODUCT NUMBER
51752-011--
NOTE: 3



mat'l code		SEE NOTE 2		tolerances unless otherwise specified		CUSTOMER		 www.fciconnect.com	
lfr	ecn no.	dr	date	linear	.XX±.01/0.X±0.3	projection	COPY		
D				angles	.XXX±.005/0.XX±0.13		title 8P + 24S		
				dr	.XXX±.0020/0.XXX±0.051	INCH/MM	VERTICAL PRESS-FIT RECEPT		
				engr	T. BRUNGARD 06/28/04	scale	product family PwrBlade		code
				chr	M. GRAY 06/28/04	1:1	size		213
				appd	M. GRAY 06/28/04		dwg no		sheet
sheet index		revision sheet				A		3 of 4	
						51752-011			

cage code 22526

Pro/E

PDM: Rev:D

STATUS: Released

Printed: Dec 20, 2010

Tous droits strictement reserves. Reproduction ou communication o des liers interdite sous quelque forme que ce soit sans autorisation ecrite du proprietaire. Propriete de c FCI. Droits de reproduction FCI.



All rights strictly reserved. Reproduction or issue to third parties in any form, whatever is not permitted without written authority from the proprietor. Property of FCI. Copyright FCI.

PRODUCT NUMBER

51752-011__
NOTE: 3

NOTES:

1. DIMENSIONS AND TOLERANCES ARE IN ACCORDANCE WITH ASME Y14.5M, 1994 UNLESS OTHERWISE SPECIFIED.

CONNECTOR NOTES:

- 2 HOUSING MATERIAL: UL 94 V-0 GLASS FILLED
HIGH-TEMP THERMOPLASTIC
POWER CONTACT MATERIAL: COPPER ALLOY
SIGNAL PIN MATERIAL: COPPER ALLOY
 - 3. 51752-011;51752-011LF;51752-011GLF PLATING SPEC. SEE PRINT:10064183
 - 4 MANUFACTURER'S NAME, P/N, AND DATE CODE TO APPEAR ON THIS SURFACE.
 - 5. PRODUCT SPECIFICATION GS-12-149.
APPLICATION SPECIFICATION BUS-20-067.
 - 6. PACKAGED IN TRAYS.
- PCB NOTES:
- 7. ALL HOLE DIAMETERS ARE FINISHED HOLE SIZE.
 - 8 MOUNTING HOLES, WHERE APPLICABLE, ARE UNPLATED.
 - 9 $\varnothing .0453 \pm .0010$ [1.151 \pm 0.025] DRILLED HOLES PLATED WITH .0003 [0.008] MIN SnPb OVER .001 [0.03] TO .003 [0.08] Cu PLATING TO ACHIEVE $\varnothing .040 \pm .003$ [1.02 \pm .07] HOLE.
 - 10 "DIM XXX" TO BE DETERMINED BY THE CUSTOMER.
 - 11 CONNECTOR KEEP-OUT ZONE.

mat'l code		SEE NOTE 2		tolerances unless otherwise specified		CUSTOMER		www.fciconnect.com	
lfr	ecn no.	dr	date	linear	.XX±.01/0.X±0.3	COPY			
D				linear	.XXX±.005/0.XX±0.13	projection		title	8P + 24S
				angles	.XXX±.0020/0.XXX±0.051			VERTICAL PRESS-FIT RECEPT	
				dr	T. BRUNGARD 06/28/04	INCH/MM		product family	PwrBlade
				enrg	M. GRAY 06/28/04	scale		code	213
				chr	M. GRAY 06/28/04	1:1		size	dwg no
				appd	M. GRAY 06/28/04			A	51752-011
sheet index	revision sheet							sheet	4 of 4

cage code 22526

Pro/E