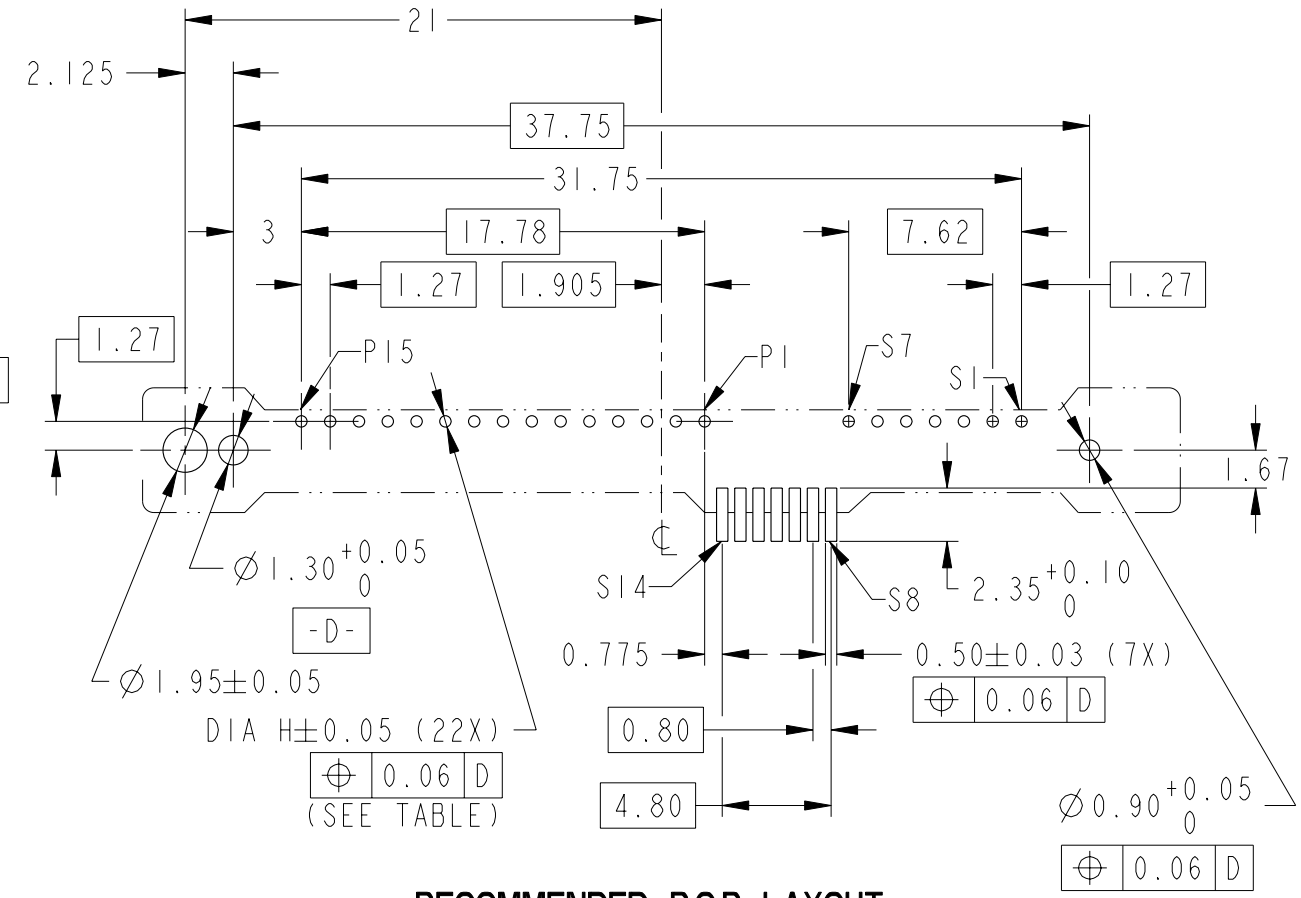
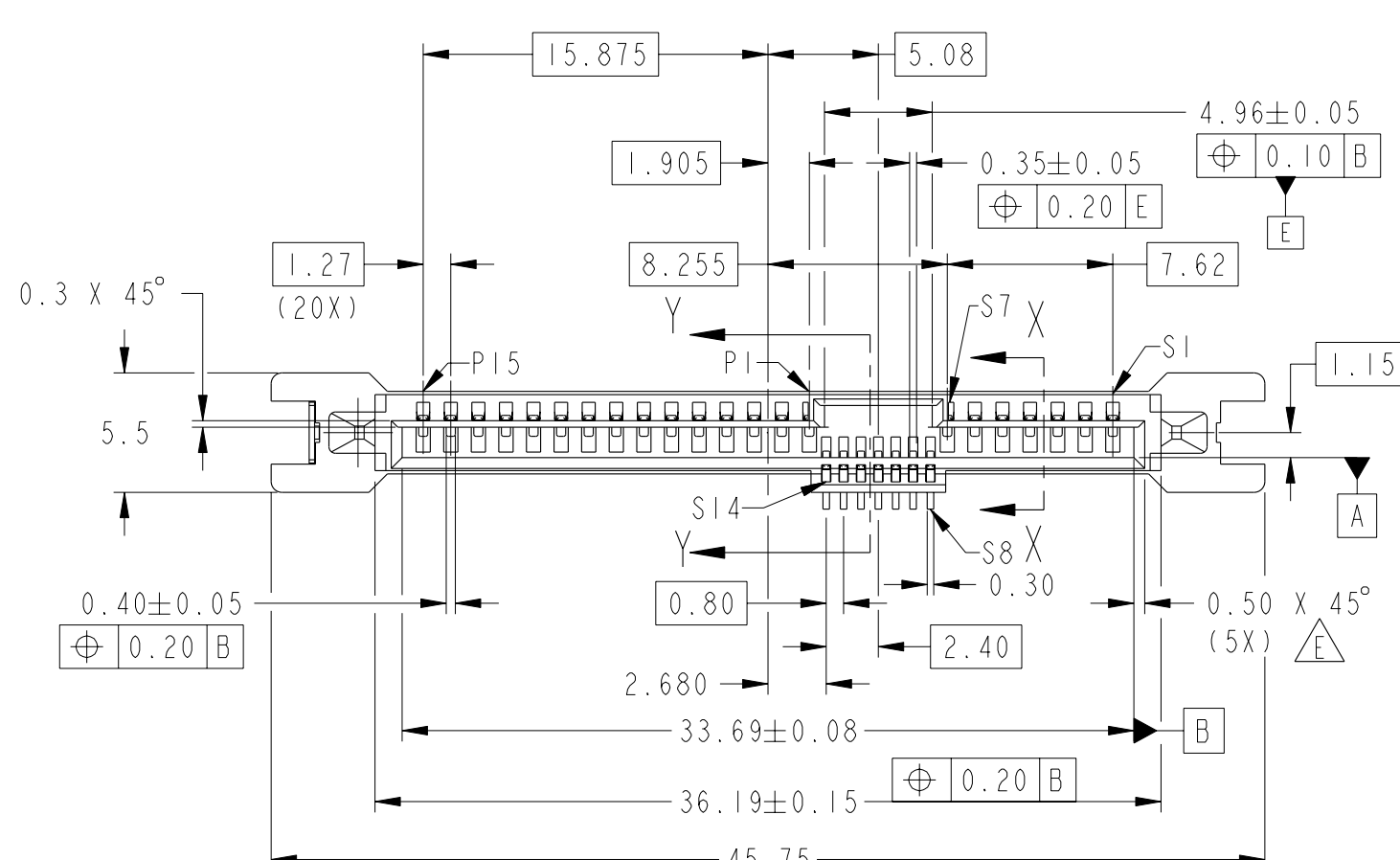
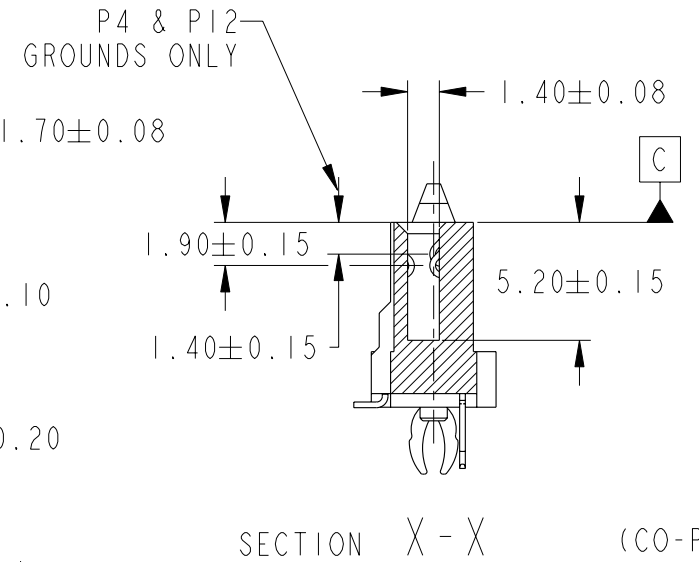
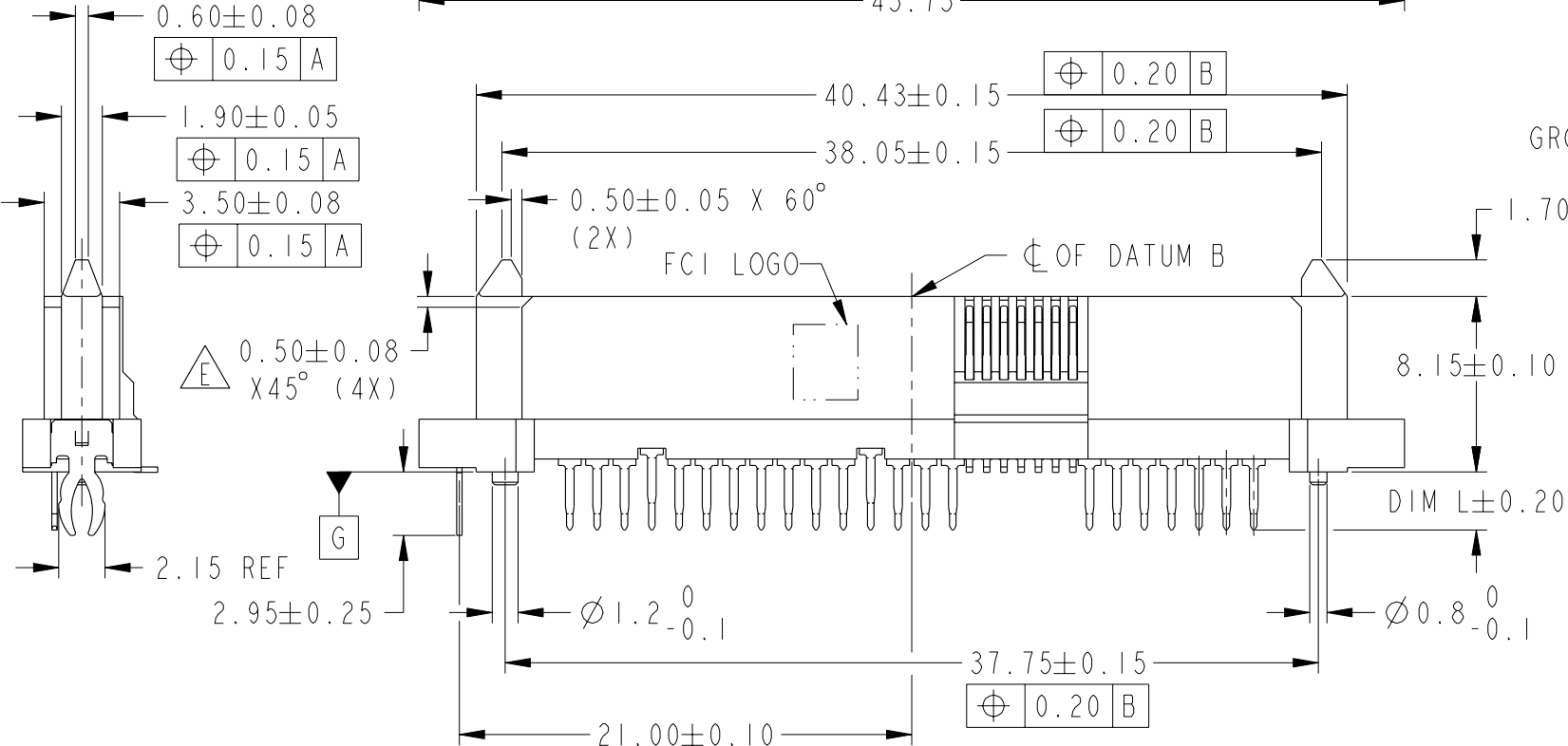


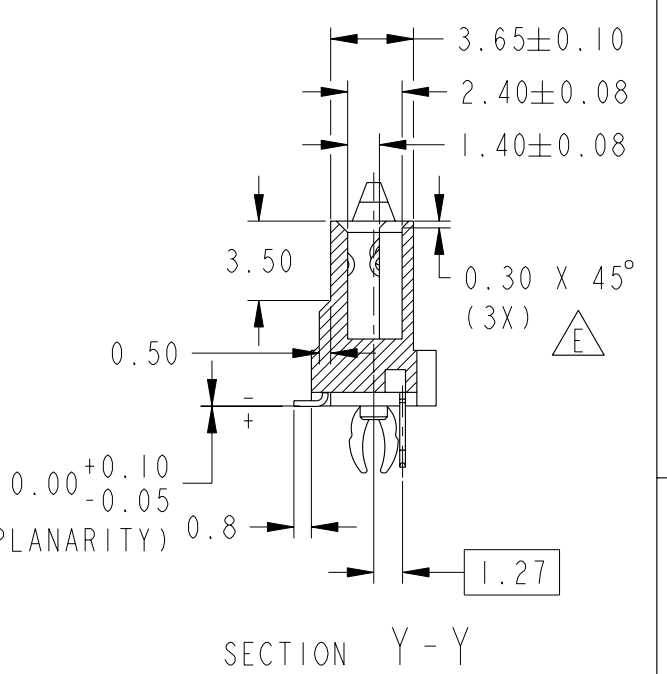
PRODUCT NO	DIM L	METAL CLIP	RECOMMENDED P.C. BOARD THICKNESS	DIA "H"
10036312-001LF	2.70	1 PC	1.57mm (0.062") / 2.36mm (0.093")	0.50/ 0.65/ 0.80



RECOMMENDED P.C.B LAYOUT



SECTION X-X

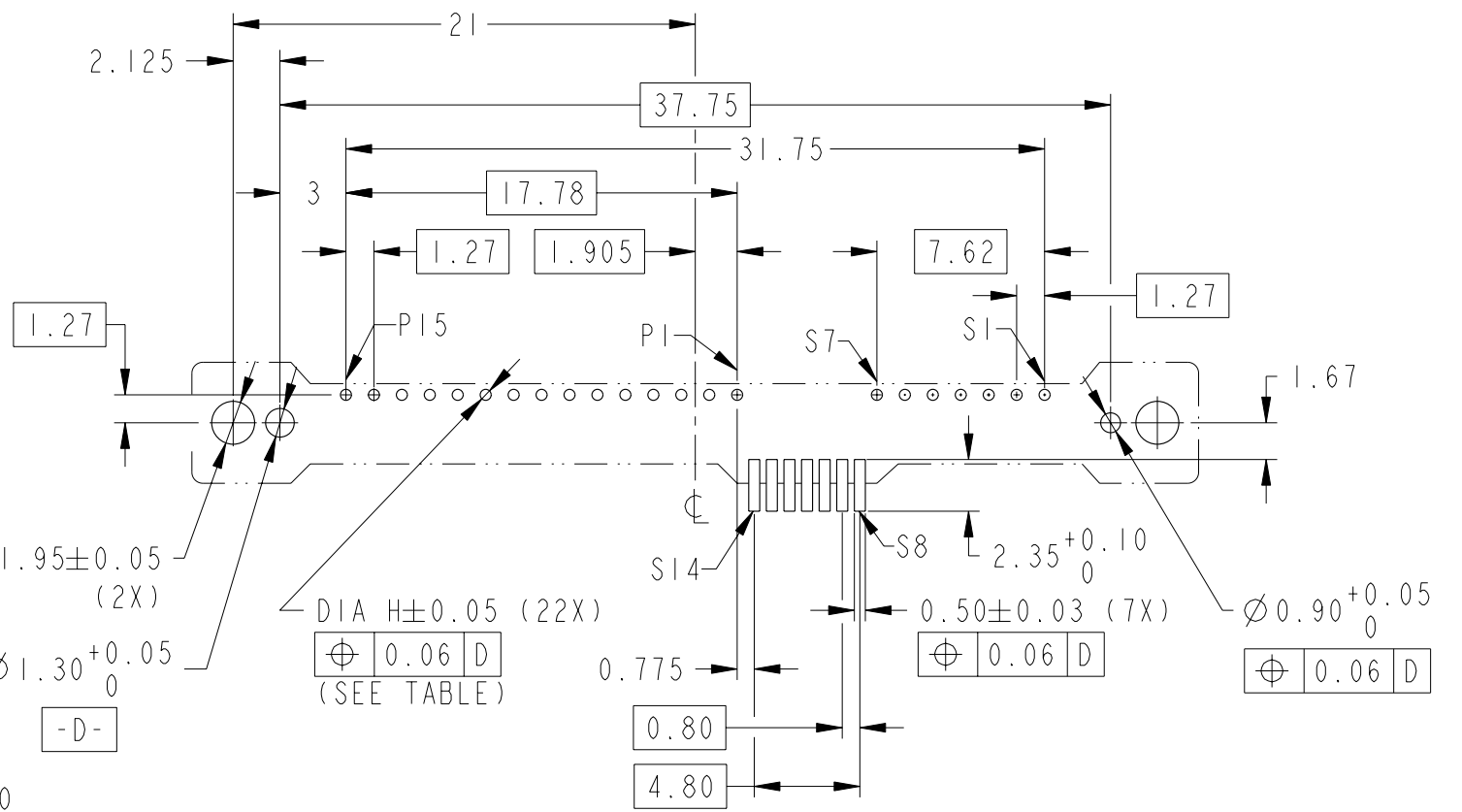
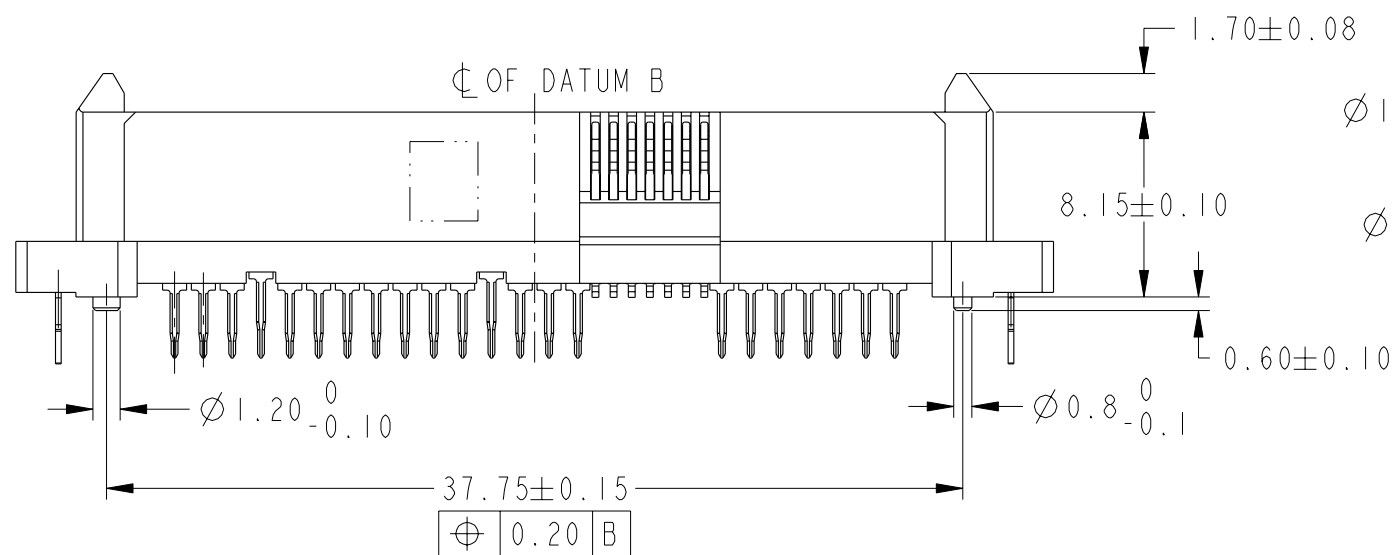
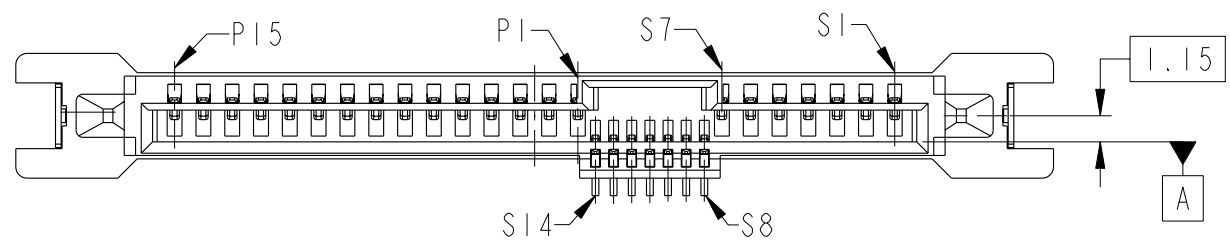


SECTION Y-Y

Copyright FCI.

spec ref	-	dr	GL LOO	2004-09-23	projection	MM	size	A3	scale	3:1
tolerance std	ISO 406 ISO 1101	eng	GL LOO	2004-09-23			ecn no	S10-0228	rel level	-
TOLERANCES UNLESS OTHERWISE SPECIFIED		chr	GL LOO	2010-10-28						
surface	ISO 1302	appr	JOEY NG	2010-10-28			dwg no	10036312	rev	E
							cat. no.	-	Product - Customer Drw	sheet 1 of 3

PRODUCT NO	DIM L	METAL CLIP	RECOMMENDED P.C. BOARD THICKNESS	DIA "H"
10036312-002LF	2.70	2 PCS	1.57mm (0.062") / 2.36mm (0.093")	0.50/ 0.65/ 0.80



RECOMMENDED P.C.B LAYOUT

NOTES:

ALL OTHER DIMENSIONS, REFER TO SHEET 1 AND 2.

spec ref	-	dr	GL LOO	2004-09-23	projection	MM	size	A3	scale	3:1
tolerance std	ISO 406 ISO 1101	eng	GL LOO	2004-09-23			ecn no	S10-0228		
	TOLERANCES UNLESS OTHERWISE SPECIFIED	chr	GL LOO	2010-10-28			rel level	-		
surface	ISO 1302	appr	JOEY NG	2010-10-28	product family	SAS		rel level	-	
	linear	0.X	± -		SAS RECEPTACLE			dwg no 10036312	rev	
		0.XX	±0.20		HYBRID TYPE ASSY				E	
	angular	0°	±2°		cat. no. -				Product - Customer Drw	
					www.fci.com	Product - Customer Drw		sheet 2 of 3		



Copyright FCI.

A

B

C

D

A

B

C

D

NOTES:

1. MATERIAL :

- 1) HOUSING : HIGH TEMP THERMOPLASTIC, UL 94V-0
- COLOR : BLACK
- 2) TERMINAL : COPPER ALLOY
- 3) HOLD DOWN : COPPER ALLOY

2. FINISH :

- 1) TERMINAL : 30μ" Au PLATING (CONTACT POINT) OVER 50μ" NICKEL
- 2) SOLDER TAIL : 50μ" MIN Sn OVER 50μ" NICKEL
- 3) HOLD DOWN : 50μ" MIN Sn OVER 50μ" NICKEL

③ PER SFF REV 1.1

4. THE STD PACKAGING IS IN TRAY.

5. THE HOUSING WILL WITHSTAND EXPOSURE TO 260°C PEAK TEMPERATURE FOR 10 SECONDS IN A CONVECTION INFRA-RED OR VAPOR PHASE REFLOW OVEN.

⑥ THIS PRODUCT MEETS EUROPEAN UNION DIRECTIVES AND OTHER COUNTRY REGULATIONS AS DESCRIBED IN GS-22-008.

⚠ ⑦ PART NUMBERS ENDING IN "LF" MEANS FOR NOTE 6 LEAD FREE IDENTIFICATION. ~~P/N XXXXXXXX XXXLF IS EQUIVALENT TO PREVIOUS P/N XXXXXXXX-XXX.~~

⚠ ⑧ A ⚠ SYMBOL WILL BE NEXT TO ANY DIMENSION, VIEW, OR NOTE WHICH HAS BEEN MODIFIED WITH THE CURRENT DRAWING REVISION.



Copyright FCI.

spec ref -		dr	GL LOO	2004-09-23	projection 	MM 	size	A3	scale	3:1		
tolerance std ISO 406 ISO 1101		TOLERANCES UNLESS OTHERWISE SPECIFIED					eng	GL LOO	2004-09-23	ecn no S10-0228		
		chr	GL LOO	2010-10-28			product family		SAS		rel level -	
surface	✓	linear	0.X	± -		title SAS RECEPTACLE HYBRID TYPE ASSY	dwg no 10036312	rev E	ISO 1302			
			0.XX	±0.20					cat. no. -		Product - Customer Drw	
		angular	0°	±2°					www.fci.com		sheet 3 of 3	