

MODEL:

SRCOOL60KCW

In-Row Precision Chilled Water Cooler



60 kW



Intelligent
Temperature Control



User-Friendly
Interface



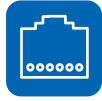
Alarm System



Multi-Speed/Hot-Swap
Fans



Lockable Doors/
Side Panels



Network Interface

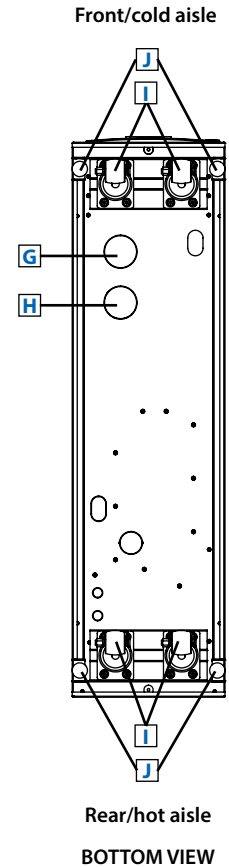
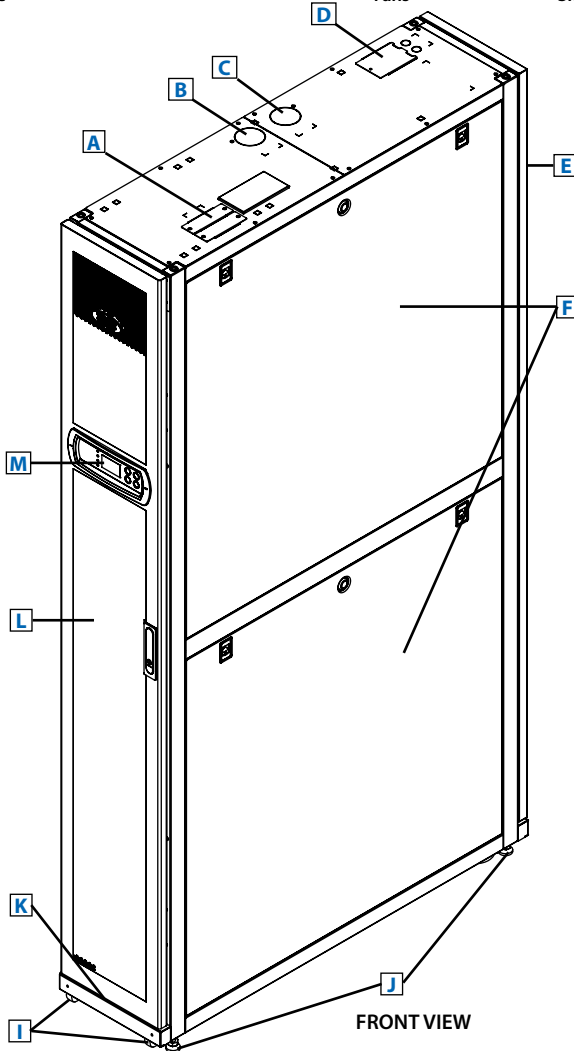
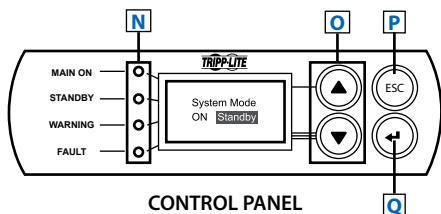
External

- A** Wiring Access
- B** Upper Outlet Access
- C** Upper Inlet Access
- D** Input Power Terminal Block
- E** Rear Door (Removable)
- F** Insulated Side Panels (4)
(Lockable/Removable)
- G** Lower Inlet Access
- H** Lower Outlet Access
- I** Casters
- J** Levelers
- K** Level
- L** Front Door (Lockable)
- M** Control Panel

Control Panel

- N** Operational Status LEDs
- O** Arrow Buttons
- P** "ESC" Button
- Q** Enter Button

See following pages for internal
and piping system views.



NOM



Specifications

Model	SRCOOL60KCW
Cooling Capacity (Max.)	60 kW / 204,000 BTU
Phase, Frequency, Input Voltage	1~, 50/60 Hz, 208-230V ± 10%
Power Consumption (Max.)	2.41 kW
Air Volume	7,500 m ³ /h (264,860 ft. ³ /h)
Rated Chilled Water Flow Rate	80 Lpm (17.6 gal./min.)
Display	HMI: LCD 64 x 128 pixels and four LED indicators
Unit Dimensions (H x W x D)	78.74 x 11.81 x 42.91 in. / 2000 x 300 x 1090 mm
Shipping Dimensions (H x W x D)	86.02 x 17 x 50.4 in. / 2185 x 431.8 x 1280 mm
Unit Weight	412 lb. / 187 kg
Shipping Weight	555.57 lb. / 252 kg
Standards	Tested to UL 1995 5TH ED., IEC 60950-1; CSA C22.2; EN55022, EN 55024, FCC 47 and ANSI C63.4:2014, ISED ICES-003; NOM

- Accurately detects and manages temperature and output
- Provides 60 kW (204,000 BTU) of cooling capacity
- Locks securely to prevent unauthorized access
- User-friendly LED indicators and control panel
- Supports optional remote management via Ethernet

SEE PAGE 3 FOR DETAILED UNIT MEASUREMENTS



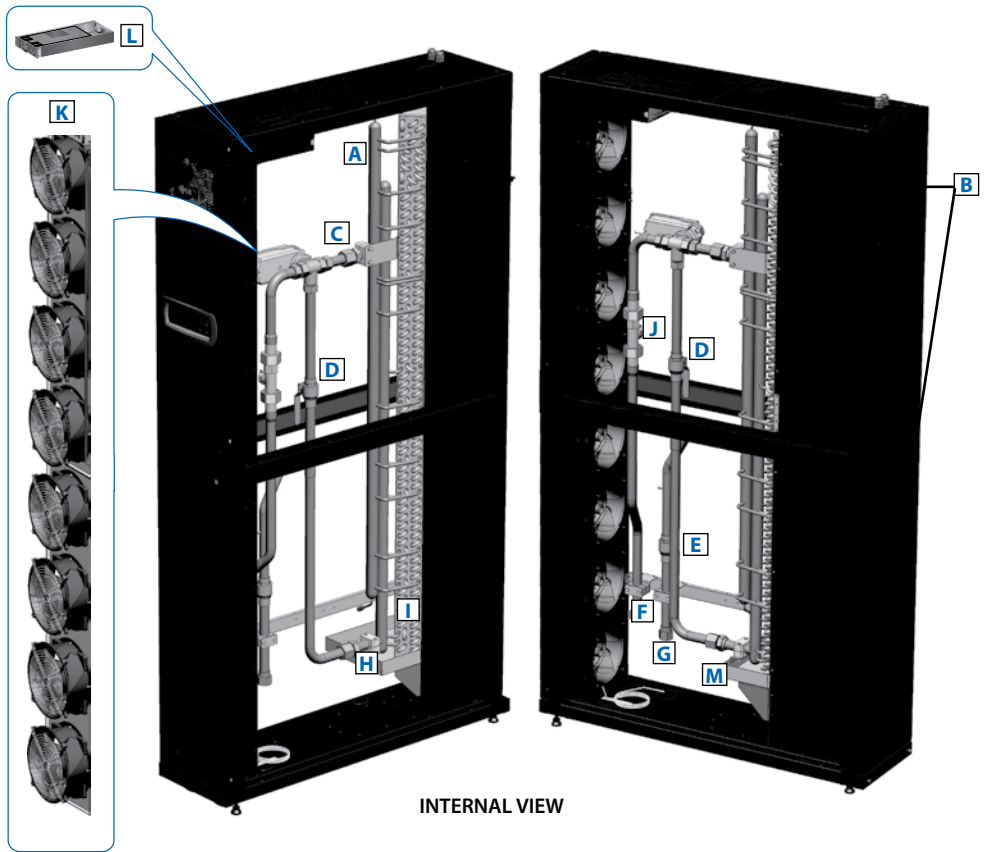
1111 W. 35th Street
Chicago, IL 60609 USA
773.869.1234
www.tripplite.com

Internal

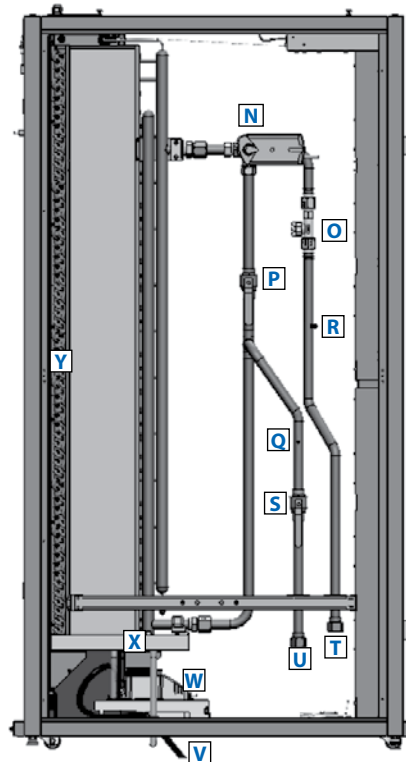
- A** Outlet Water Pipe Manual Exhaust Valve
- B** Filters
- C** Three-Way Ball Valve and Actuator
- D** Bypass Valve
- E** Inlet Shut-Off Valve
- F** Outlet Connector
- G** Inlet Connector
- H** Condensed Water Pan
- I** Coils
- J** Flow Meter
- K** Fans
- L** Power Supply Unit
(Each on Front and Rear Side of Unit)
- M** Level Switch
(Located In Water Pan)

Piping System

- N** Three-Way Ball Valve and Actuator
- O** Flow Meter
- P** Bypass Valve
- Q** Inlet Water Temperature Sensor
- R** Outlet Water Temperature Sensor
- S** Inlet Shutoff Valve
- T** Outlet Connector
- U** Inlet Connector
- V** Condensed Water Drain Pipe
- W** Condensed Water Pump
- X** Condensed Water Pan
- Y** Coils

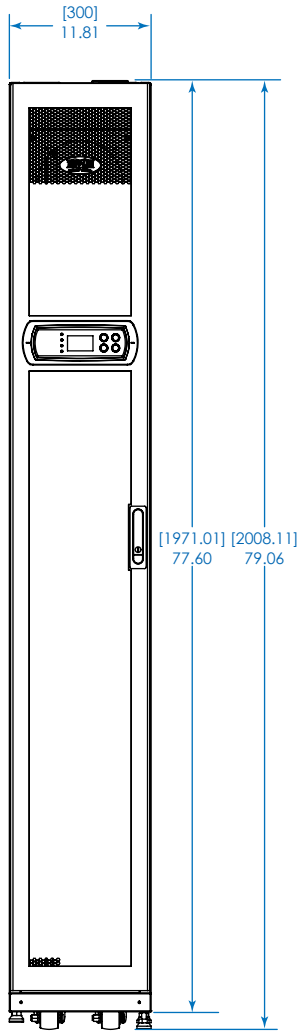


INTERNAL VIEW

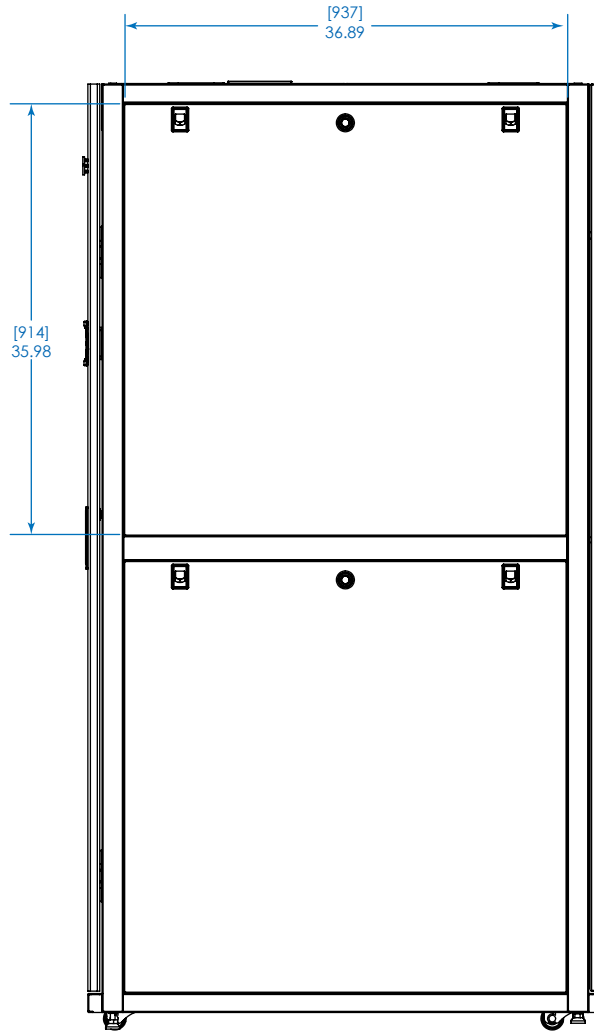


PIPING SYSTEM

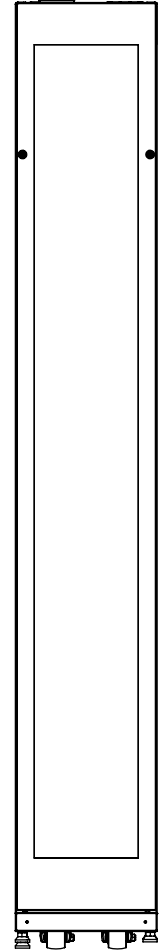
MODEL:
SRCOOL60KCW



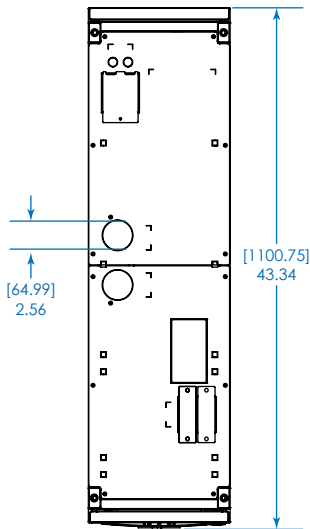
FRONT VIEW



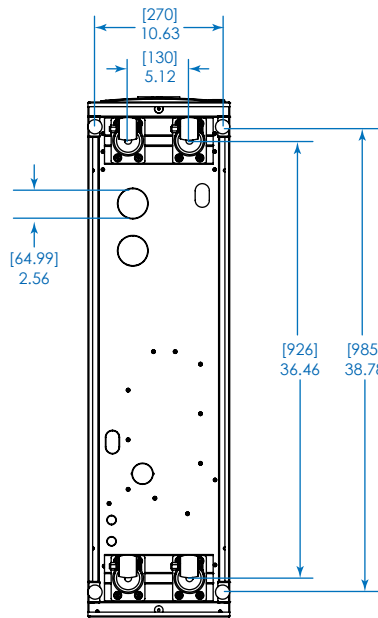
SIDE VIEW



REAR VIEW



TOP VIEW



BOTTOM VIEW

Dimensions: [mm] INCHES

Tripp Lite has a policy of continuous improvement. Specifications are subject to change without notice.

MODEL:
SRCOOL60KCW



1111 W. 35th Street
Chicago, IL 60609 USA
773.869.1234

www.triplite.com