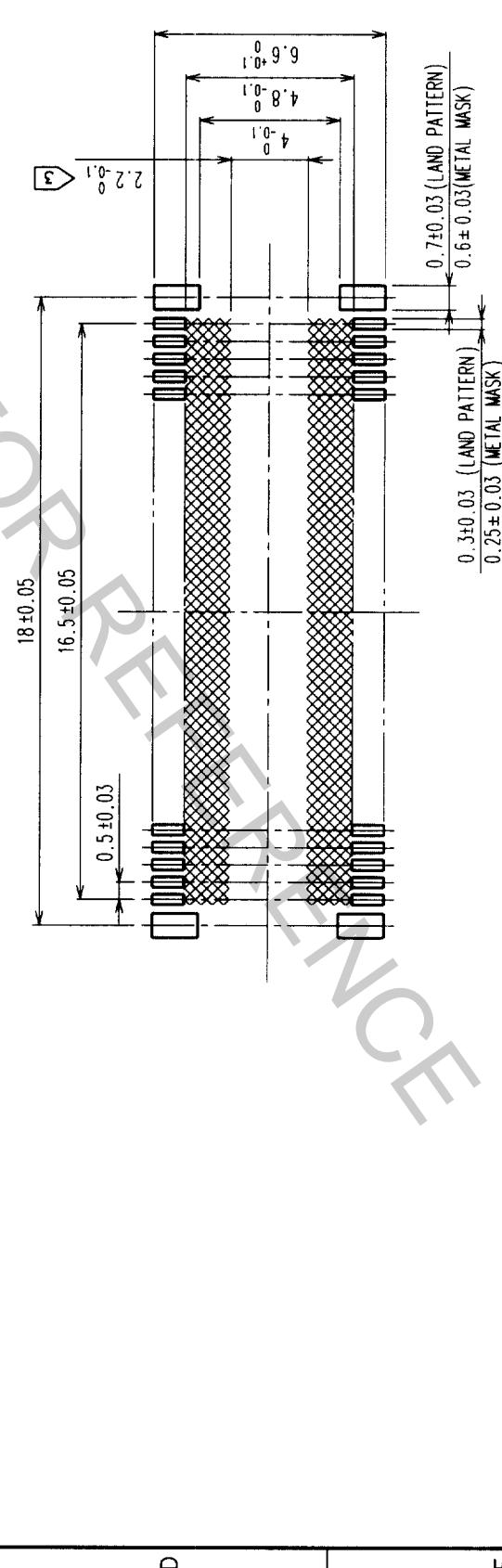


RECOMMENDED LAND PATTERN DIMENSION OF PCB



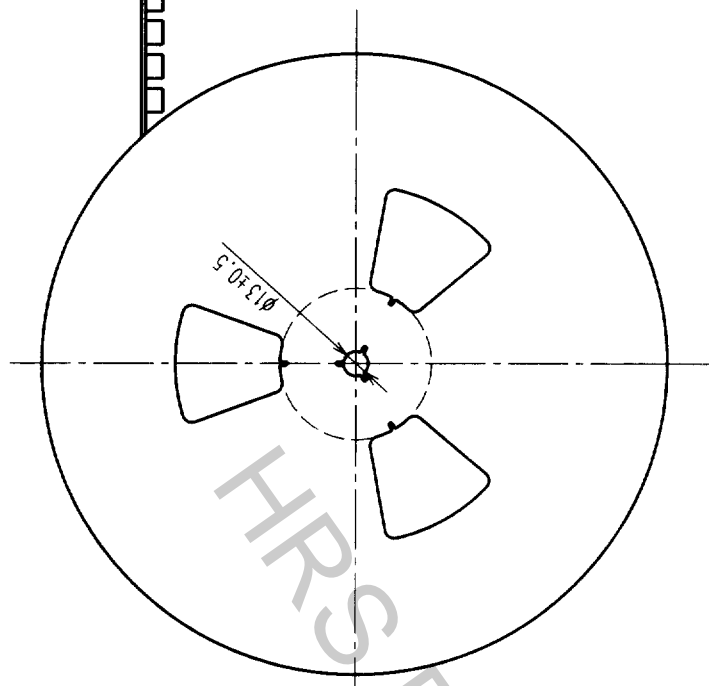
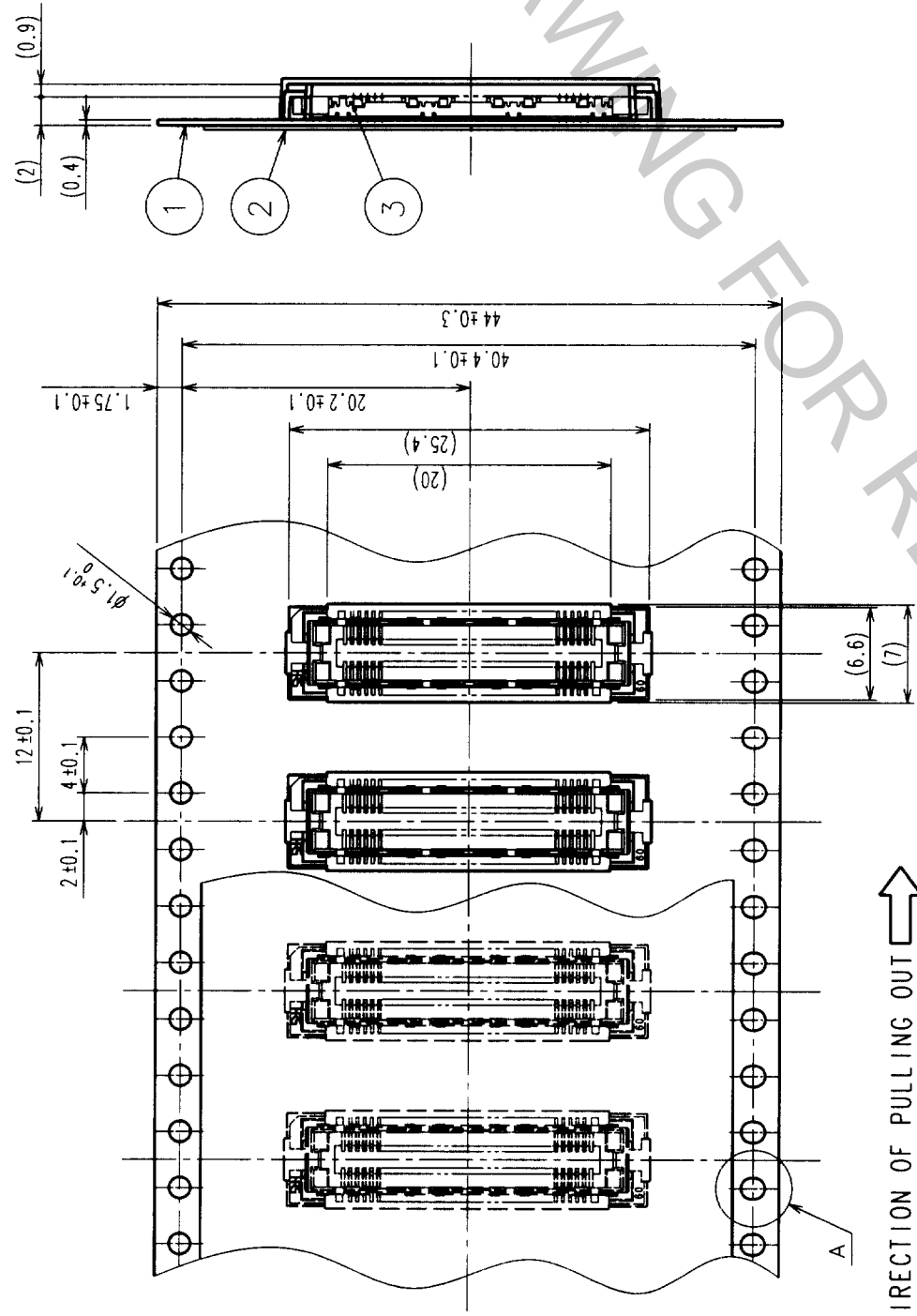
- NOTES
- 1 SMT LEAD-COPLANARITY: 0.1 MAX.
 - 2 THIS PRODUCT HAS NO POLARITY TO PATTERN FOR MOUNTING.
 - 3 MAKE SURE WIDTH OF PATTERN IS WITHIN THAT OF LAND, OR LEAD MAY TOUCH PATTERN. (THIS APPLIES TO HATCHED AREA.)
 - 4 TO BE EMBOSSED CARRIER TAPED AS SPECIFIED IN SHEET 2.

COUNT	DESCRIPTION OF REVISIONS	BY	CHKD	DATE	COUNT	DESCRIPTION OF REVISIONS	BY	CHKD	DATE
△					△				
△					△				
△					△				

2	PHOSPHOR BRONZE	CONTACT AREA: GOLD (0.1μm) OVER NICKEL
1	LCP	LEAD: GOLD FLASH OVER NICKEL
NO.	MATERIAL	FINISH, REMARKS
3	PHOSPHOR BRONZE	TIN PLATED
CODE NO. (OLD)	CL	DRAWN
		CHECKED
		DESIGNED
		APPROVED
		RELEASED
		MATERIAL
		NO.
		FINISH, REMARKS
		NO.
		DESIGNED
		CHECKED
		APPROVED
		RELEASED
		MATERIAL
		NO.
		FINISH, REMARKS
		NO.
		DESIGNED
		CHECKED
		APPROVED
		RELEASED
		MATERIAL
		NO.
		FINISH, REMARKS
		NO.
		DESIGNED
		CHECKED
		APPROVED
		RELEASED
		MATERIAL
		NO.
		FINISH, REMARKS
		NO.
		DESIGNED
		CHECKED
		APPROVED
		RELEASED
		MATERIAL
		NO.
		FINISH, REMARKS
		NO.
		DESIGNED
		CHECKED
		APPROVED
		RELEASED
		MATERIAL
		NO.
		FINISH, REMARKS
		NO.
		DESIGNED
		CHECKED
		APPROVED
		RELEASED
		MATERIAL
		NO.
		FINISH, REMARKS
		NO.
		DESIGNED
		CHECKED
		APPROVED
		RELEASED
		MATERIAL
		NO.
		FINISH, REMARKS
		NO.
		DESIGNED
		CHECKED
		APPROVED
		RELEASED
		MATERIAL
		NO.
		FINISH, REMARKS
		NO.
		DESIGNED
		CHECKED
		APPROVED
		RELEASED
		MATERIAL
		NO.
		FINISH, REMARKS
		NO.
		DESIGNED
		CHECKED
		APPROVED
		RELEASED
		MATERIAL
		NO.
		FINISH, REMARKS
		NO.
		DESIGNED
		CHECKED
		APPROVED
		RELEASED
		MATERIAL
		NO.
		FINISH, REMARKS
		NO.
		DESIGNED
		CHECKED
		APPROVED
		RELEASED
		MATERIAL
		NO.
		FINISH, REMARKS
		NO.
		DESIGNED
		CHECKED
		APPROVED
		RELEASED
		MATERIAL
		NO.
		FINISH, REMARKS
		NO.
		DESIGNED
		CHECKED
		APPROVED
		RELEASED
		MATERIAL
		NO.
		FINISH, REMARKS
		NO.
		DESIGNED
		CHECKED
		APPROVED
		RELEASED
		MATERIAL
		NO.
		FINISH, REMARKS
		NO.
		DESIGNED
		CHECKED
		APPROVED
		RELEASED
		MATERIAL
		NO.
		FINISH, REMARKS
		NO.
		DESIGNED
		CHECKED
		APPROVED
		RELEASED
		MATERIAL
		NO.
		FINISH, REMARKS
		NO.
		DESIGNED
		CHECKED
		APPROVED
		RELEASED
		MATERIAL
		NO.
		FINISH, REMARKS
		NO.
		DESIGNED
		CHECKED
		APPROVED
		RELEASED
		MATERIAL
		NO.
		FINISH, REMARKS
		NO.
		DESIGNED
		CHECKED
		APPROVED
		RELEASED
		MATERIAL
		NO.
		FINISH, REMARKS
		NO.
		DESIGNED
		CHECKED
		APPROVED
		RELEASED
		MATERIAL
		NO.
		FINISH, REMARKS
		NO.
		DESIGNED
		CHECKED
		APPROVED
		RELEASED
		MATERIAL
		NO.
		FINISH, REMARKS
		NO.
		DESIGNED
		CHECKED
		APPROVED
		RELEASED
		MATERIAL
		NO.
		FINISH, REMARKS
		NO.
		DESIGNED
		CHECKED
		APPROVED
		RELEASED
		MATERIAL
		NO.
		FINISH, REMARKS
		NO.
		DESIGNED
		CHECKED
		APPROVED
		RELEASED
		MATERIAL
		NO.
		FINISH, REMARKS
		NO.
		DESIGNED
		CHECKED
		APPROVED
		RELEASED
		MATERIAL
		NO.
		FINISH, REMARKS
		NO.
		DESIGNED
		CHECKED
		APPROVED
		RELEASED
		MATERIAL
		NO.
		FINISH, REMARKS
		NO.
		DESIGNED
		CHECKED
		APPROVED
		RELEASED
		MATERIAL
		NO.
		FINISH, REMARKS
		NO.
		DESIGNED
		CHECKED
		APPROVED
		RELEASED
		MATERIAL
		NO.
		FINISH, REMARKS
		NO.
		DESIGNED
		CHECKED
		APPROVED
		RELEASED
		MATERIAL
		NO.
		FINISH, REMARKS
		NO.
		DESIGNED
		CHECKED
		APPROVED
		RELEASED
		MATERIAL
		NO.
		FINISH, REMARKS
		NO.
		DESIGNED
		CHECKED
		APPROVED
		RELEASED
		MATERIAL
		NO.
		FINISH, REMARKS
		NO.
		DESIGNED
		CHECKED
		APPROVED
		RELEASED
		MATERIAL
		NO.
		FINISH, REMARKS
		NO.
		DESIGNED
		CHECKED
		APPROVED
		RELEASED
		MATERIAL
		NO.
		FINISH, REMARKS
		NO.
		DESIGNED
		CHECKED
		APPROVED
		RELEASED
		MATERIAL
		NO.
		FINISH, REMARKS
		NO.
		DESIGNED
		CHECKED
		APPROVED
		RELEASED
		MATERIAL
		NO.
		FINISH, REMARKS
		NO.
		DESIGNED
		CHECKED
		APPROVED
		RELEASED
		MATERIAL
		NO.
		FINISH, REMARKS
		NO.
		DESIGNED
		CHECKED
		APPROVED
		RELEASED
		MATERIAL
		NO.
		FINISH, REMARKS
		NO.
		DESIGNED
		CHECKED
		APPROVED
		RELEASED
		MATERIAL
		NO.
		FINISH, REMARKS
		NO.
		DESIGNED
		CHECKED
		APPROVED
		RELEASED
		MATERIAL
		NO.
		FINISH, REMARKS
		NO.
		DESIGNED
		CHECKED
		APPROVED
		RELEASED
		MATERIAL
		NO.
		FINISH, REMARKS
		NO.
		DESIGNED
		CHECKED
		APPROVED
		RELEASED
		MATERIAL
		NO.
		FINISH, REMARKS
		NO.
		DESIGNED
		CHECKED
		APPROVED
		RELEASED
		MATERIAL
		NO.
		FINISH, REMARKS
		NO.
		DESIGNED
		CHECKED
		APPROVED
		RELEASED
		MATERIAL
		NO.
		FINISH, REMARKS
		NO.
		DESIGNED
		CHECKED
		APPROVED
		RELEASED
		MATERIAL
		NO.
		FINISH, REMARKS
		NO.
		DESIGNED
		CHECKED
		APPROVED
		RELEASED
		MATERIAL
		NO.
		FINISH, REMARKS
		NO.
		DESIGNED
		CHECKED
		APPROVED
		RELEASED
		MATERIAL
		NO.
		FINISH, REMARKS
		NO.
		DESIGNED
		CHECKED
		APPROVED
		RELEASED
		MATERIAL
		NO.
		FINISH, REMARKS
		NO.
		DESIGNED
		CHECKED
		APPROVED
		RELEASED
		MATERIAL
		NO.
		FINISH, REMARKS
		NO.
		DESIGNED
		CHECKED
		APPROVED
		RELEASED
		MATERIAL
		NO.
		FINISH, REMARKS
		NO.
		DESIGNED
		CHECKED
		APPROVED
		RELEASED
		MATERIAL
		NO.
		FINISH, REMARKS
		NO.
		DESIGNED
		CHECKED
		APPROVED
		RELEASED
		MATERIAL
		NO.
		FINISH, REMARKS
		NO.
		DESIGNED
		CHECKED
		APPROVED
		RELEASED
		MATERIAL
		NO.
		FINISH, REMARKS
		NO.
		DESIGNED
		CHECKED
		APPROVED
		RELEASED
		MATERIAL
		NO.
		FINISH, REMARKS
		NO.
		DESIGNED
		CHECKED
		APPROVED
		RELEASED

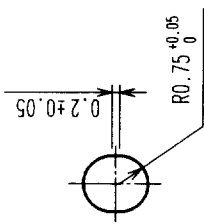
COUNT	DESCRIPTION OF REVISIONS	BY	CHKD	DATE	COUNT	DESCRIPTION OF REVISIONS	BY	CHKD	DATE
△					△				
△					△				
△					△				

REELED DIMENSION (Free)



THE DIRECTION OF PULLING OUT →

A (5:1)



- NOTES 1 REEL: 1000 CONNECTORS.
- 2 MINIMUM 10 COMPARTMENTS FROM BOTH REEL ENDS REMAIN EMPTY.
- 3 THIS PRODUCT HAS NO POLARITY TO TAPE AND REEL PACKAGING.

2	PET	TOP COVER TAPE	3	(CONNECTOR)	FINISH, REMARKS	FINISH, REMARKS			
1	PS	EMBOSSED CARRIER TAPE	3						
NO.	MATERIAL	FINISH, REMARKS	NO.	MATERIAL	DESIGNED	CHECKED	APPROVED	RELEASED	
CL									
DRAWING FOR PACKING		DRAWN		DESIGNED		APPROVED		RELEASED	
		99.10.25		99.10.25		99.10.26		99.10.26	
DRAWING NO.		PART NO.		FINISH, REMARKS		FINISH, REMARKS		FINISH, REMARKS	
EDC3-152120-01		FX11LB-68S-SV(21)							
SCALE		UNITS		HRS		HIROSE ELECTRIC CO., LTD		CL573-0152-0-21	
2 : 1		mm						2	

TO	
PCK	