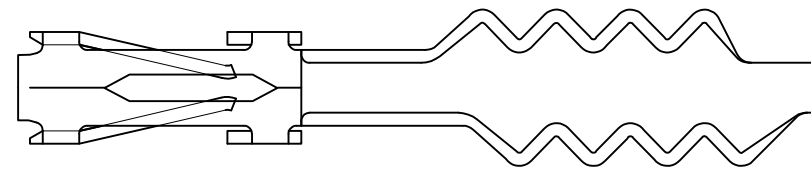
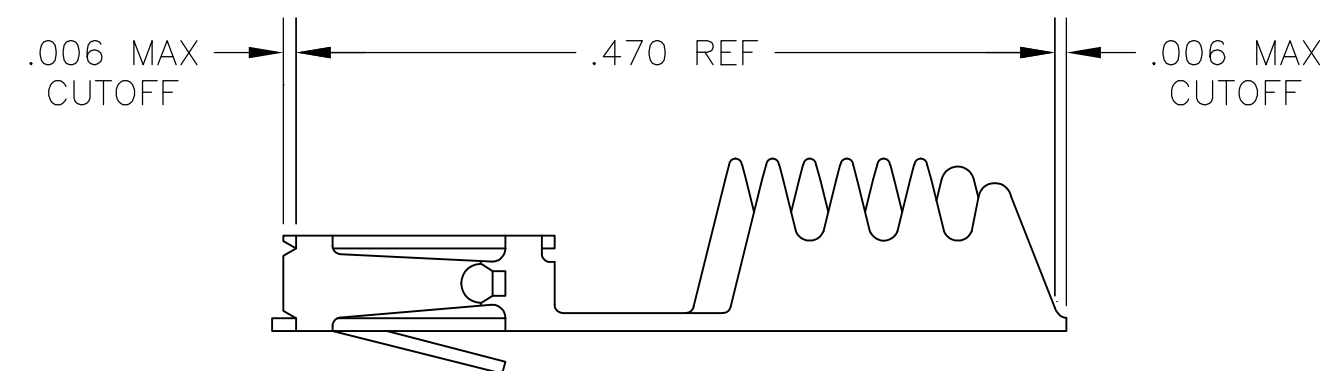


THIS DRAWING IS UNPUBLISHED. RELEASED FOR PUBLICATION
 © COPYRIGHT - By - ALL RIGHTS RESERVED.

LOC	DIST	REVISIONS					
AD	00	P	LTR	DESCRIPTION	DATE	DWN	APVD
				C1 REVISED PER ECO-11-004917	11MAR11	RK	HMR



1. LOOSE PIECE CONTACTS MUST MEET ALL APPLICABLE STRIP SPECIFICATION IN ADDITION TO THOSE SHOWN
.000030 GOLD OVER .000050 NICKEL
- 3 GOLD FLASH OVER .000050 NICKEL ENTIRE CONTACT, .000030 GOLD ON CONTACT AREA
- 4 PREPLATED:(HALT).000078-.000158 BRIGHT TIN
- 5 OBSOLETE PART NUMBER



4	87107-6	102348-3
3	87107-5	102348-2
2	87107-2	102348-1
FINISH	SPRIP PART NO.	PART NO.

THIS DRAWING IS A CONTROLLED DOCUMENT.		DWN E.C.CLAYBAUGH 08APR98	STE TE Connectivity			
DIMENSIONS: INCHES		CHK -				
TOLERANCES UNLESS OTHERWISE SPECIFIED:		APVD -	NAME CONTACT,MOD IV, CRIMP SNAP-IN (LOOSE PIECE)			
0 PLC ± -		PRODUCT SPEC -				
1 PLC ± -		APPLICATION SPEC -	SIZE A3	CAGE CODE 00779	DRAWING NO C-102348	RESTRICTED TO -
2 PLC ± -		WEIGHT -	SCALE N.T.S.		SHEET 1 OF 1	REV C1
3 PLC ± -		CUSTOMER DRAWING				
4 PLC ± -						
ANGLES ± -						
MATERIAL BERYLLIUM COPPER		FINISH SEE TABLE				