

H G F E D C B A

4

3

2

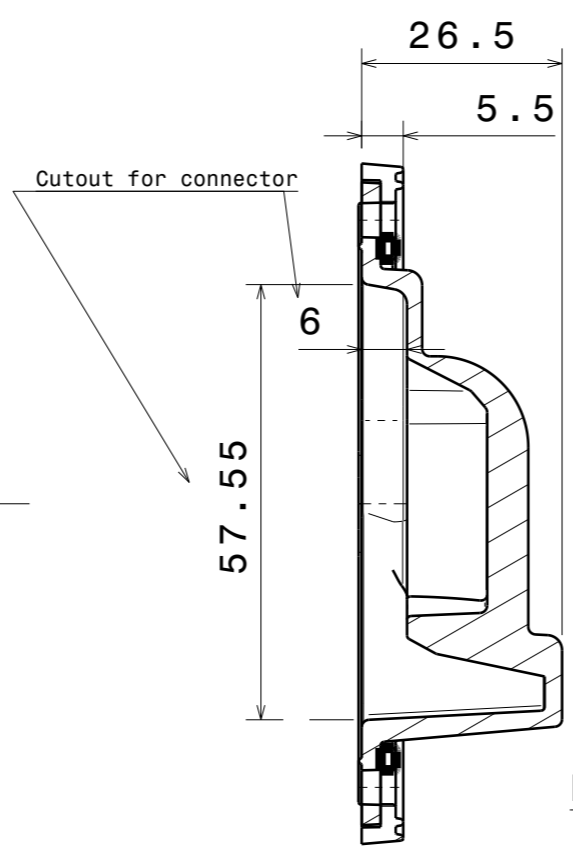
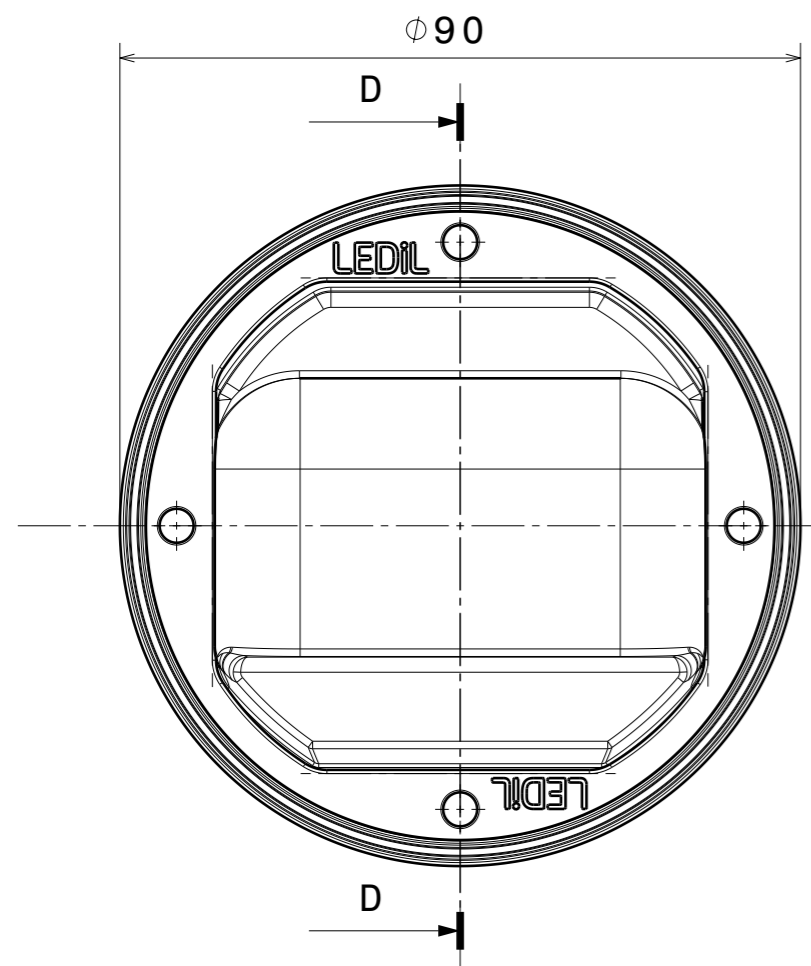
1

4

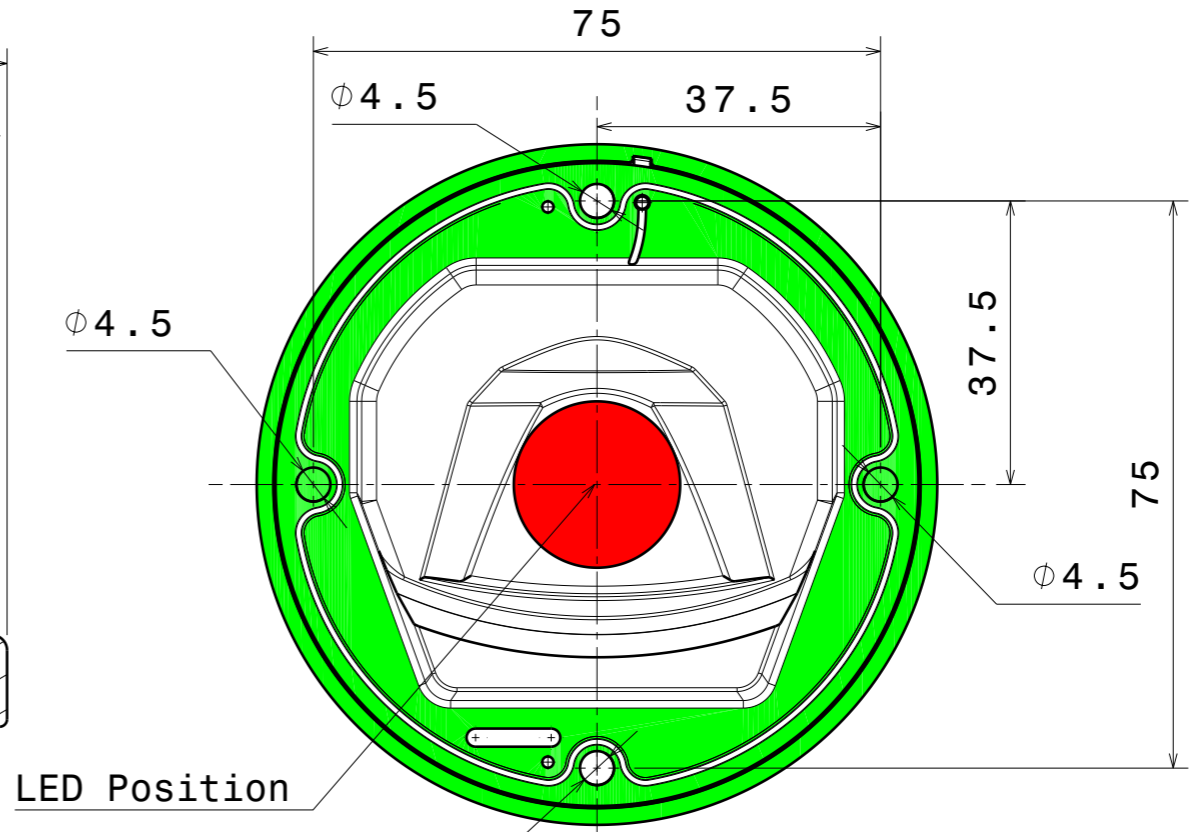
3

2

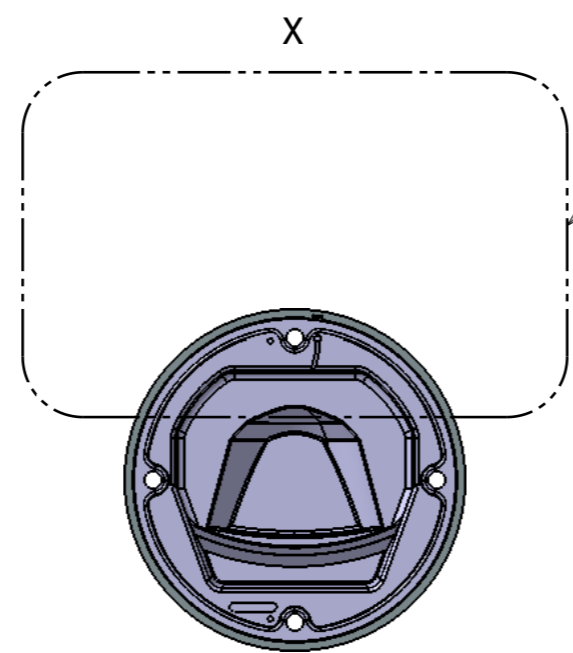
1



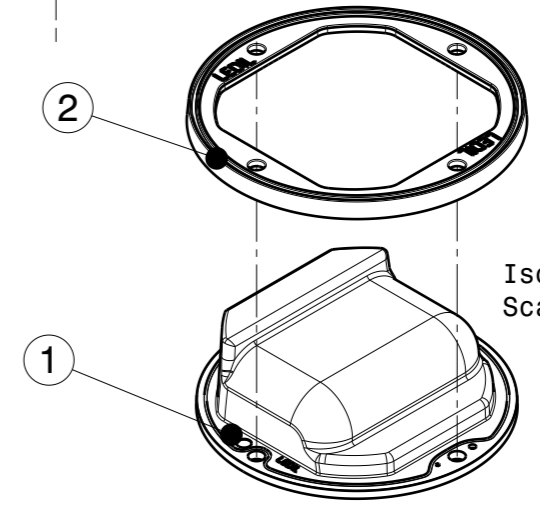
Section view D-D
Scale: 1:1



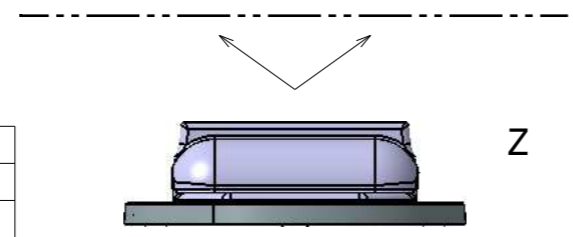
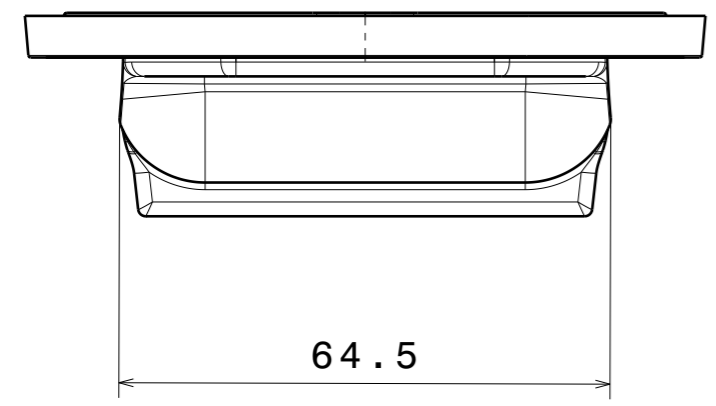
LED Position



Light Pattern Direction



Isometric view
Scale: 1:2



Z

COMPONENTS

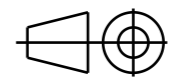
INDEX	PRODUCT	TYPE	MATERIAL	COLOUR/COATING
1	F16355_STELLA-G2-T2	LENS	SILICONE	CLEAR
2	F13322_STELLA-FRAME	FRAME	PLASTIC	BLACK

MECHANICAL DRAWING

PRODUCT
FN16356_STELLA-G2-T2

Tolerances if not otherwise shown
According to DIN ISO 2768-1
Linear measures:
Up to 30mm class M, otherwise class C.
According to DIN ISO 2768-2
Form and position: class L

FIRST ANGLE PROJECTION:



LEDiL®

This drawing is the property of LEDiL Oy. It may not be reproduced, copied or communicated without a written agreement with LEDiL Oy.

SCALE	1:1	SIZE	A3	SHEET	1/2
-------	-----	------	----	-------	-----

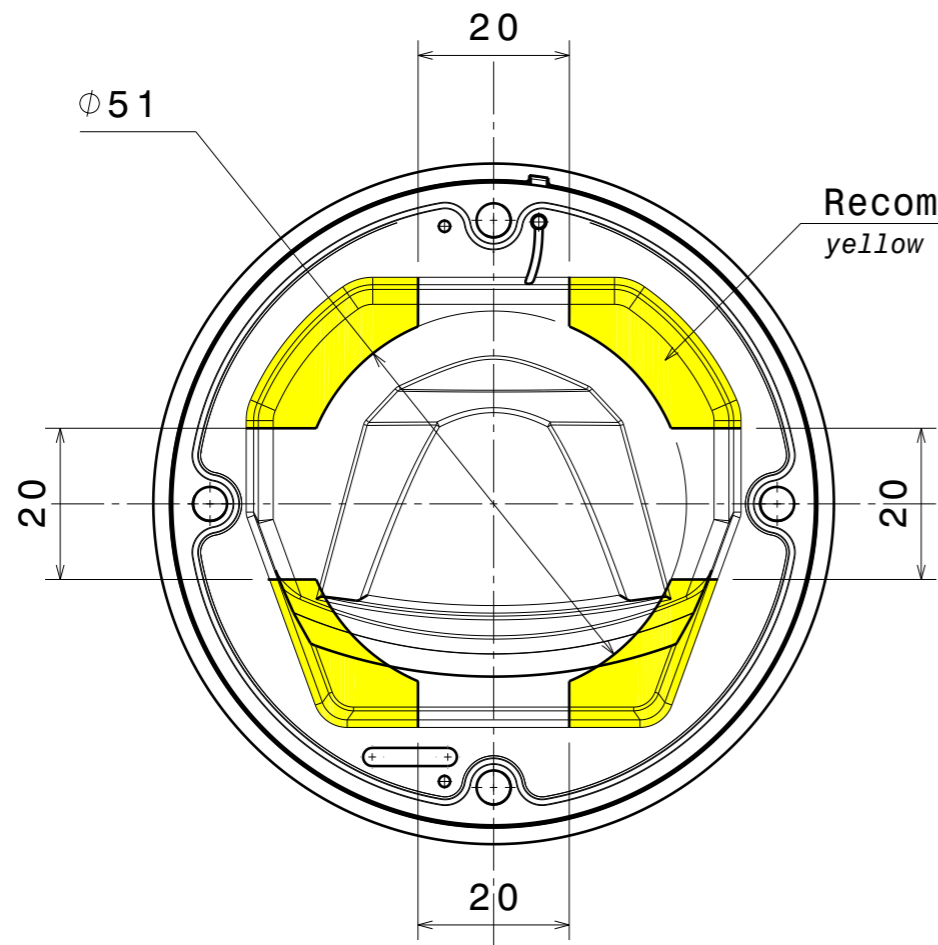
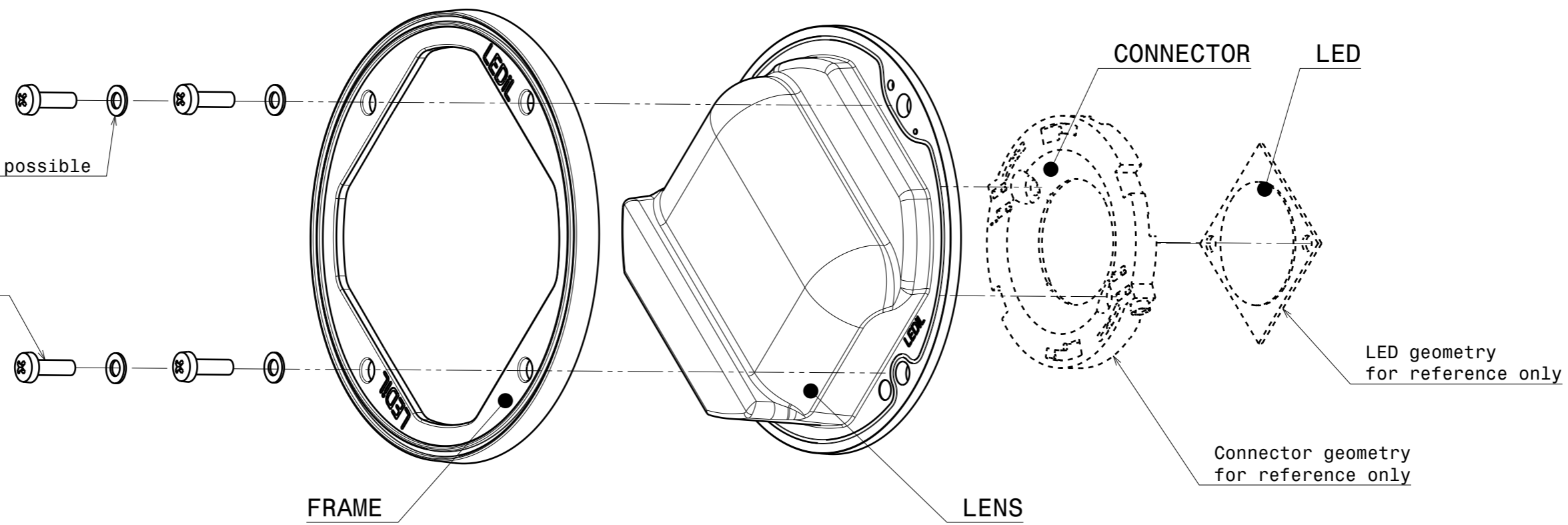
Notes

- PCB or heat sink level
 - Led location
- For more details about compatible LEDs please check measured results on www.ledil.com and 3D model for more detailed mechanical information
See installation details page on 2.

H G F E D C B A

Use washer with screw if possible

Recommended max. torque for screw fixing: 0.40Nm



Recommended inlet area for wiring
yellow area

Check suitability and design requirements with the connector model used

Notes

For more details about installation please check LEDiL Installation Guide on www.ledil.com

MECHANICAL DRAWING		LEDiL[®]
PRODUCT FN16356_STELLA-G2-T2		
Tolerances if not otherwise shown According to DIN ISO 2768-1 Linear measures: Up to 30mm class M, otherwise class C. According to DIN ISO 2768-2 Form and position: class L	FIRST ANGLE PROJECTION: 	This drawing is the property of LEDiL Oy. It may not be reproduced, copied or communicated without a written agreement with LEDiL Oy.
SCALE 1:1	SIZE A3	