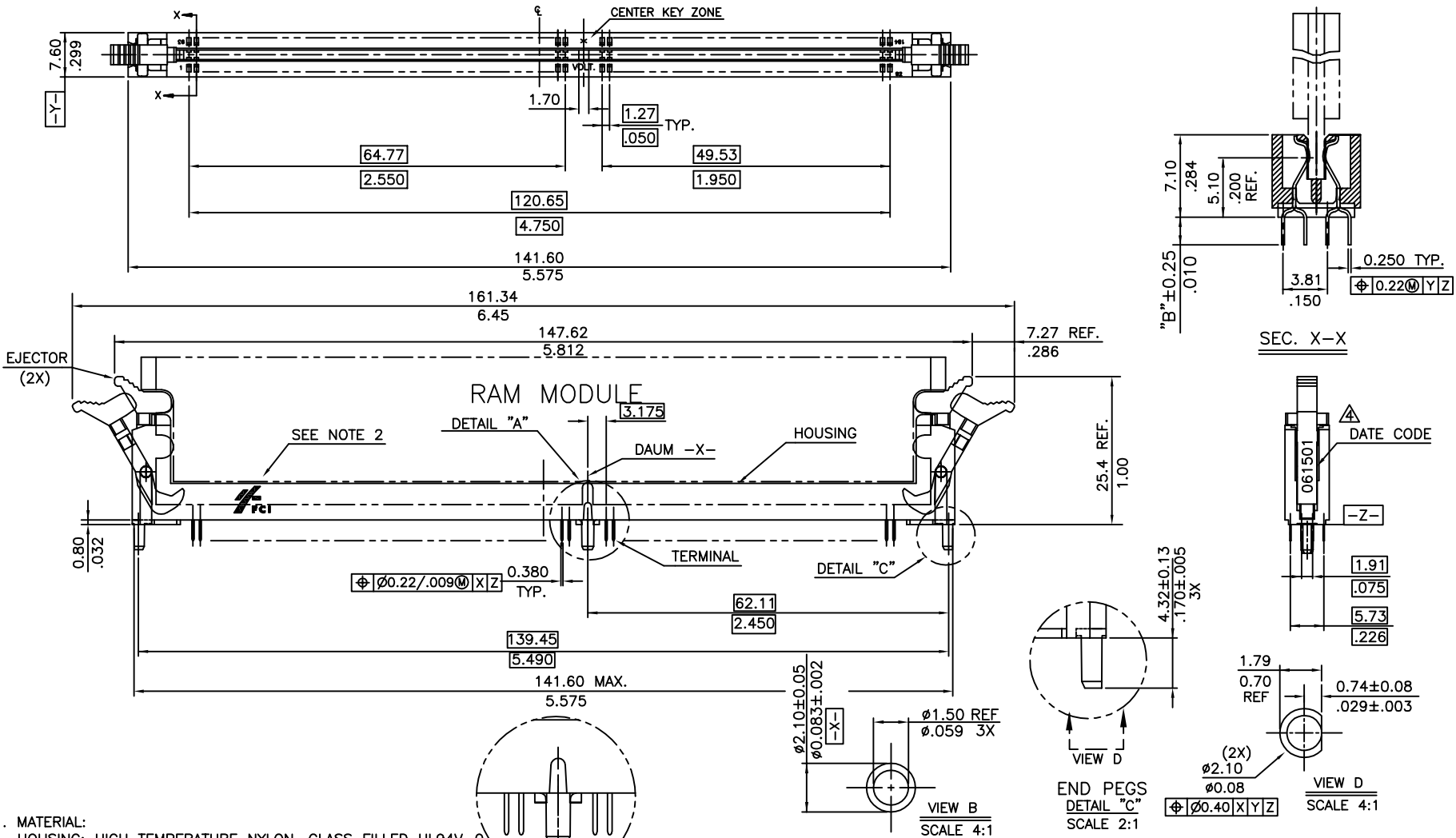


All rights strictly reserved. Reproduction or issue to third parties in any form whatever is not permitted without written authority from the proprietor. Property of FCI. Copyright FCI.

Tous droits strictement réservés. Reproduction ou communication a des tiers interdite sous quelque forme que ce soit sans autorisation écrite du propriétaire. Propriété de c FCI. Droits de reproduction FCI.

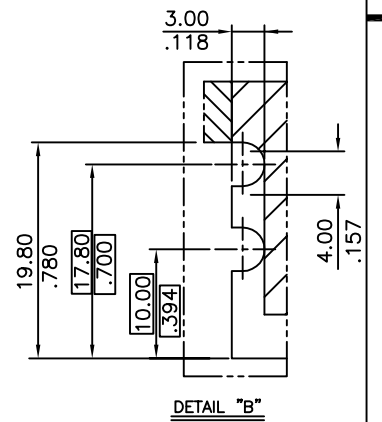
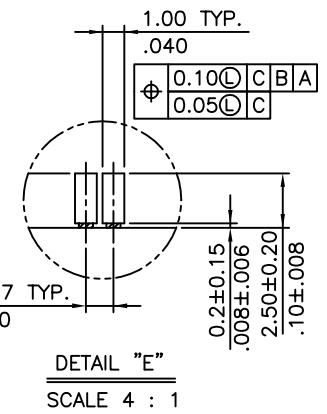
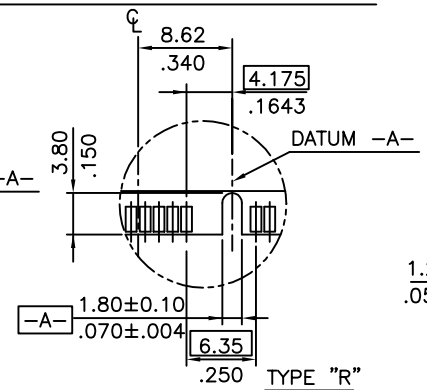
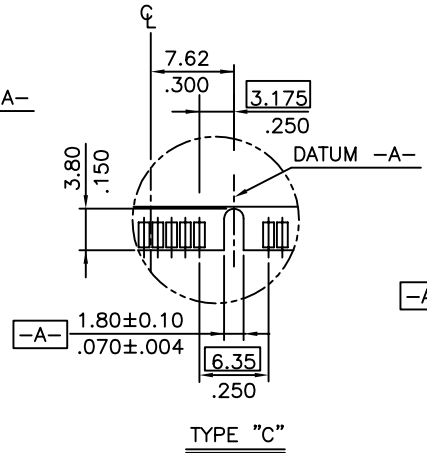
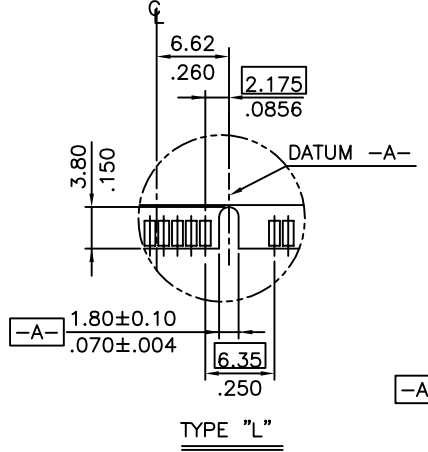
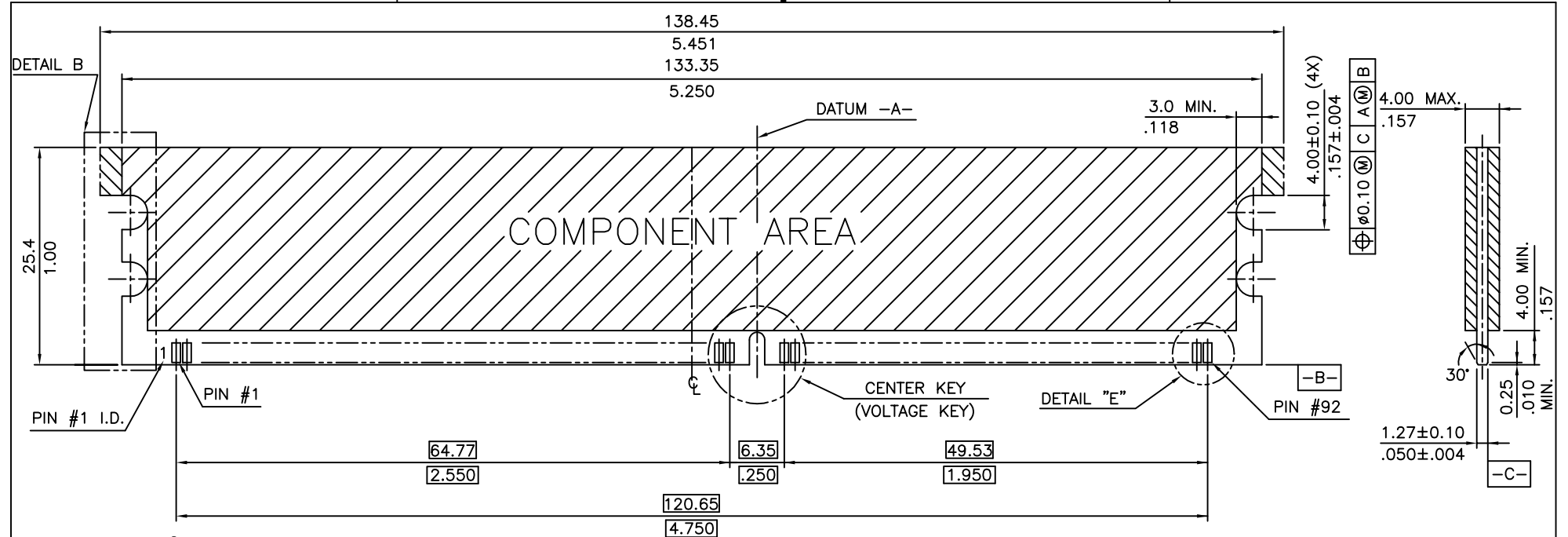


- NOTE:
- MATERIAL:  
 HOUSING: HIGH TEMPERATURE NYLON, GLASS FILLED UL94V-0 RATED, COLOR BLACK.  
 EJECTOR: HIGH TEMPERATURE NYLON, GLASS FILLED UL94V-0 RATED, COLOR NATURAL.  
 TERMINAL: COPPER ALLOY.
  - FCI LOGO TO BE APPROXIMATELY LOCATED AS SHOWN ON PRINT.
  - PRODUCT SPECIFICATION: GS-12-146
  - THE DATE CODE IS SHOWN "MM-DD-YY" FOR CUSTOMER SPECIAL REQUEST.
  - THIS PRODUCT MEETS EUROPEAN UNION DIRECTIVES AND OTHER COUNTRY REGULATIONS AS DESCRIBED IN GS-22-008.
  - THE HOUSING WILL WITH STAND EXPOSURE TO 260° PEAK TEMPERATURE FOR 10 SECONDS IN A WAVE SOLDER APPLICATION.

mat'l. code		tolerances unless otherwise specified		CUSTOMER COPY		FCI		www.fciconnect.com	
ltr	ecn no	dr	date	linear	.X ± 0.38/.015	projection	title	DDR 184P .050" 1-ROW, V/T ASS'Y PLASTIC POST	
A	T10170	M W	06/20/01		.XX ± 0.25/.010		product family	DDR	code
B	T20047	M W	02/05/02	angles	.XXX ± 0.15/.005		size	dwg no	TWN
C	T20325	M W	11/14/02		0° ± 2'		scale	55660	sheet
D	T03-0117	M W	04/14/03	dr	MAGGIE WU 10/03/00	MM	A4	1 of 3	
E	T03-0435	M W	10/01/03	enr	BEN TSAO 10/03/00	1:1			
F	0605-0489	K W	11/21/05	chr	BEN TSAO 10/03/00				
				appd	JENN TSAO 10/03/00				
sheet	revision	F	C						
index	sheet	1	2	3					

Tous droits strictement reserves. Reproduction ou communication a des tiers interdite sous quelque forme que ce soit sans autorisation ecrite du propriétaire. Propriete de c FCI. Droits de reproduction FCI.

All rights strictly reserved. Reproduction or issue to third parties in any form whatever is not permitted without written authority from the proprietor. Property of FCI. Copyright FCI.

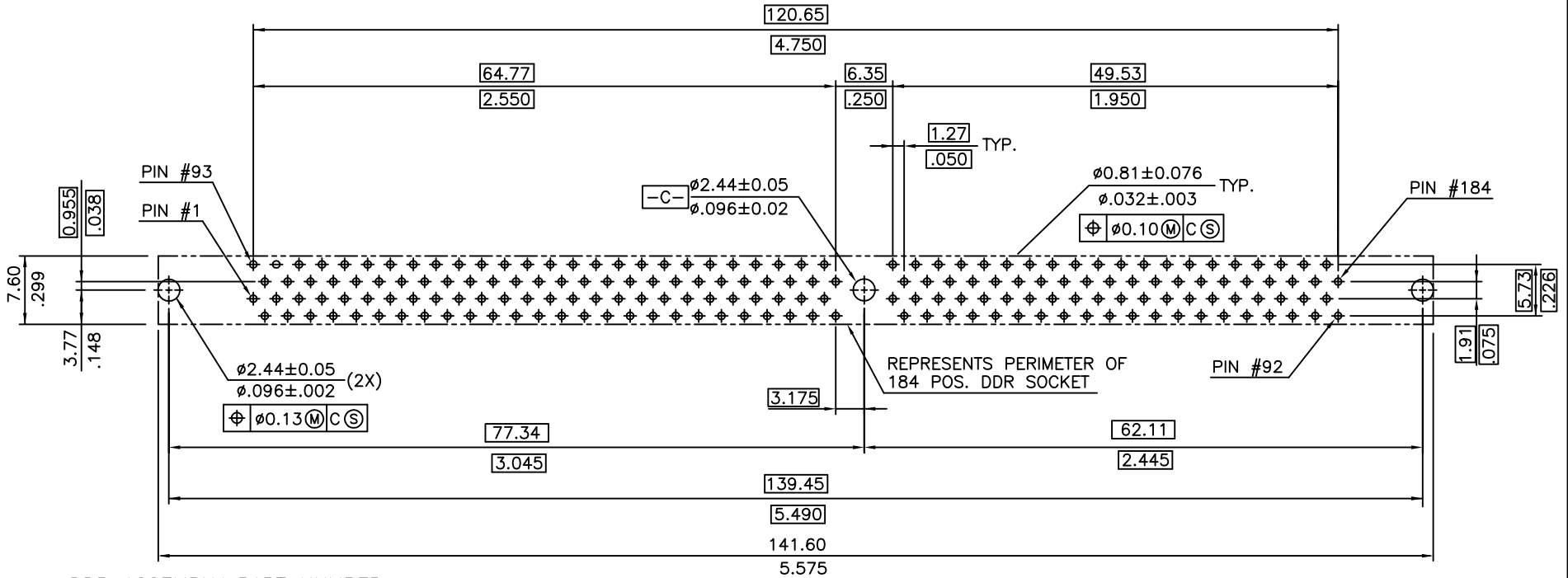


TYPE "R"	3.3 VOLT.
TYPE "L"	2.5 VOLT.
TYPE "C"	1.8 VOLT.
CENTER KEY	DESCRIPTION

mat'l. code		tolerances unless otherwise specified		CUSTOMER COPY		FCI www.fciconnect.com	
ltr	ecn no	dr	date	linear	.X ± 0.38/.015	projection	title
C					.XX ± 0.25/.010		DDR 184P .050" 1-ROW, V/T ASS'Y PLASTIC POST
				angles	.XXX ± 0.15/.005		
					0° ± 2'	MM	product family
				dr	MAGGIE WU 10/03/00	scale	DDR
				enr	BEN TSAO 10/03/00	1.5:1	code
				chr	BEN TSAO 10/03/00	A4	55660
				appd	JENN TSAO 10/03/00		size
sheet index	revision sheet						dwg no
							2 of
							sheet
							2 of

Tous droits strictement réservés. Reproduction ou communication a des tiers interdite sous quelque forme que ce soit sans autorisation écrite du propriétaire. Propriété de c FCI. Droits de reproduction FCI.

All rights strictly reserved. Reproduction or issue to third parties in any form whatever is not permitted without written authority from the proprietor. Property of FCI. Copyright FCI.



DDR ASSEMBLY PART NUMBER

5 5 6 6 0 - □ □ □ □

RECOMMENDED CIRCUIT BOARD HOLE LAYOUT

STYLE  
 1 : FOR 3.3 VOLT.  
 2 : FOR 2.5 VOLT.  
 3 : FOR 1.8 VOLT.

RESERVED  
 0

PLATING

CODE	CONTACT	SOLDERTAIL	UNDERPLATE	CODE	CONTACT	SOLDERTAIL	UNDERPLATE
2	15μ" (0.38μm) MIN. GOLD	100μ" (2.54μm) MIN. TIN/LEAD	50μ" (1.27μm) MIN. NICKEL OVERALL	7LF	15μ" (0.38μm) MIN. GOLD	100μ" (2.54μm) MIN. 100% TIN	50μ" (1.27μm) MIN. NICKEL OVERALL
3	30μ" (0.76μm) MIN. GOLD			8LF	30μ" (0.76μm) MIN. GOLD		
4	GOLD FLASH			9LF	GOLD FLASH		

TAIL LENGTH

CODE	DIM. "B"	TOLERANCE
1	2.29 .090	±0.25 ±.01
2	2.79 .110	±0.25 ±.01
3	2.67 .105	±0.25 ±.01
4	3.05 .120	±0.25 ±.01

COLOR OF HOUSING AND EJECTOR

0 : BLACK HOUSING + IVORY EJECTOR

mat'l. code				tolerances unless otherwise specified		CUSTOMER COPY		 www.fciconnect.com		
ltr	ecn no	dr	date	linear	.X ± 0.38/.015	projection		title		
D					.XX ± 0.25/.010			DDR 184P .050" 1-ROW, V/T ASS'Y PLASTIC POST		
				angles	.XXX ± 0.15/.005		MM	product family		
				dr	0° ± 2'			DDR		code
				enr	MAGGIE WU 10/03/00	scale	1.5:1	size		
				chr	BEN TSAO 10/03/00			A4		TWN
				appd	BEN TSAO 10/03/00			55660		sheet
					JENN TSAO 10/03/00					3 of
sheet index	revision sheet							cage code		