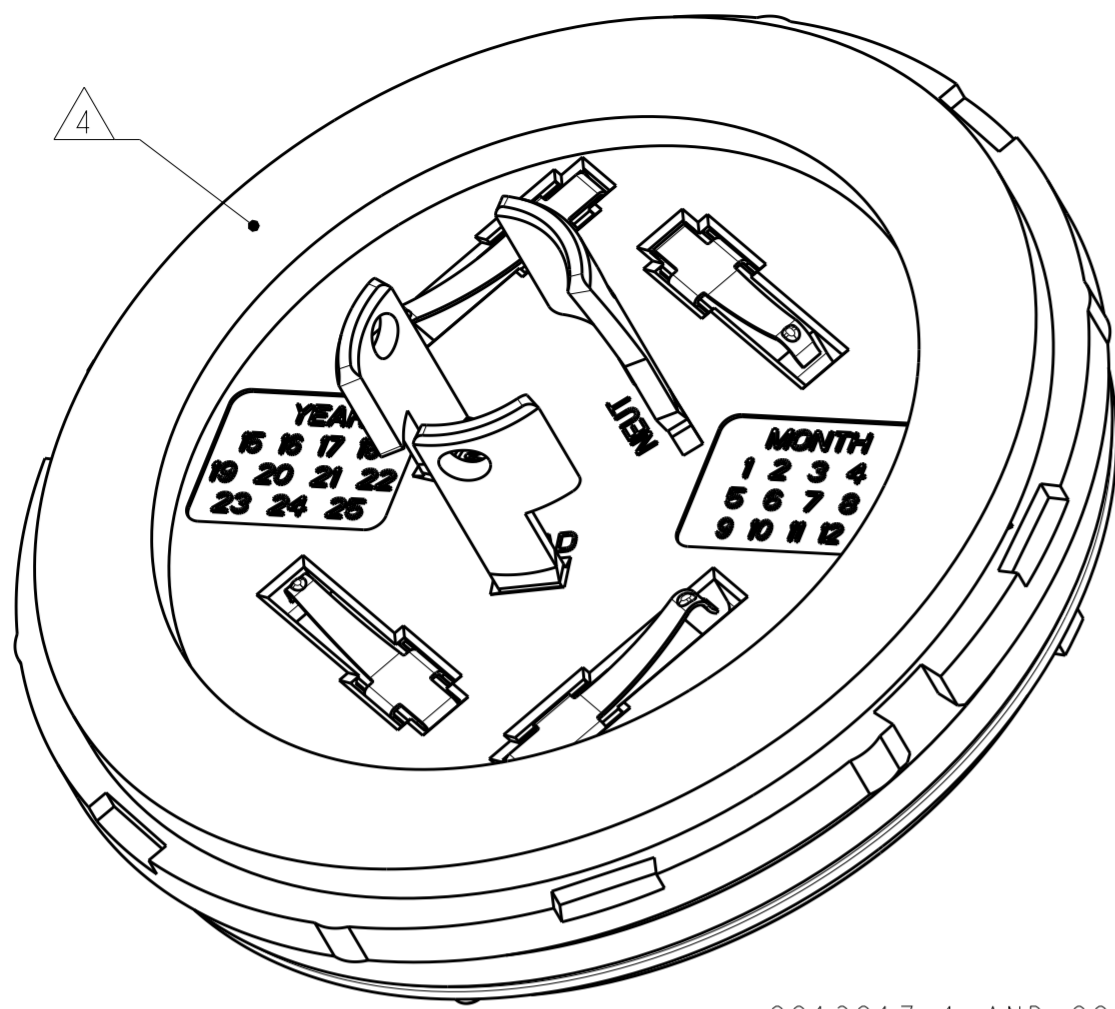
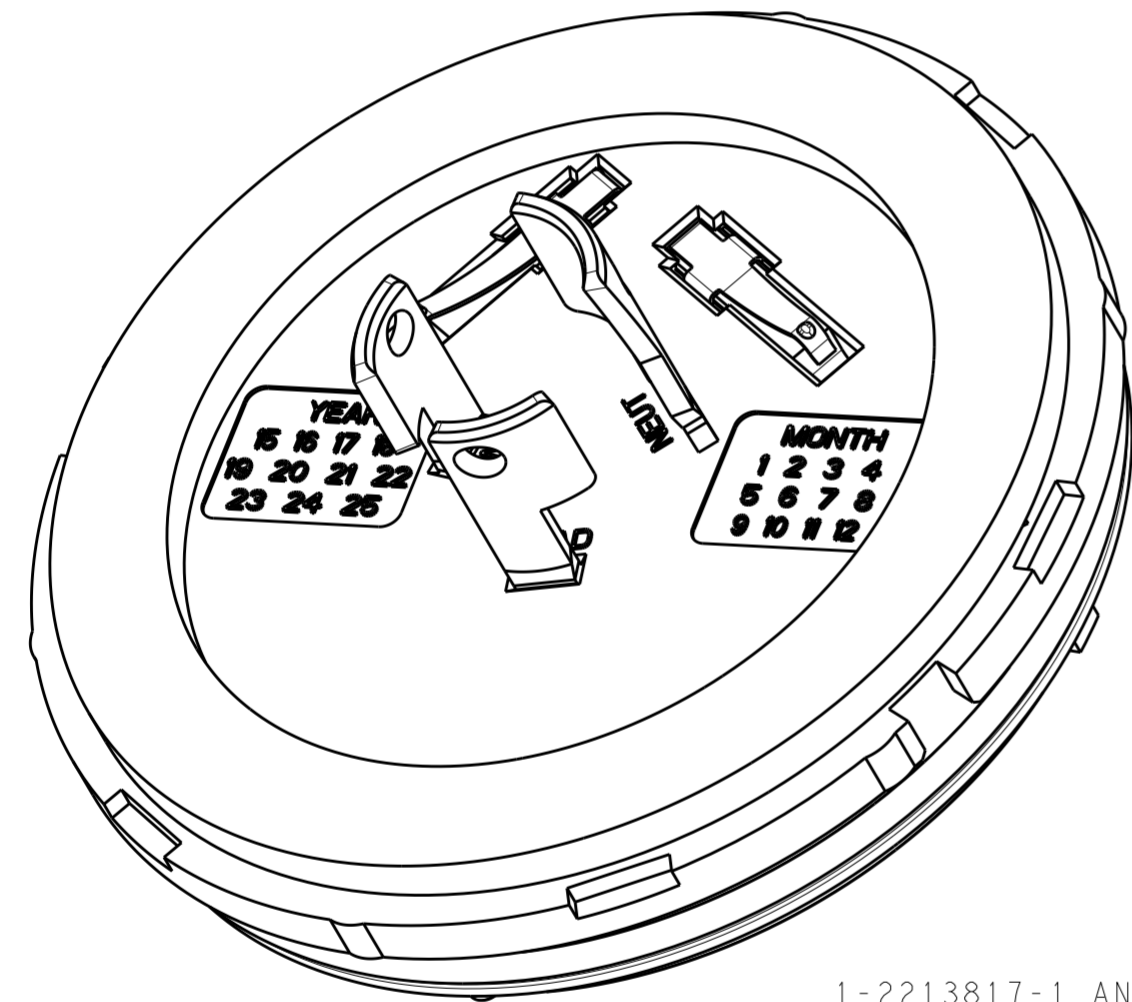
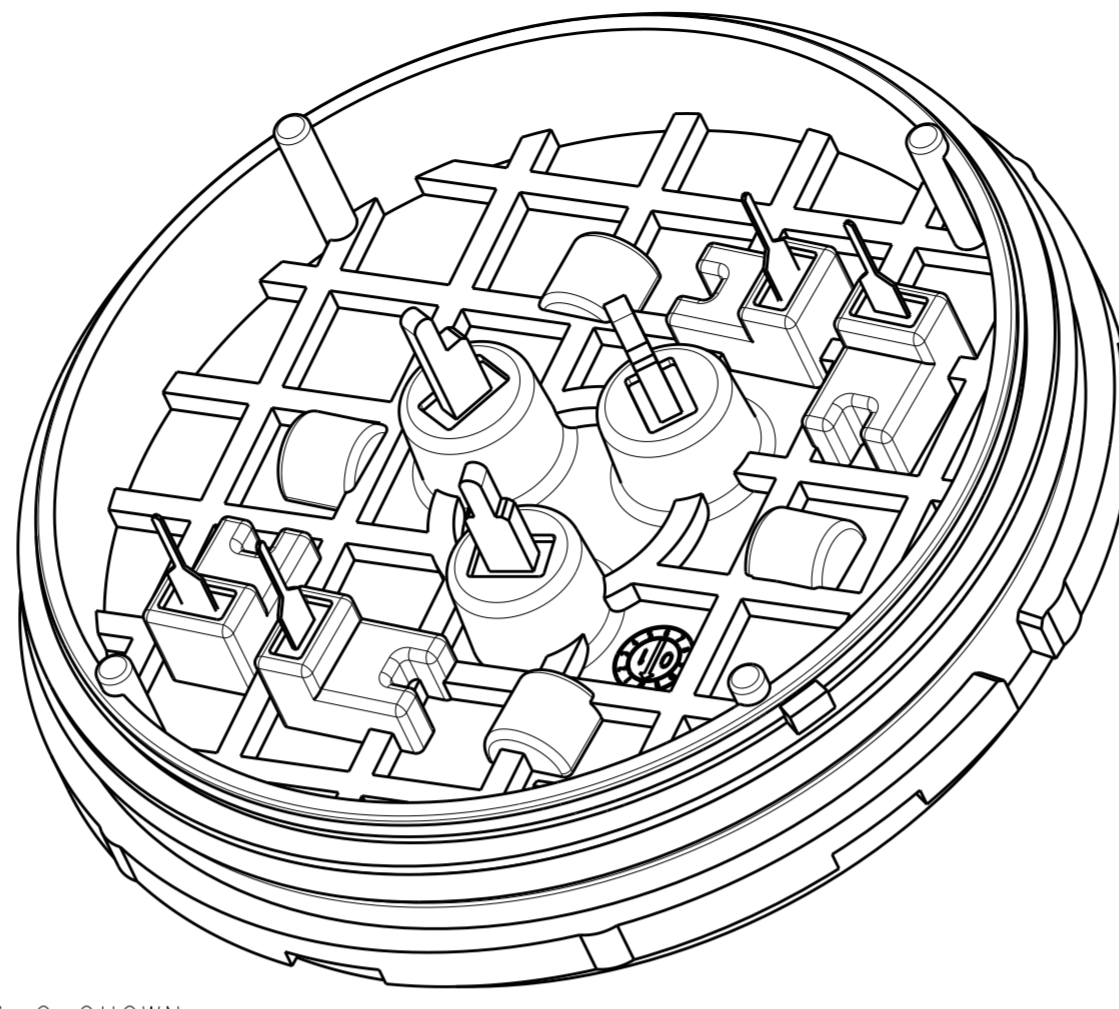


THIS DRAWING IS UNPUBLISHED. RELEASED FOR PUBLICATION 20
 © COPYRIGHT 20 BY - ALL RIGHTS RESERVED.

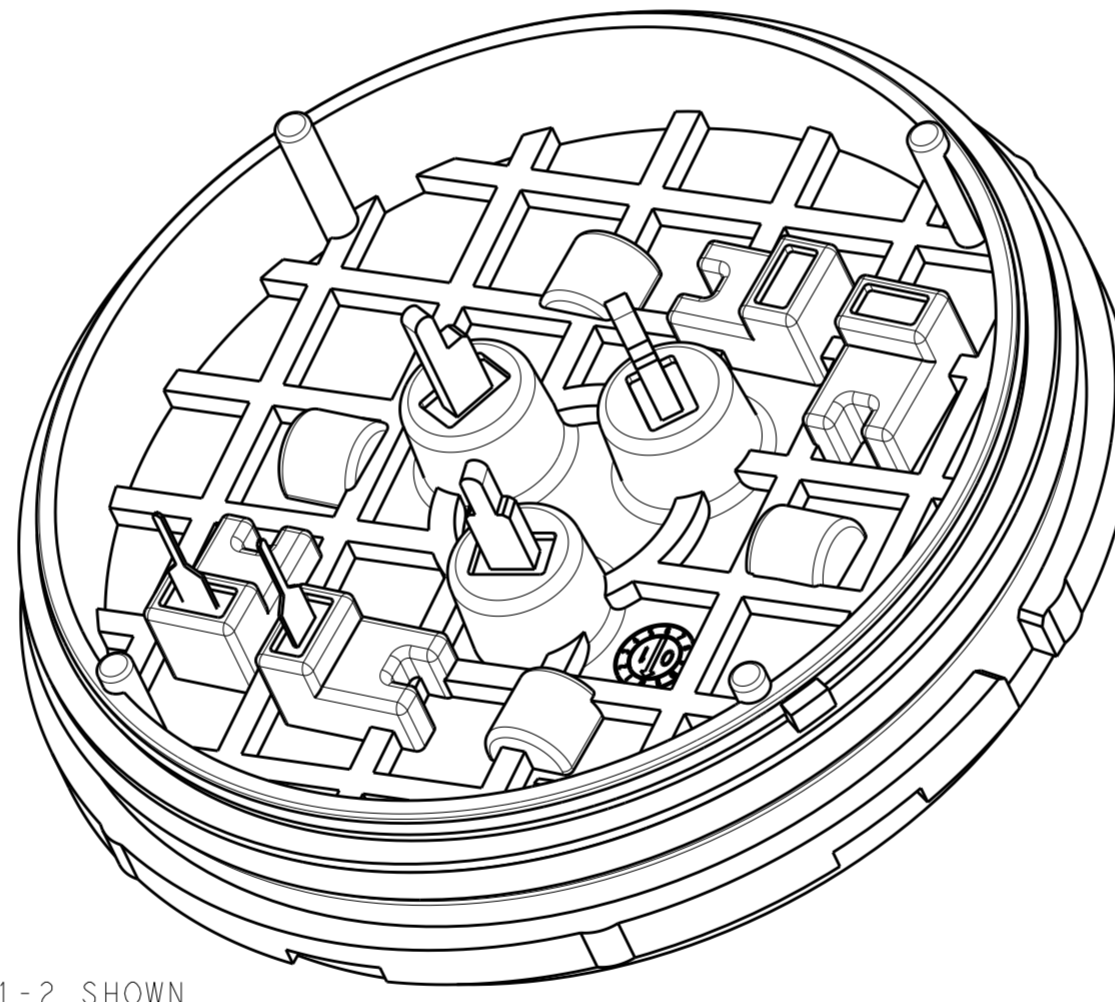
REVISIONS					
P	LTR	DESCRIPTION	DATE	DWN	APVD
A		REVISED PER ECO-17-009928	11JUL2017	SK	DD
A1		REVISED PER ECO-17-016212	06NOV2017	RK	DD
A2		REVISED PER ECO-18-007018	09MAY2018	SR	DD



2213817-1 AND 2213871-2 SHOWN



1-2213817-1 AND 1-2213871-2 SHOWN



- 1 MATERIALS:
 HOUSING: PBT
 DIMMING CONTACTS (QTY. 4): COPPER ALLOY
 LINE VOLTAGE CONTACTS (QTY. 3): COPPER ALLOY
 GASKET: CROSS-LINKED POLYETHYLENE
 O-RING: SILICONE RUBBER
- 2 FINISH:
 DIMMING CONTACTS: NICKEL UNDERPLATE ENTIRE
 CONTACT 0.127 µm MIN THICK. SELECTIVE GOLD PLATE CONTACT
 MATING AREA (MATING FACE SIDE ONLY) 0.76 µm MIN THICK.
 MATTE TIN PLATE TAB ON BOTH SIDES 0.30 µm MIN THICK.
 LINE VOLTAGE CONTACTS: MATTE TIN PLATE
- 3 MATING INTERFACE PER ANSI C136.41-2013.
- 4 ADHESIVE BACKED GASKET SUPPLIED BUT NOT INSTALLED.
- 5 ADDITIONAL COVERS AND SLEEVES OF VARIOUS HEIGHTS ARE AVAILABLE. CONTACT TE CONNECTIVITY FOR MORE OPTIONS.
- 6. NOTE DELETED.
- 7. THIS PRODUCT HAS NOT COMPLETED VALIDATION TESTING.

2213996-X	2306130-X	5	Ø82.24	Ø78.54	Ø70.70	Ø72.25	Ø77.53	Ø77.74	Ø81.15	1-2213871-2
2213996-X	2306130-X	7	Ø82.24	Ø78.54	Ø70.70	Ø72.25	Ø77.53	Ø77.74	Ø81.15	2213871-2
2213805-X	2213748-X	5	Ø77.00	Ø76.96	Ø65.00	Ø66.75	Ø71.23	Ø72.00	Ø76.00	1-2213871-1
2213805-X	2213748-X	7	Ø77.00	Ø76.96	Ø65.00	Ø66.75	Ø71.23	Ø72.00	Ø76.00	2213871-1
REPRESENTATIVE SLEEVE P/N 5	REPRESENTATIVE COVER P/N 5	CONTACT POSITIONS	DIM Y	DIM X	DIM N	DIM M MAX WITH SLEEVE	DIM M MAX W/OUT SLEEVE	DIM F	DIM E	PART NO.

THIS DRAWING IS A CONTROLLED DOCUMENT.

DIMENSIONS:	TOLERANCES UNLESS OTHERWISE SPECIFIED:	DWN	23MAR2016
mm	0 PLC ±	J. SHAFFER	
	1 PLC ±0.2	CHK	23MAR2016
	2 PLC ±0.13	E. HOWARD	
	3 PLC ±	APVD	-
	4 PLC ±	PRODUCT SPEC	108-32125
	ANGLES ±3°	APPLICATION SPEC	114-32159
MATERIAL	FINISH	WEIGHT	
- 1	- 2		

CUSTOMER DRAWING SCALE 2:1 SHEET 1 OF 5 REV A2

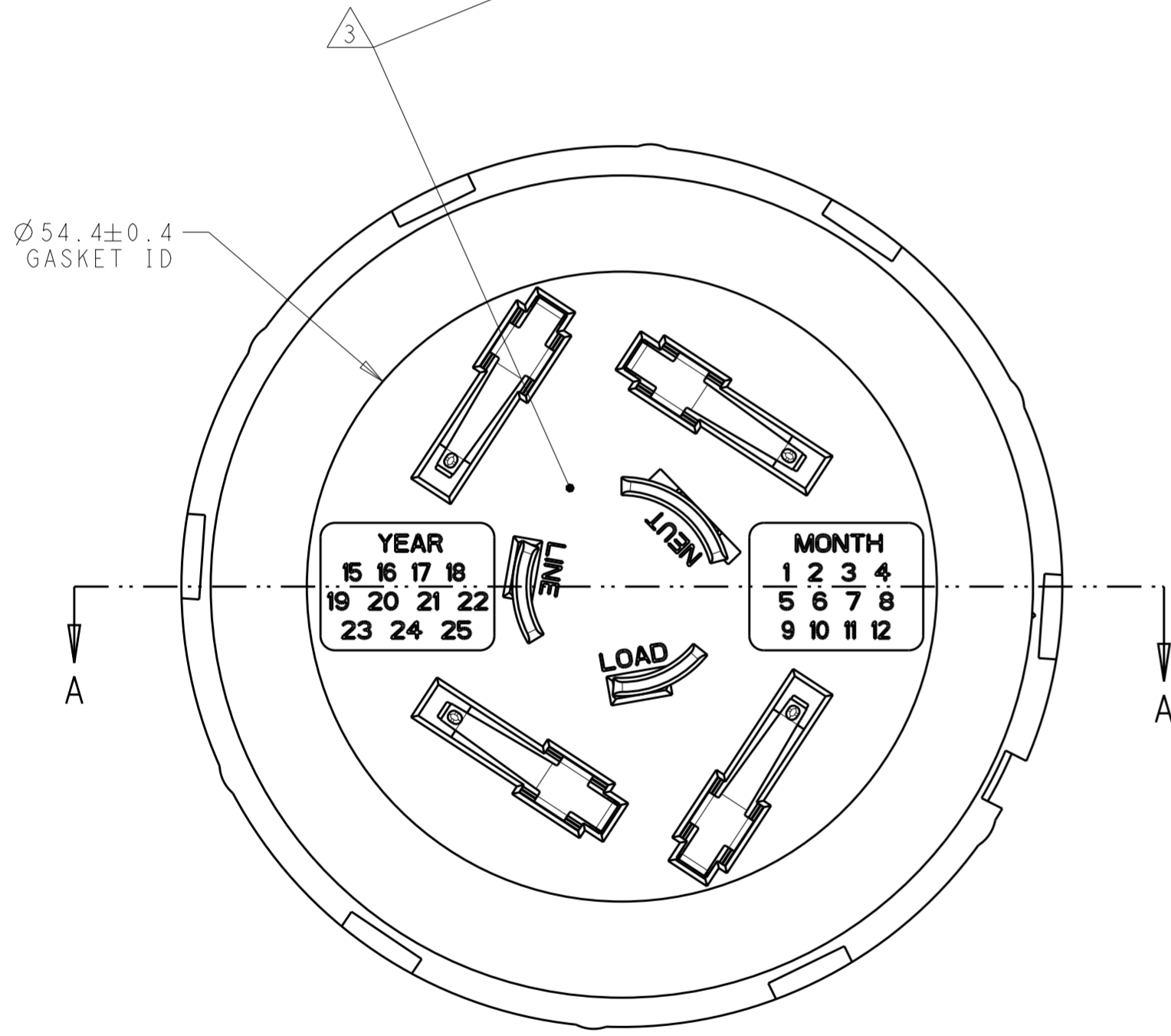
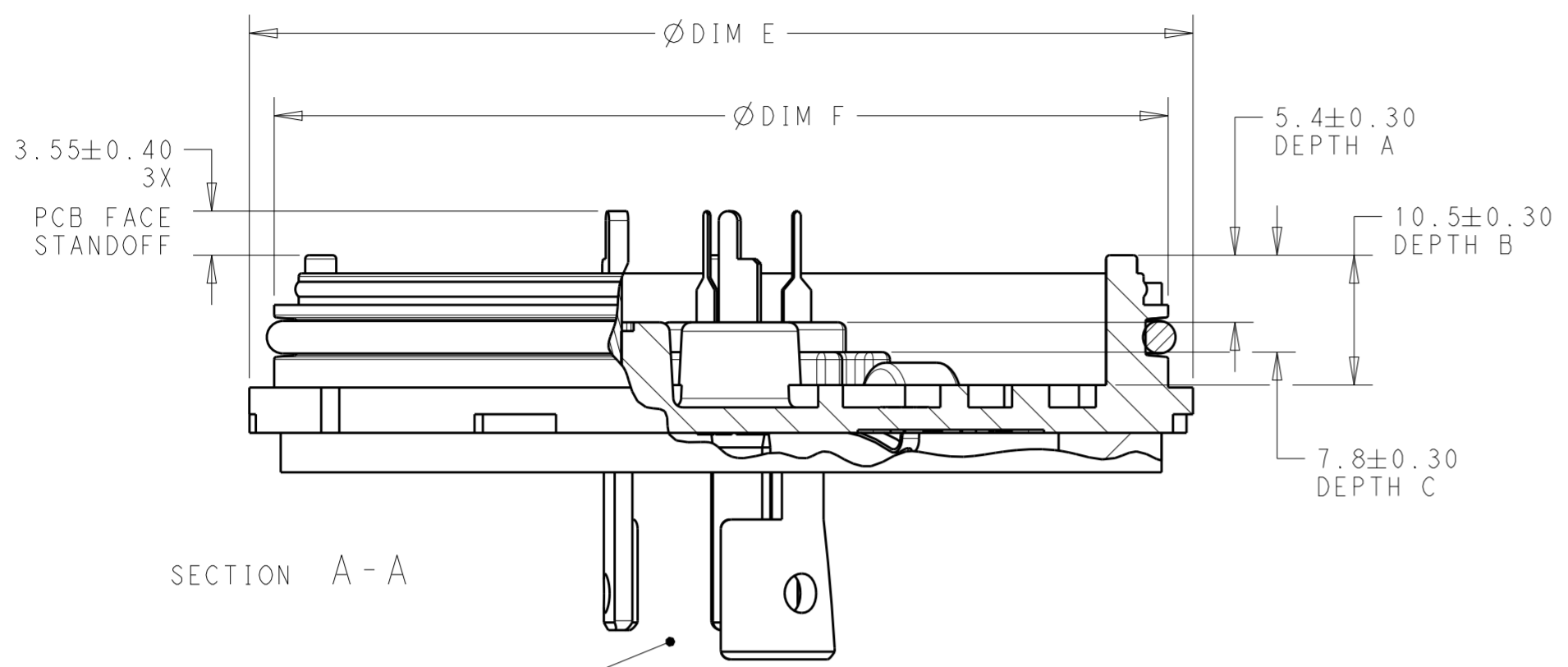
STE TE Connectivity

NAME: BASE ASSEMBLY, LIGHT CONTROLLER, SLEEVE COMPATIBLE

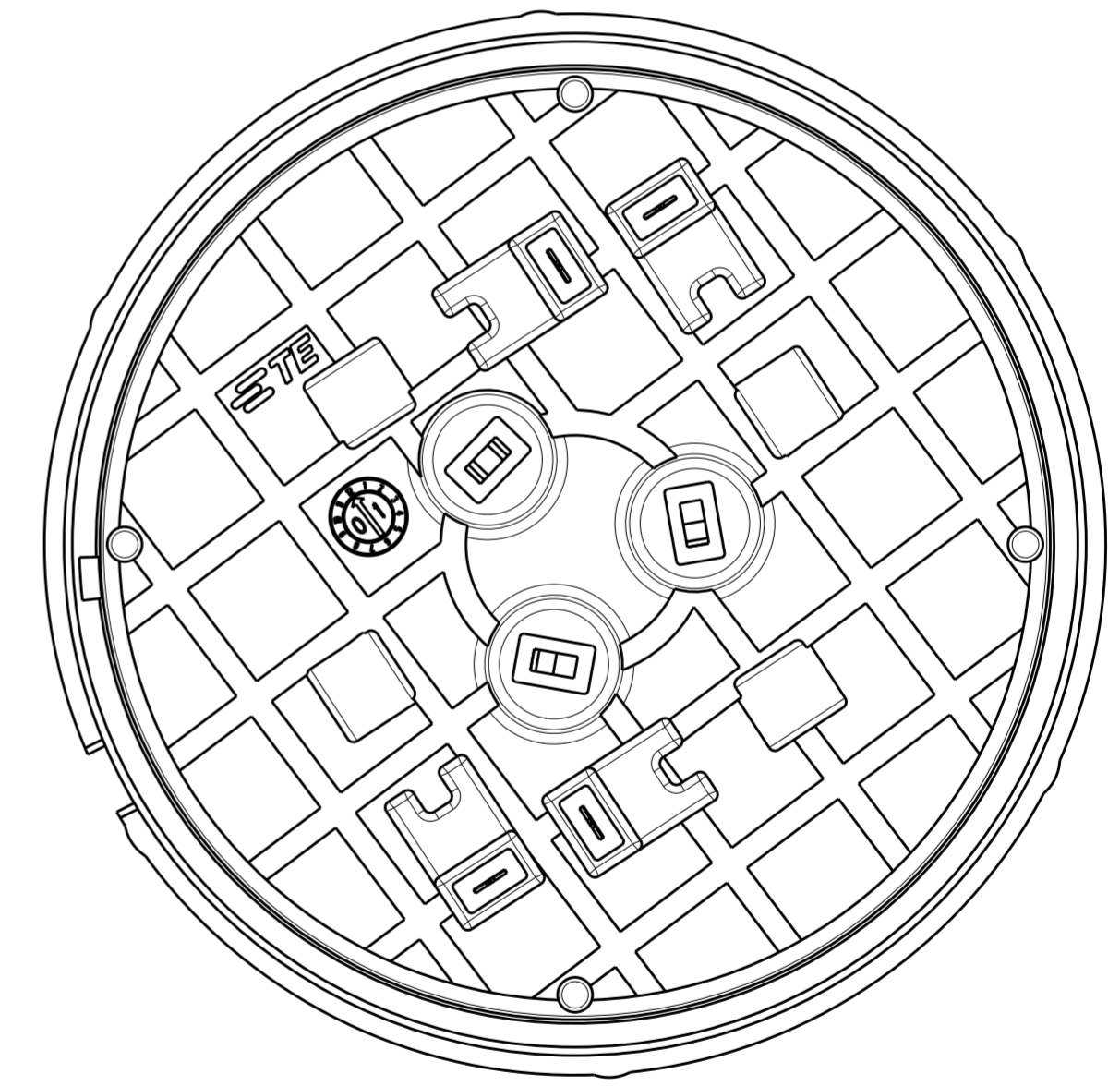
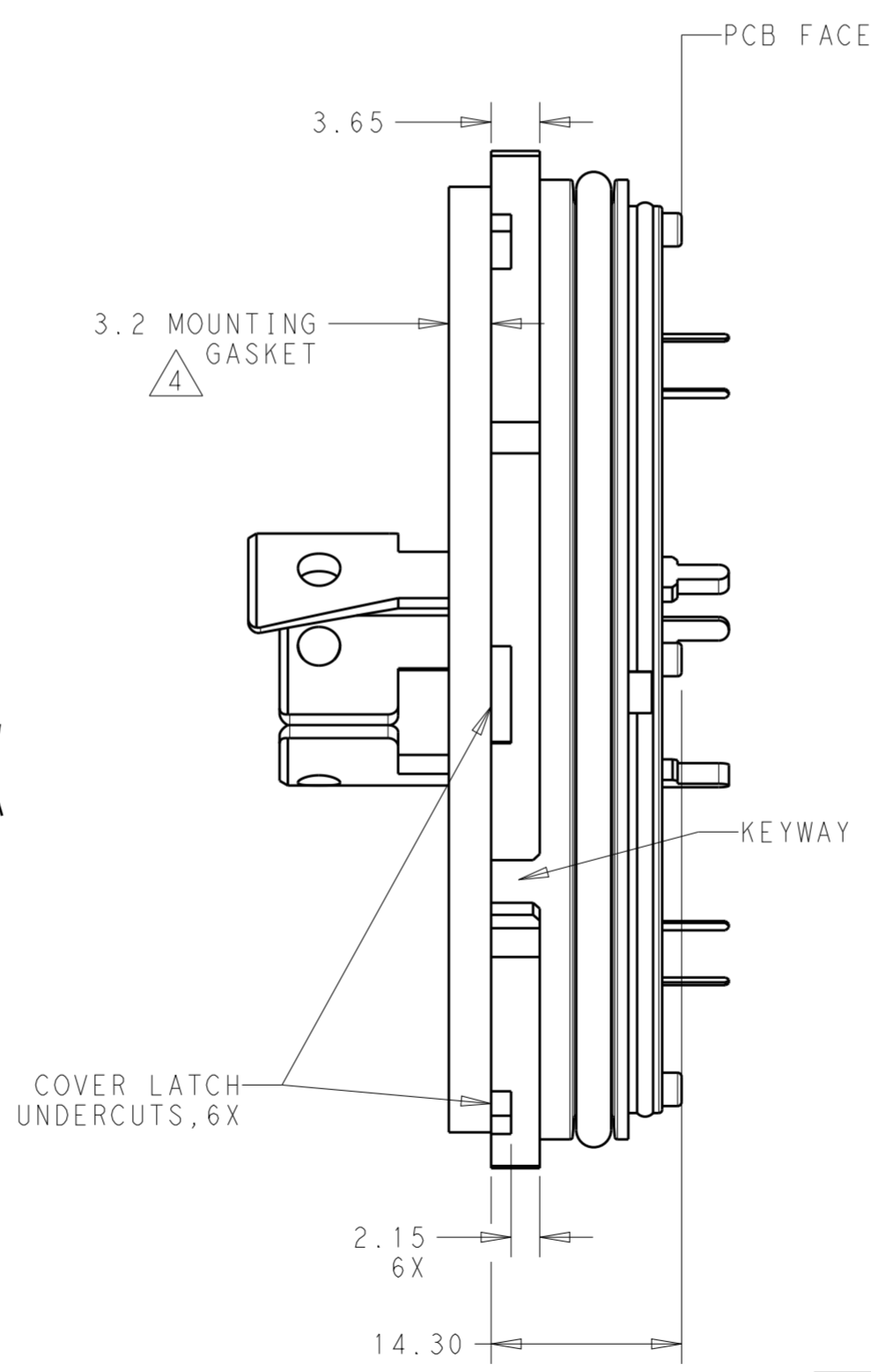
SIZE: A2 CAGE CODE: - DRAWING NO: C-2213871 RESTRICTED TO: -

THIS DRAWING IS UNPUBLISHED. RELEASED FOR PUBLICATION 20
 © COPYRIGHT 20 BY - ALL RIGHTS RESERVED.

REVISIONS				
P	LTR	DESCRIPTION	DATE	APVD
-	-	SEE SHEET 1	-	-



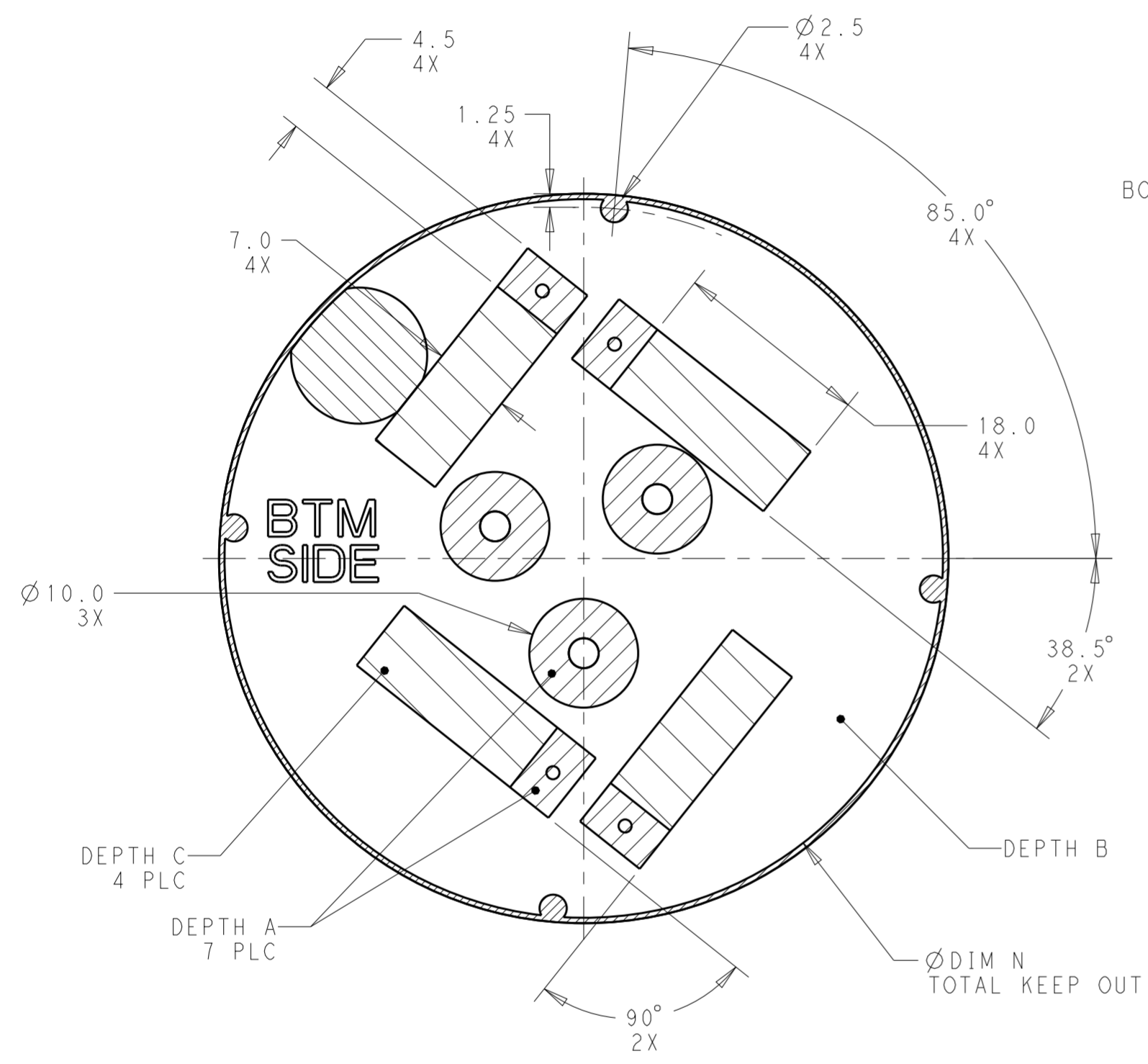
2213817-1 AND 2213871-2 SHOWN



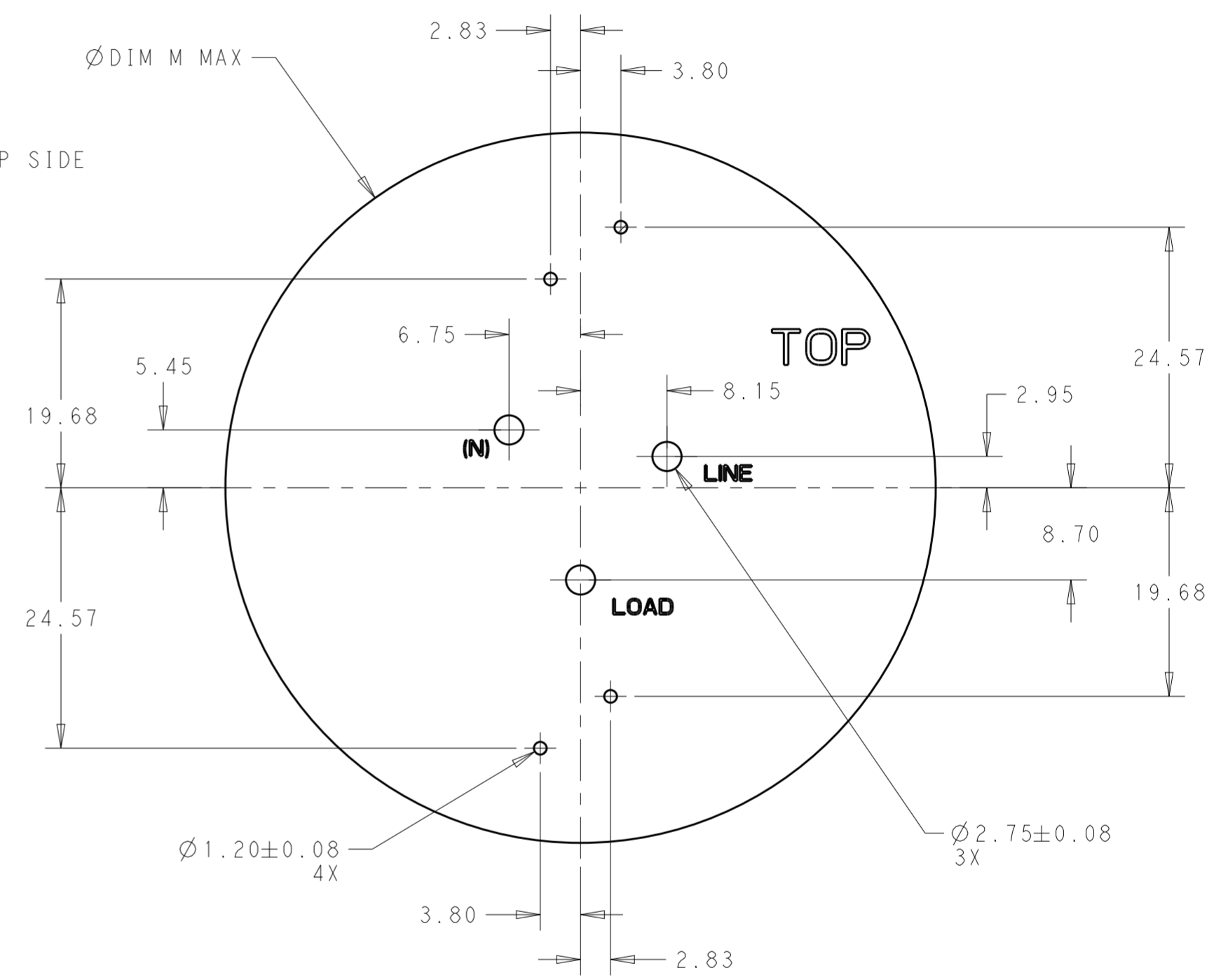
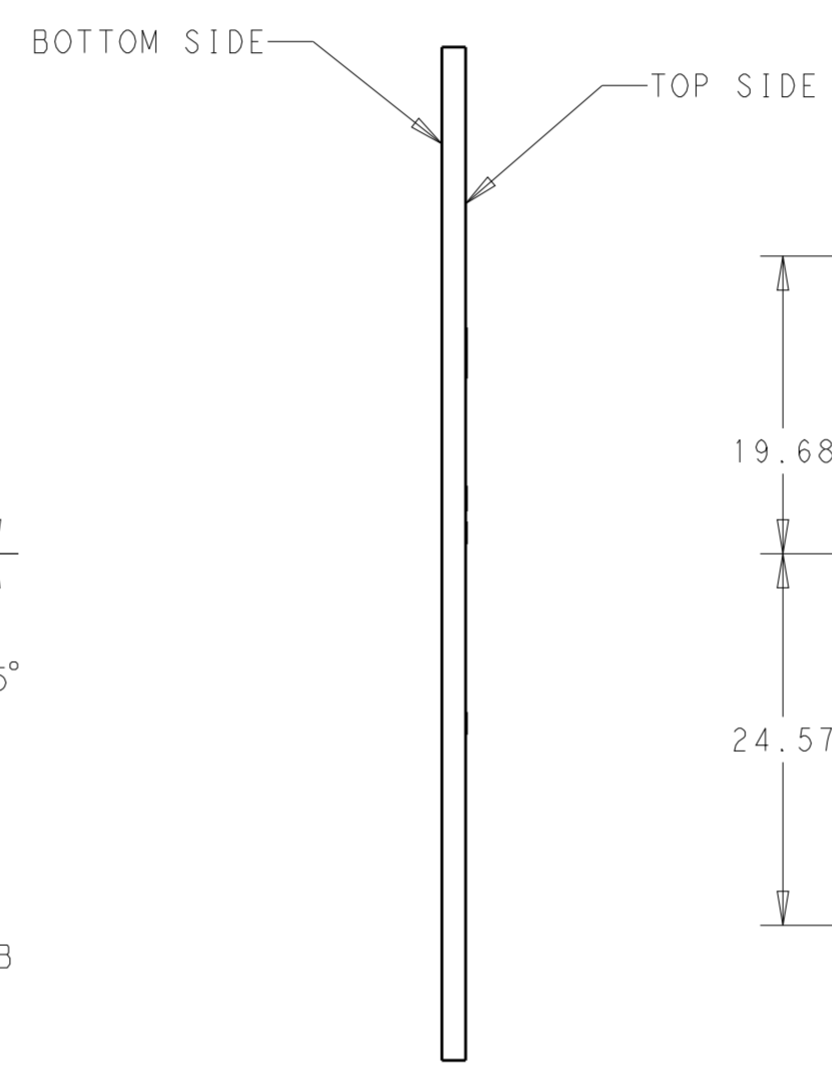
THIS DRAWING IS A CONTROLLED DOCUMENT.		DWN J. SHAFFER 23MAR2016	TE Connectivity	
		CHK E. HOWARD 23MAR2016		
DIMENSIONS:		APVD -	NAME BASE ASSEMBLY, LIGHT CONTROLLER, SLEEVE COMPATIBLE	
mm	TOLERANCES UNLESS OTHERWISE SPECIFIED:	PRODUCT SPEC 108-32125	SIZE A2	
	0 PLC ±	APPLICATION SPEC 114-32159	CAGE CODE -	DRAWING NO G-2213871
	1 PLC ±0.2	WEIGHT -	RESTRICTED TO -	
	2 PLC ±0.13	CUSTOMER DRAWING	SCALE 2:1	SHEET 2 OF 5
	3 PLC ±			REV A2
	4 PLC ±			
	ANGLES ±3°			
	FINISH			

THIS DRAWING IS UNPUBLISHED. RELEASED FOR PUBLICATION 20
 © COPYRIGHT 20 BY - ALL RIGHTS RESERVED.

REVISIONS				
P	LTR	DESCRIPTION	DATE	APVD
-	-	SEE SHEET 1	-	-



COMPONENT KEEP OUT AREAS

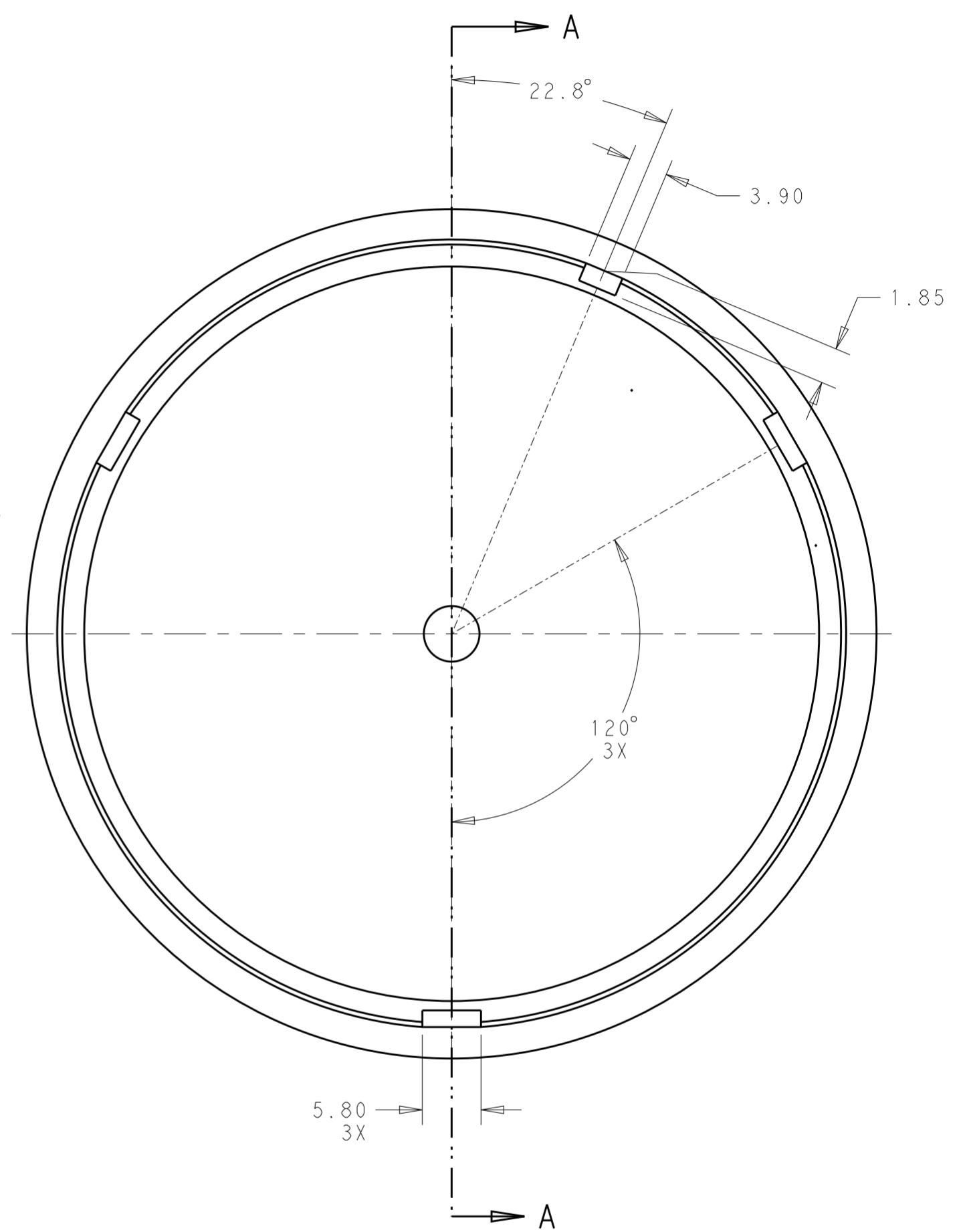
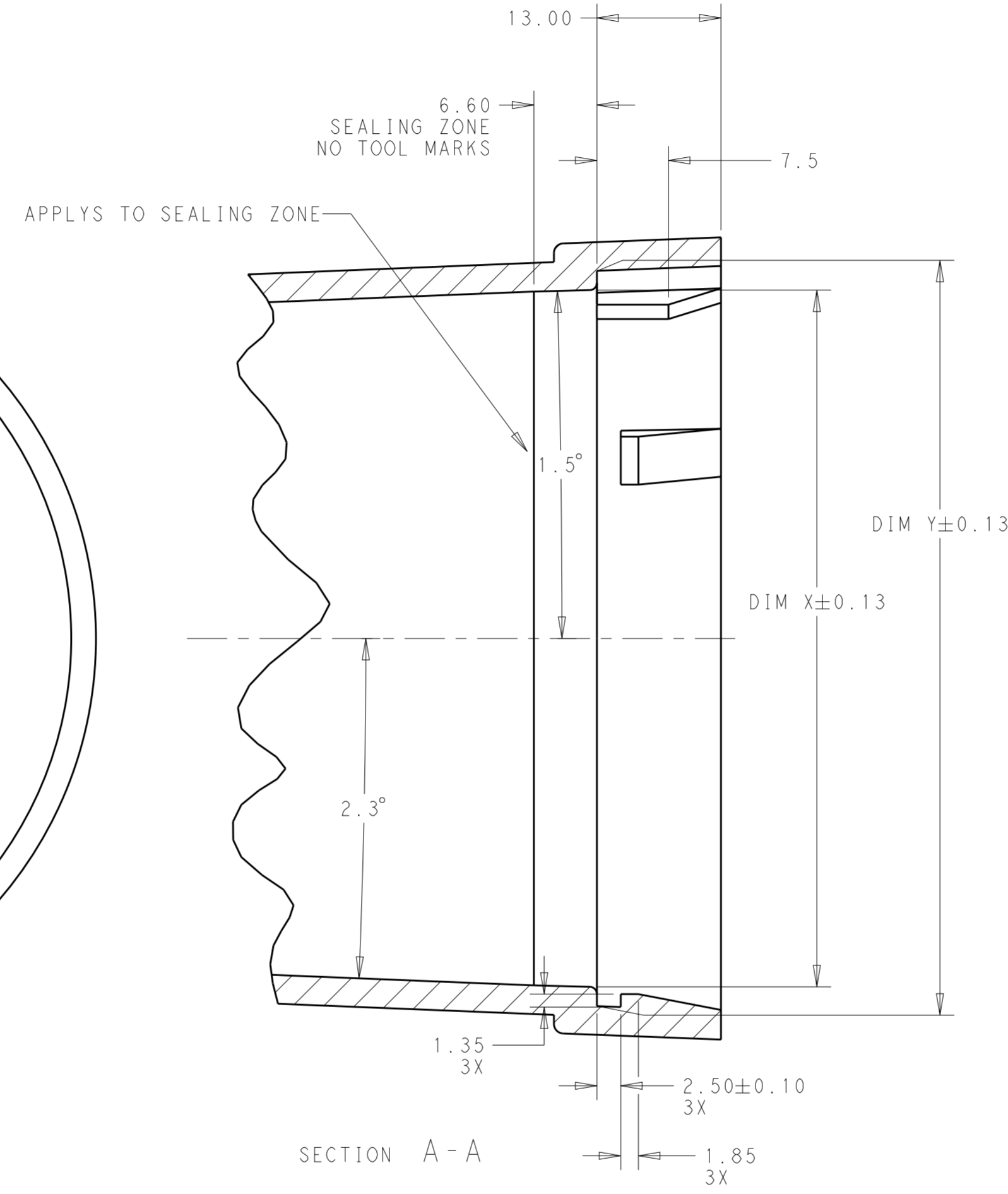
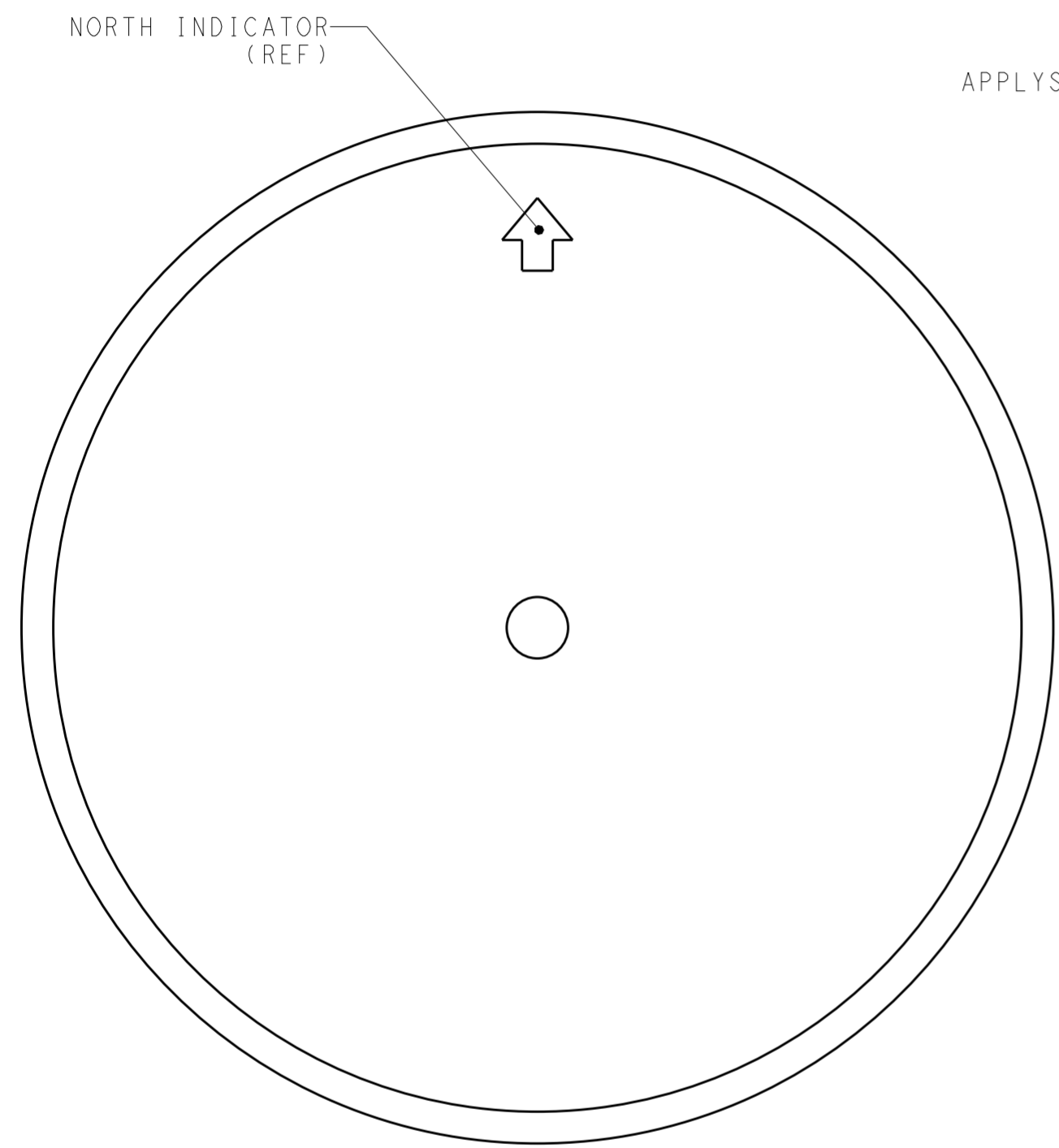


RECOMMENDED PCB SCALE 2:1

THIS DRAWING IS A CONTROLLED DOCUMENT.		DWN J. SHAFFER 23MAR2016	STE TE Connectivity	
		CHK E. HOWARD 23MAR2016		
DIMENSIONS: mm		APVD -	NAME BASE ASSEMBLY, LIGHT CONTROLLER, SLEEVE COMPATIBLE	
TOLERANCES UNLESS OTHERWISE SPECIFIED:		PRODUCT SPEC 108-32125	SIZE A2	
0 PLC ±	1 PLC ±0.2	APPLICATION SPEC 114-32159	CAGE CODE -	DRAWING NO. C-2213871
2 PLC ±0.13	3 PLC ±	WEIGHT -	RESTRICTED TO -	
4 PLC ±	ANGLES ±3°	CUSTOMER DRAWING	SCALE 2:1	SHEET 3 OF 5
MATERIAL -	FINISH -		REV A2	

THIS DRAWING IS UNPUBLISHED. RELEASED FOR PUBLICATION 20
 © COPYRIGHT 20 BY - ALL RIGHTS RESERVED.

REVISIONS				
P	LTR	DESCRIPTION	DATE	APVD
-	-	SEE SHEET 1	-	-

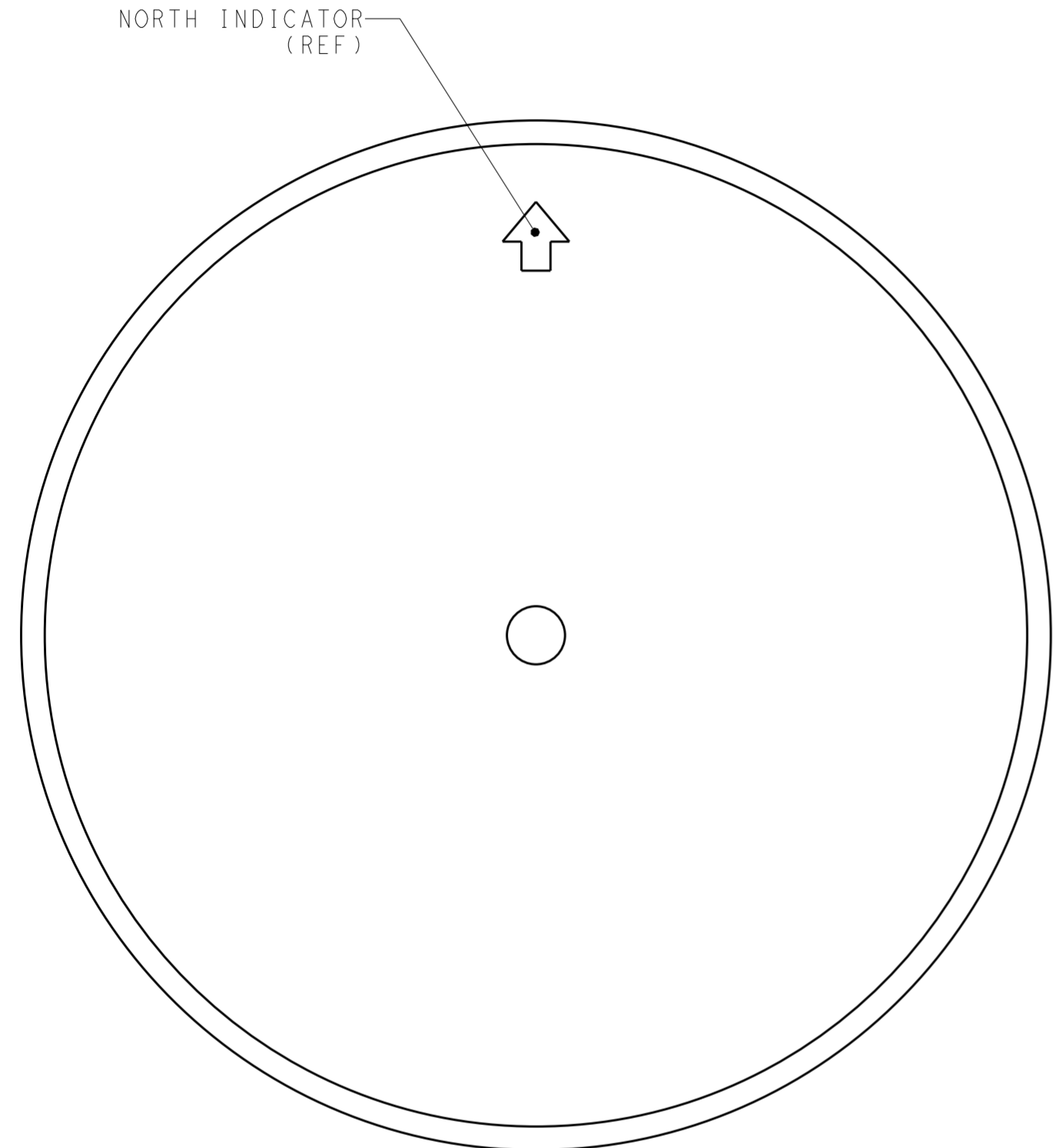


MATING COVER DIMENSIONS
 FOR
 76MM DIAMETER BASES
 (2213871-1, 1-2213871-1)

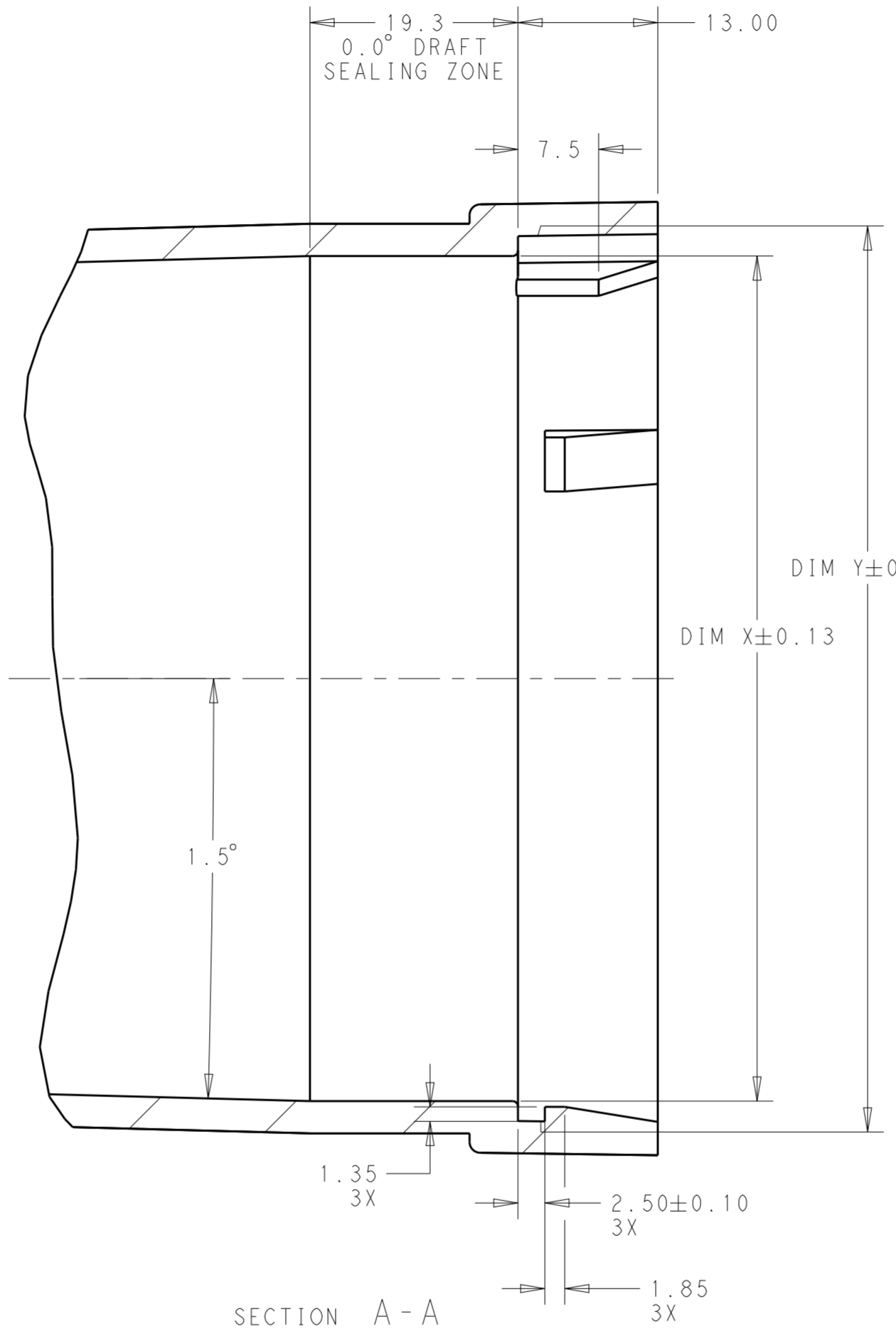
THIS DRAWING IS A CONTROLLED DOCUMENT.		DWN J. SHAFFER 23MAR2016	TE Connectivity	
		CHK E. HOWARD 23MAR2016		
DIMENSIONS: mm		TOLERANCES UNLESS OTHERWISE SPECIFIED: 0 PLC ± 1 PLC ±0.2 2 PLC ±0.13 3 PLC ± 4 PLC ± ANGLES ±3° FINISH -		NAME BASE ASSEMBLY, LIGHT CONTROLLER, SLEEVE COMPATIBLE
		PRODUCT SPEC 108-32125		SIZE A2
MATERIAL -		APPLICATION SPEC 114-32159		CAGE CODE -
		WEIGHT -		DRAWING NO C-2213871
		CUSTOMER DRAWING		RESTRICTED TO -
		SCALE 2:1		SHEET 4 OF 5
				REV A2

THIS DRAWING IS UNPUBLISHED. RELEASED FOR PUBLICATION 20
 © COPYRIGHT 20 BY - ALL RIGHTS RESERVED.

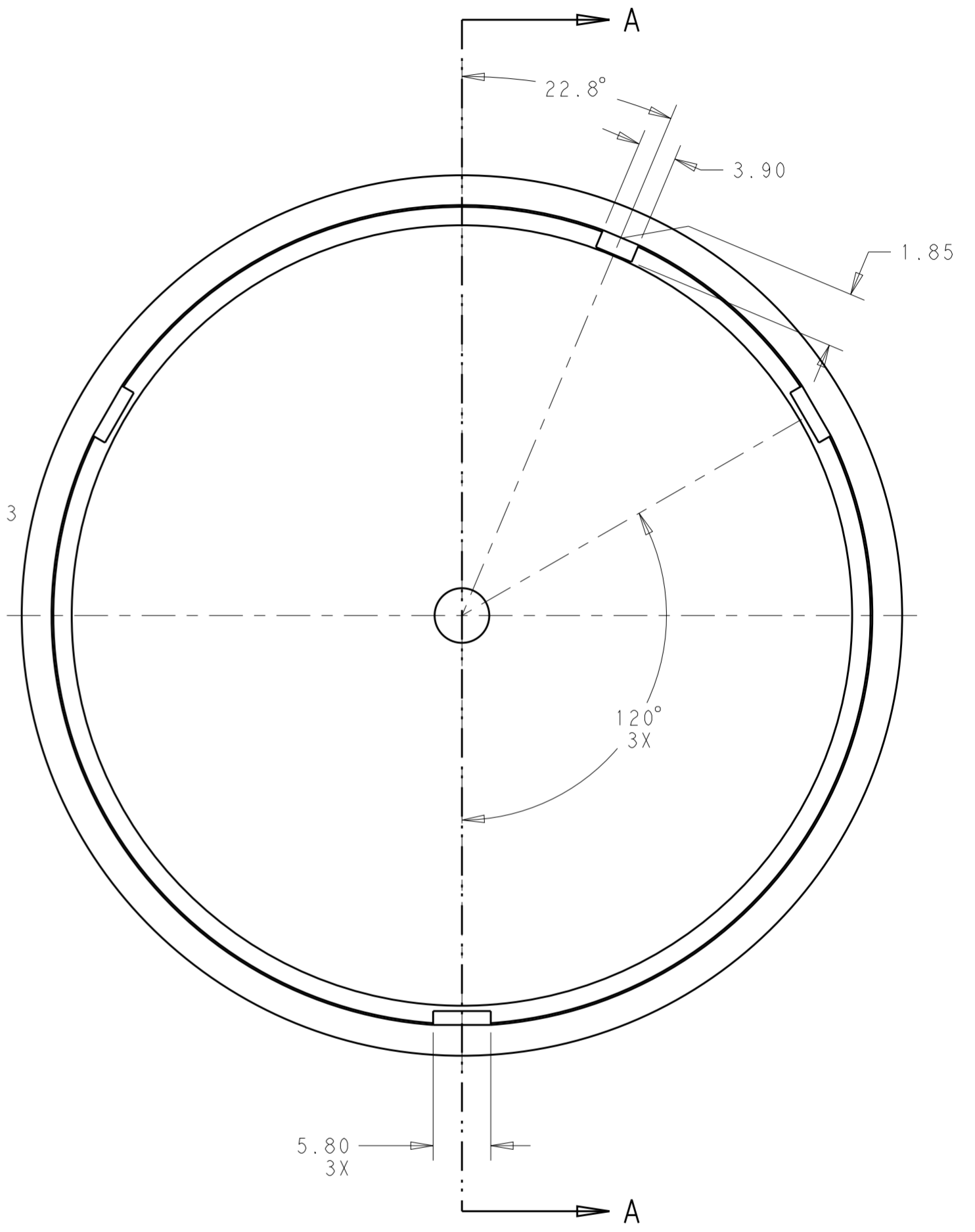
REVISIONS				
P	LTR	DESCRIPTION	DATE	APVD
-	-	SEE SHEET 1	-	-




SCALE 2:1



SECTION A - A



MATING COVER DIMENSIONS
 FOR
 81MM DIAMETER BASES
 (2213871-2, 1-2213871-2)

THIS DRAWING IS A CONTROLLED DOCUMENT.		DWN J. SHAFFER 23MAR2016	 TE Connectivity	
DIMENSIONS:		CHK E. HOWARD 23MAR2016		
mm	TOLERANCES UNLESS OTHERWISE SPECIFIED:	APVD -	NAME BASE ASSEMBLY, LIGHT CONTROLLER, SLEEVE COMPATIBLE	
0 PLC	±	PRODUCT SPEC	SIZE A2	
1 PLC	±0.2	108-32125	CAGE CODE -	
2 PLC	±0.13	APPLICATION SPEC	DRAWING NO C-2213871	
3 PLC	±	114-32159	RESTRICTED TO -	
4 PLC	±	WEIGHT -	SCALE 2:1	
ANGLES	±3°	CUSTOMER DRAWING	SHEET 5 OF 5	
FINISH	-		REV A2	