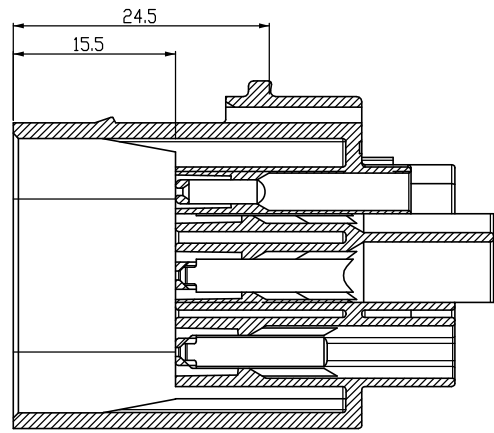
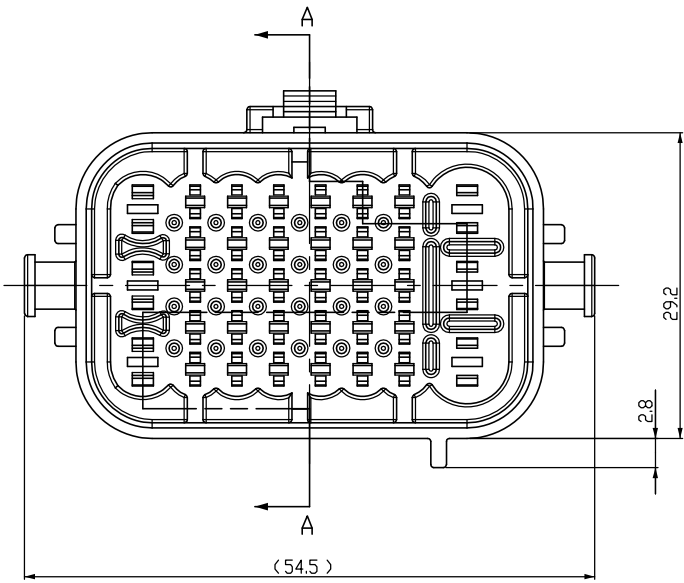
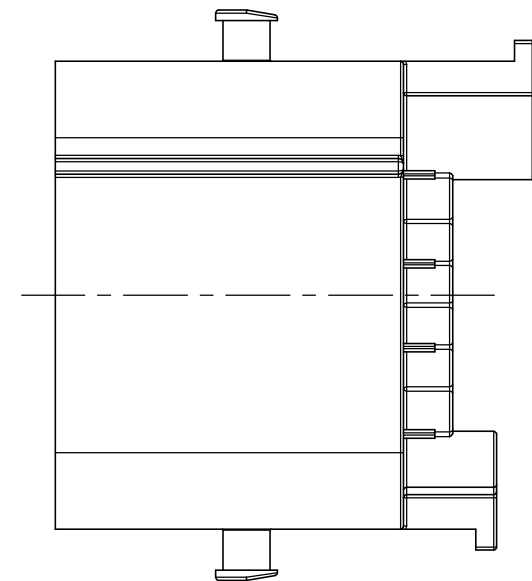
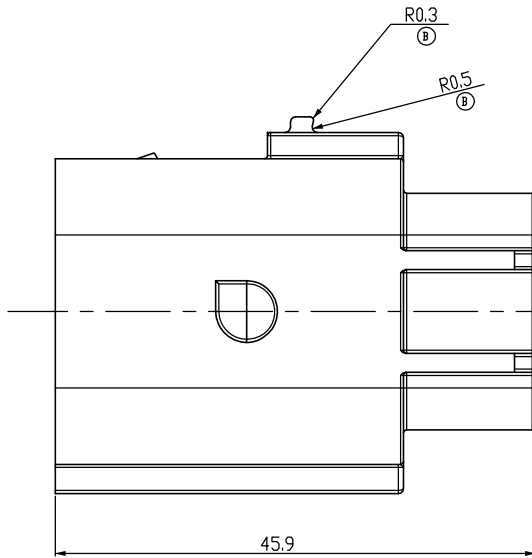
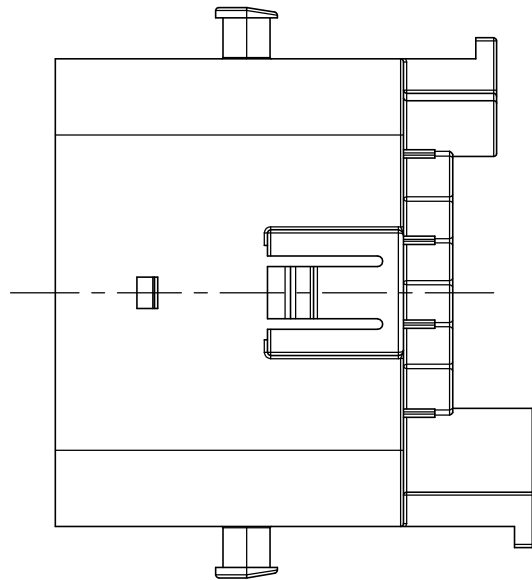


THIS DRAWING IS UNPUBLISHED. RELEASED FOR PUBLICATION  
 © COPYRIGHT BY TYCO ELECTRONICS CORPORATION. ALL RIGHTS RESERVED.

LOC	DIST	REVISIONS					
		P	LTR	DESCRIPTION	DATE	DWN	APVD
		C		REVISED (ECR-10-024983)	07/DEC/10	SJ	HG

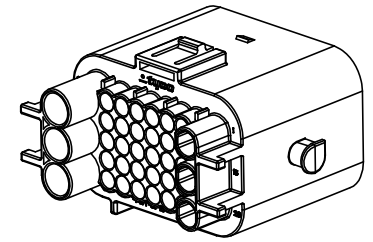
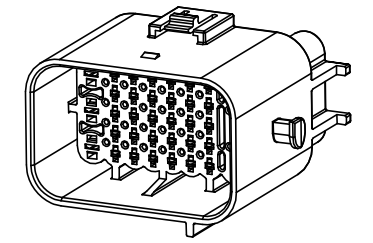


SECTION A-A

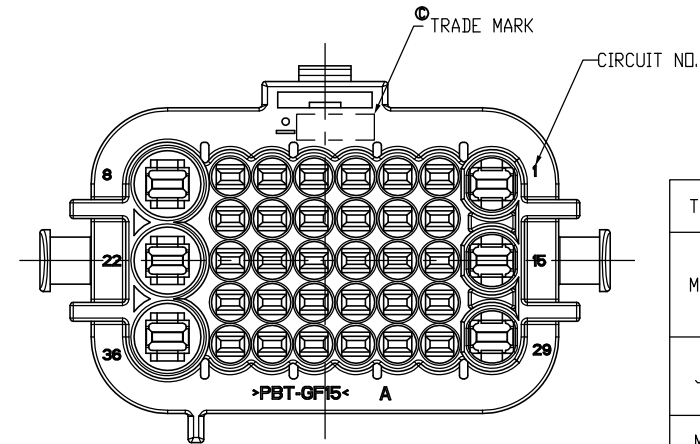


<TABLE 1>

TYPE	PART NO.	WIRE SIZE(mm <sup>2</sup> )	Insulation DIA(mm)	Applicable WIRE	FINISH
MTII	0-963902-1	0.2~0.5	1.15~1.6	AVSSXF 0.5 Max	CuSn4
	0-963902-3				CuSn4(GOLD)
	0-963904-1	0.5~1.0	1.4~2.1	AVSSXF 0.85 Max	CuSn4
	0-963904-3				CuSn4(GOLD)
JPT	1-962915-1	0.5~1.0	2.1 Max	AVSSXF 0.85 Max	CuSn4
	1-962915-3				CuSn4(GOLD)
	1-962916-1	1.5~2.5	3.0 Max	AVSS 2.0 Max or FLR 2.5 Max	CuSn4
	1-962916-3				CuSn4(GOLD)
MCP	1-968947-1	2.5~4.0	3.7 Max	AEXF 3.0 Max or FLR 4.0 Max	CuSn4



ISOMETRIC VIEW



<TABLE 2>

TYPE	WIRE SIZE(mm <sup>2</sup> )	PART NO.	WIRE INSULATION DIAMETER(mm)	COLOR
MTII	0.35~0.5	964971-1	1.2~1.6	RED
	0.5~0.75	963530-1	1.4~1.9	GRAY
	1.0	964972-1	1.9~2.1	YELLOW
		963531-1	CAVITY PLUG	WHITE
JPT	0.35~1.0	828904-2	1.2~2.1	BLUE
	1.5~2.5	828905-1	2.2~3.0	WHITE
		828922-1	CAVITY PLUG	NATURAL
MCP	2.5~4.0	828985-1	3.0~3.7	GREEN
		828986-1	CAVITY PLUG	BROWN

NOTE  
 1. GENERAL TOLERANCE: ±0.3, ±3°  
 2. DELIVERY CONDITION  
 3. APPLIED PLUG P/N: X-1743632-X  
 APPLIED WIRE COVER P/N: X-1743638-X  
 4. APPLICABLE TAB CONTACT P/N: TABLE 1  
 5. APPLICABLE WIRE SEAL P/N: TABLE 2

CAP HSG	1743636-2	PBT-GF15	BLACK
DESCRIPTION	P/N	MATERIAL	COLOR

THIS DRAWING IS A CONTROLLED DOCUMENT FOR TYCO ELECTRONICS CORPORATION. IT IS SUBJECT TO CHANGE AND THE CONTROLLING ENGINEERING ORGANIZATION SHOULD BE CONTACTED FOR THE LATEST REVISION.

DIMENSIONS: MM	TOLERANCES UNLESS OTHERWISE SPECIFIED	0 PLC ±	1 PLC ±	2 PLC ±	3 PLC ±	4 PLC ±	FINISH
3rd ANGLE PROJECTION	SEE TABLE	DWN SJ 041 CHK JW JUNG APVD HG 00 PRODUCT SPEC APPLICATION SPEC WEIGHT CUSTOMER DRAWING					
Tyco Electronics Tyco Electronics kyungsan, korea		NAME CAP HSG FOR MTII/JPT/MCP SEALED 36P CONN'R					
SIZE A2 CAGE CODE 00779 DRAWING NO. 1743636		RESTRICTED TO SCALE 2:1 SHEET 1 OF 1 REV C					